

Trickle Ventilation System

With today's emphasis on supplying airtight and insulated buildings, it is important to balance these needs with ventilation to help improve indoor air quality and reduce condensation.

The solution can be easily incorporated into your building design with the curtain wall sections including a 'trickle-ventilation' system at the intermediate horizontals. Fresh air from the exterior of the building, is allowed into the room while stale indoor air is allowed to escape, providing natural ventilation without the need of opening a window. It is 'sightless' from the exterior and does not affect the aesthetics of the exterior cladding system.

This highly successful design was first used with a curtain wall system from Texas Wall Systems (TWS) in Dallas, Texas on the MGM Grand Resort & Casino, Las Vegas. Since that original application, it has been installed in nearly all hotels in the Las Vegas area, including the Bellagio, Paris, Caesar's Palace and Aladdin Resort hotels and also many others worldwide. Titon and TWS are currently working with consultants and architects for future developments throughout the United States.

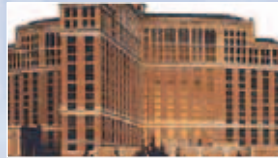
The vents can be sized to fit within many architectural designs and accommodates the finish and color requirements of the project to fully integrate without being intrusive.

For more information contact: Titon Inc. or TWS.

(TWS: Tel. (214) 340-7041 Email: info@tws-usa.com Web: www.tws-usa.com)



Typical Installation



Bellagio - Las Vegas



Aladdin Hotel - Las Vegas



Paris Hotel - Las Vegas

Features

- Original Trimvent design
- Large air opening
- Can replace small opening window in curtain walling systems
- Sightless from exterior
- Used in hotels all around the world
- Screens can be utilized if required
- Dual color capability - interior & exterior

Details

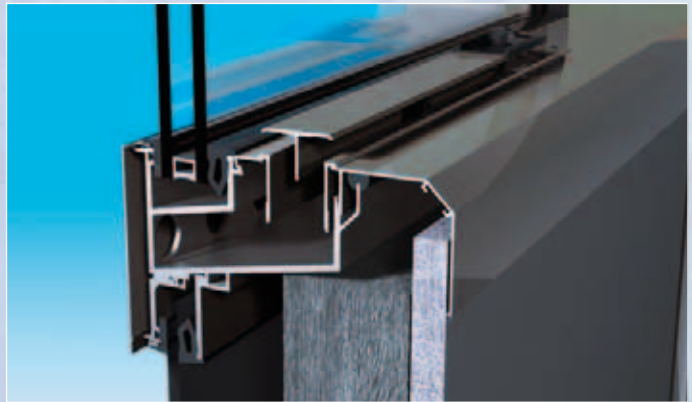
Product	Code	L	W	P* Closed - Open	Slot Size
TA833	SV522 Supervent	20 9/16"	1 1/2"	1/2" - 1"	17 7/8" x 1 1/4"
TA814	SV697 Supervent	27 7/16"	1 1/2"		24 3/4" x 1 1/4"
TA830	SV762 Supervent	30"	1 1/2"		27 5/16" x 1 1/4"
TA802	SV970 Supervent	38 3/16"	1 1/2"		35 1/2" x 1 1/4"
TA803	SV1100 Supervent	43 5/16"	1 1/2"		40 5/8" x 1 1/4"

P* dimension - add 1 3/16" for overall vent depth

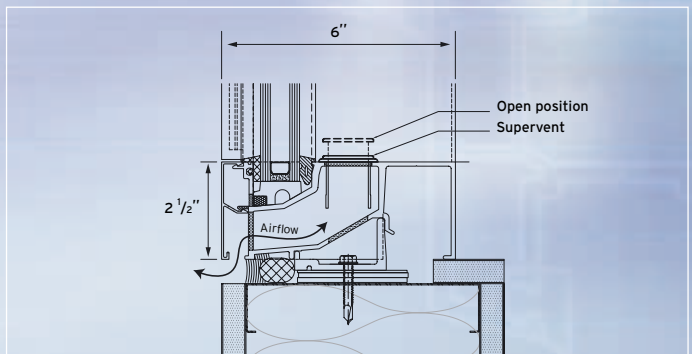
Product dimensions are conversions from actual metric dimensions. More detailed sizing is recommended using a sample of the product.



Supervent



Supervent cross section



Airflow through Supervent



Supervent