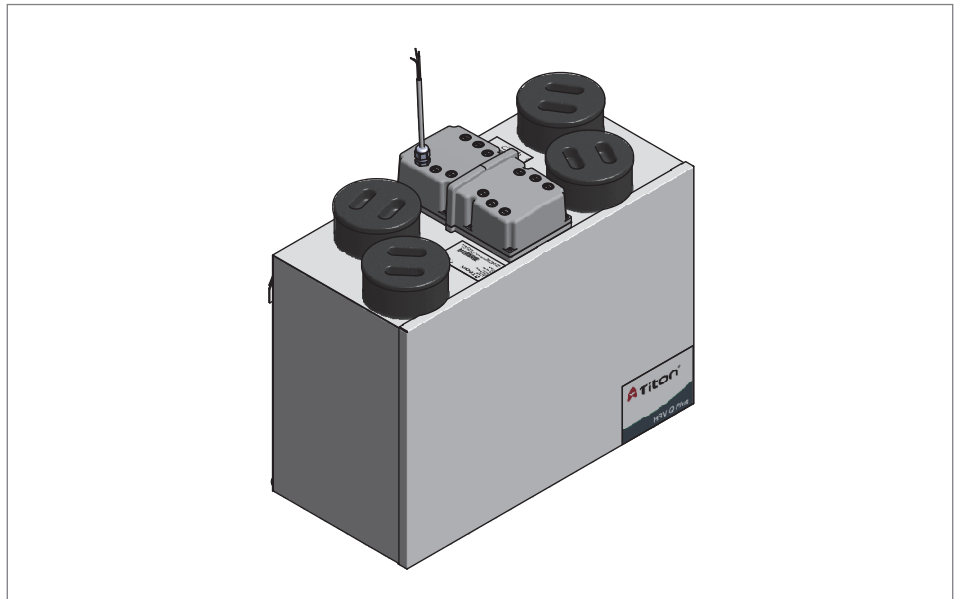


EU DECLARATION OF CONFORMITY

Product HRV1.35 Q Plus
Part Number TP 408A-544
Manufacturer Titon Hardware Limited
Address 894 The Crescent, Colchester Business Park, Colchester, Essex, CO4 9YQ, UK.

This declaration of conformity is issued under the sole responsibility of the manufacturer.

Product Type Mechanical Heat Recovery Ventilation Unit



This object of the declaration described above is in conformity with the relevant Union harmonised legislation:

Harmonised legislation:
Regulation (EU) 1253/2014
Regulation (EU) 1254/2014
2014/35/EU-Low Voltage Directive
2014/30/EU-Electromagnetic Compatibility Directive

Harmonised Standards:
BS EN 13141-7
BS EN 55014-1
BS EN 55014-2
BS EN 55022
BS EN 60335-1
BS EN 60335-2-80
BS EN 61000-3-2
BS EN 61000-3-4

Signed for and on the behalf of: Titon Hardware Limited
894 The Crescent, Colchester Business Park, Colchester, Essex, CO4 9YQ, UK.

Date: 12th Spetember 2017



Nick Howlett
Managing Director, Ventilation Systems



Lionel Holmes BSc (Hons) CEng MIET
Operations Director



Paul S Cowell BEng (Hons) CEng MCIBSE
Technical Director