

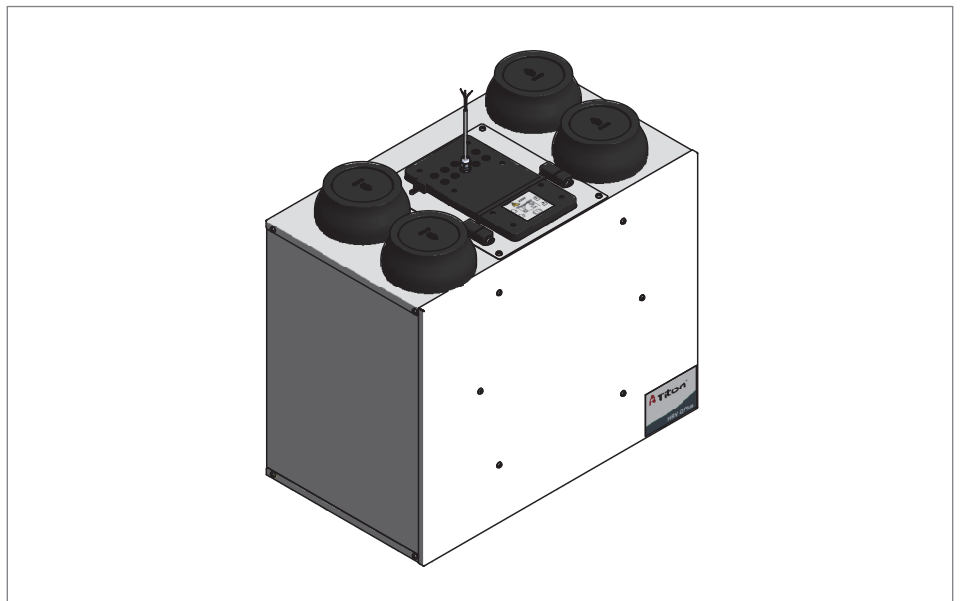
## EU DECLARATION OF CONFORMITY

---

Product HRV10M Q Plus A  
Part Number TP 441A-544  
Manufacturer Titon Hardware Limited  
Address 894 The Crescent, Colchester Business Park, Colchester, Essex, CO4 9YQ, UK.

This declaration of conformity is issued under the sole responsibility of the manufacturer.

Product Type Mechanical Heat Recovery Ventilation Unit



This object of the declaration described above is in conformity with the relevant Union harmonised legislation:

Harmonised legislation:  
Regulation (EU) 1253/2014  
Regulation (EU) 1254/2014  
2014/35/EU-Low Voltage Directive  
2014/30/EU-Electromagnetic Compatibility Directive

Harmonised Standards:  
BS EN 13141-7  
BS EN 55014-1  
BS EN 55014-2  
BS EN 55022  
BS EN 60335-1  
BS EN 60335-2-80  
BS EN 61000-3-2  
BS EN 61000-3-3

Signed for and on the behalf of: Titon Hardware Limited  
894 The Crescent, Colchester Business Park, Colchester, Essex, CO4 9YQ, UK.

Date: 12th Spetember 2017



Nick Howlett  
Managing Director, Ventilation Systems



Lionel Holmes BSc (Hons) CEng MIET  
Operations Director



Paul S Cowell BEng (Hons) CEng MCIBSE  
Technical Director