

# HRV10.25 Q Plus

Ultra energy efficient Heat Recovery Ventilation unit

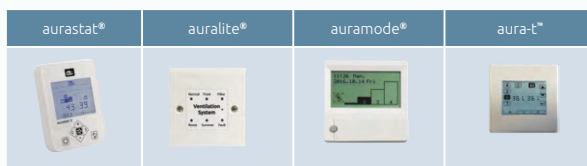
## For use in large sized dwellings

The HRV10.25 Q Plus continuously running whole-house ventilation unit with heat recovery has been specifically designed to give improved performance over older models, in line with new build design requirements.

Combining extremely low power consumption and a highly efficient heat exchanger specifically designed to enhance SAP performance via Appendix Q and can be incorporated into larger apartments or dwellings.

The Eco versions offer a 100% airflow diverting Summer Bypass, recognised and listed in the UK Product Characteristics Database. They also include intelligent humidity options and can be fitted with the auralite® status indicator, aura-t™ (HMB and B models), auramode® and aurastat® controllers (B models only).

MVHR



## Features & Benefits

- Extremely low Specific Fan Power; down to 0.39 W/l/s
- Highly efficient heat exchanger; up to 90%
- Airflow up to 144l/s (518 m³/h) at 100 Pa
- Lightweight EPP construction giving high levels of thermal insulation
- Accepts 150mm diameter ducting
- Independent fan adjustment
- Intelligent frost protection, stepped reduction of supply air rates prevents HRV unit from freezing
- Setback facility to reduce ventilation where local regulations allow
- Fully adjustable boost overrun timer 0-60 minutes; can be used with non-latching (momentary) switches to prevent unit from being accidentally left in boost mode
- Intelligent controller, quick and easy to commission
- EPP moulded 150mm low resistance insulated port adaptors included as standard
- EPP lightweight for easy handling
- Volt free switching control
- Pleated ISO Coarse 65% (G4) filters as standard
- Available in EPP or Zintec sheet steel casing
- Quick fix mounting bracket
- IP32 rating
- On board aura-t™ option
- Patented features
- Effective in reducing pollutants in the home and improving Indoor Air Quality (IAQ), therefore reducing the risk of Toxic Home Syndrome

## Eco Versions:

- Intelligent Summer Bypass & humidity controls
- SUMMERboost® facility

## Eco HMB Models:

- Compatible with auralite® (TP518) status indicator and aura-t™ controller

## Eco B Models:

- Compatible with Eco-aura range; aurastat®, auramode® and aura-t™ controllers and auralite® (TP519) status indicator
- Duct Pre-heater control (requires independent power supply)
- Enthalpy Heat Cell option available
- BMS compatible via RS485 (subject to limitations, additional software requirements and specification with any order)



## Product Codes

HRV10.25 Q Plus HMB Eco auralite® & aura-t™ ready - **TP442HMB** - Energy Rating A

HRV10.25 Q Plus B Eco-aura controls ready - **TP482B** - Energy Rating A  
**TP482BC** (Cold Climate) - Energy Rating A

HRV10.25M Q Plus HMB Eco auralite® & aura-t™ ready - **TP443HMB** - Energy Rating A

HRV10.25M Q Plus B Eco-aura controls ready - **TP483B** - Energy Rating A

### Filters:

**XP44023/099** - ISO Coarse 65% (G4) bypass filter set fitted as standard.

**XP46223/099** - ISO Coarse 65% (G4)/ISO ePM1 55% (F7) filters available on request.

## Standards

Conforms to requirements of UK statutory Building Regulations and Technical Standards for Ventilation and BRE 398.

SAP Appendix Q tested

Exceeds requirements of Building Regulations Approved Document L (England & Wales).

EU RoHS Directive compliant.

Conforms to requirements of EC council directives relating to Electromagnetic Compatibility and Electrical Safety:  
2006/95/EC (LVD), 2004/108/EC (EMC)  
EN 60335-1:2002/A2:2006, EN 60335-2- 80:2003/A1:2004.

CE Marked.

## Specification

**Dimensions:** HRV10.25 Q Plus - 790mm wide x 663mm high (excluding ports) x 484mm deep (495mm with mounting bracket). HRV10.25M Q Plus 800mm wide x 675mm high (excluding ports) x 470mm deep (481mm with mounting bracket)

**Weight:** HRV10.25 Q Plus – 18kg,  
HRV10.25M Q Plus – 37.5kg

**Finish:** HRV10.25 Q Plus – Black EPP,  
HRV10.25M Q Plus – White Paint

### Materials:

Housing: Expanded polypropylene (EPP), Heat Exchanger – Polystyrene, Internal Insulation – Closed cell foamed, Nitrile rubber, class 'O' fire rating, Standard filters: Grade ISO Coarse 65% (G4) pleated panel filters.

NB: Except HRV10.25M Q Plus

Housing – Zintec sheet steel, powder coated.

**Guarantee period:** 3 years (UK only)

**Electrical:** 230V ~ 50/60Hz, 5A fuse

**Installation:** Install in accordance with regulatory requirements, such as the Ventilation: Approved Document F and the Residential Ventilation Association recommendations.

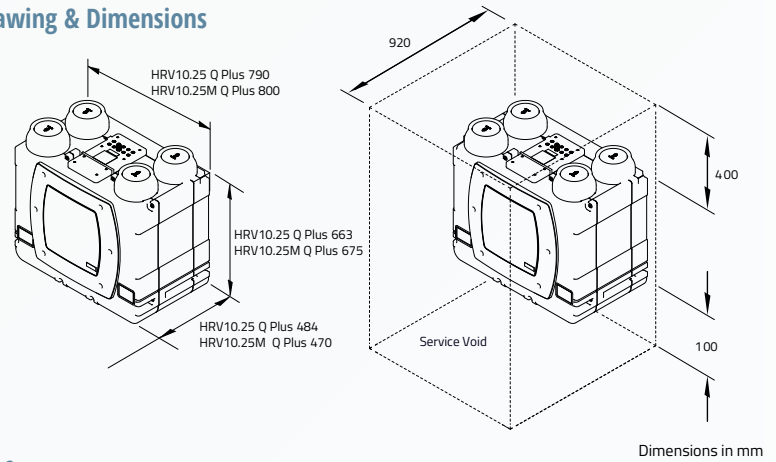
**Acoustics:** Full acoustic data available online [www.titon.com/acoustics](http://www.titon.com/acoustics).

## Acoustic Data

Product	% of Max flow	Airflow	dB(A) @ 3m Hemispherical			dB(A) @ 3m Spherical
			Induct Inlet	Induct Outlet	Casing Breakout	Casing Breakout
HRV10.25 Q Plus	39%	56l/s @ 12Pa	32	47	35	32
	66%	95l/s @ 44Pa	43	62	45	42
	100%	144l/s @ 100Pa	48	70	54	51
HRV10.25M Q Plus	39%	56l/s @ 12Pa	32	47	30	27
	66%	95l/s @ 44Pa	43	62	39	36
	100%	144l/s @ 100Pa	48	70	49	46

For full frequency acoustic data at various speeds please see [www.titon.com](http://www.titon.com). All acoustic data is third party tested at Sound Research Laboratories (SRL) Ltd.

## Drawing & Dimensions



Dimensions in mm

## Performance

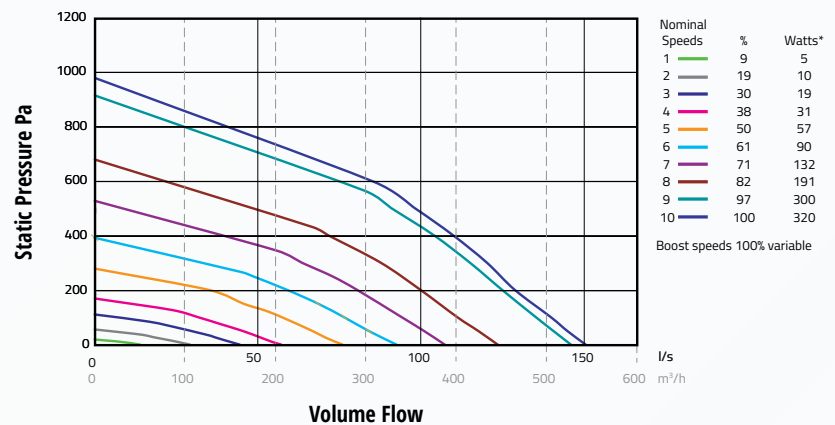
The figures and compliance levels below relate to current SAP requirements. Revised SAP guidance will have an effect on performance and up-to-date figures can be found on the relevant product page at [www.titon.com](http://www.titon.com).

Exhaust terminal configuration*	Fan speed setting	2009		2012	
		SFP (W/l/s)	Heat exchange efficiency (%)	SFP (W/l/s)	Heat exchange efficiency (%)
Kitchen + 1 additional wet room	100% variable	0.41	90%	0.43	90%
Kitchen + 2 additional wet rooms	100% variable	0.39	90%	0.46	88%
Kitchen + 3 additional wet rooms	100% variable	0.43	88%	0.54	87%
Kitchen + 4 additional wet rooms	100% variable	0.48	87%	0.65	86%
Kitchen + 5 additional wet rooms	100% variable	0.55	87%	0.79	85%
Kitchen + 6 additional wet rooms	100% variable	0.64	86%	0.96	84%
Kitchen + 7 additional wet rooms	100% variable	0.75	85%	1.16	83%

Figures taken from the BRE Test Results.

\*Number of wet rooms is based on SAP Q test criteria and does not correlate directly with regulatory performance requirements.

## Nominal Fan Performance



\*@FID (0 Pa)

100% variable speed control. Performance curves for Eco version.