

# Maco Offset

## Multipoint locking systems

Suitable for:

PVCu



ALUMINIUM



TIMBER



### Multipoint locking espagnolette for side hung or top hung applications with adjustable mushroom cams.

The gearbox is offset, suitable for profiles with or without a eurogroove, the Maco Offset Espagnolette is available in various non croppable lengths with two backsets and two cam heights.

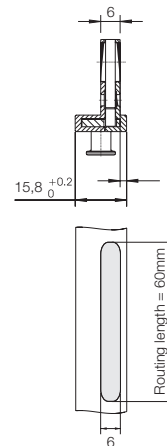
The Maco Offset Espagnolette is compatible with all standard espagnolette handles with 43mm fixing centres with a 7mm square spindle.



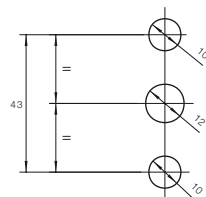
### Features and Benefits

- Suitable for use on windows with or without a 16mm eurogroove
- Mushroom head cams aid security
- Adjustable locking cams
- Can be fitted in a eurogroove
- 7.7mm or 9mm cam heights
- 20mm and 25mm backset versions available
- Available in sizes ranging from 310mm to 1200mm
- Keeps/striker plates are profile related, please phone for suitability

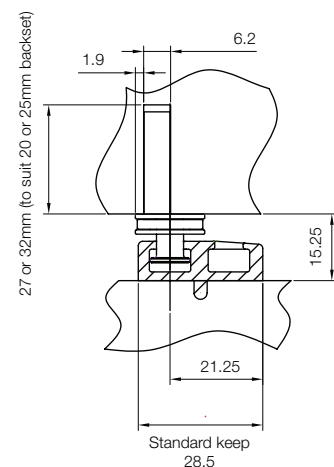
### Lockcase routing detail



### Handle Fixing detail



### Profile detail



## Maco Offset Espagnolette – 20mm backset version

Length	7.7mm Mushroom Height	9mm Mushroom Height
310	MA 57151	MA 57157
400	MA 57152	MA 57158
600	MA 57153	MA 57159
800	MA 57154	MA 57160
1000	MA 57155	MA 57161
1200	MA 57156	MA 57162

## Maco Offset Espagnolette – 25mm backset version

310	MA 57163	MA 57169
400	MA 57164	MA 57170
600	MA 57165	MA 57171
800	MA 57166	MA 57172
1000	MA 57167	MA 57173
1200	MA 57168	MA 57174

### Size capacity

310 to 1200mm espagnolette lengths

### Manufactured from

Mild steel

### Finish

Silver Chromate

### Recommended screws

Espagnolette/Shootbolt – 4mm/No.8 countersunk head  
Handle fitting – M5 machine screw or suitable alternative

### Performance

Full test details available on request.) Conforms to BS644, BS4873 and BS 7412: 2002 corrosion resistance, tested in accordance with BS EN 1670: 2007 Grade 5 Silver Chromate

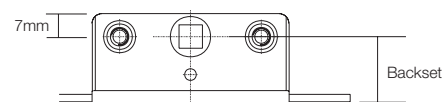
### When ordering please specify:

1. Espagnolette type
2. Sash size (preferably espagnolette length)
3. Backset size
4. Cam size
5. Profile name and number

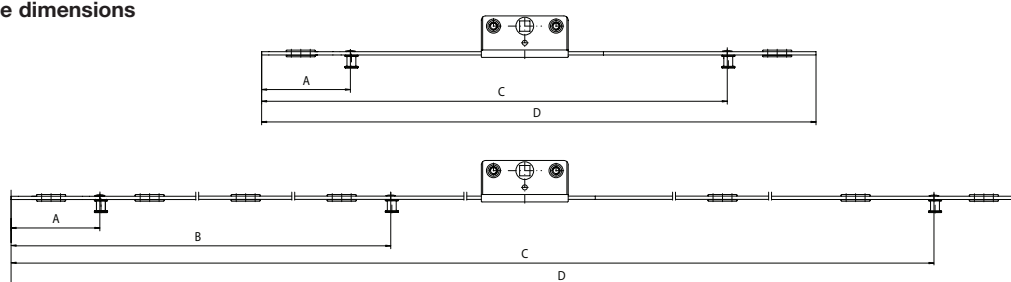
### More information

enquiries@titon.co.uk / 01206 713801

#### Lockcase dimensions



#### Espagnolette dimensions



Length	BS	A - mm	B - mm	C - mm	D - mm
310	20mm	61	N/A	230	291
400	20mm	61	N/A	320	381
600	20mm	61	N/A	520	581
800	20mm	61	N/A	720	781
1000	20mm	61	346	920	981
1200	20mm	61	446	1120	1181

Length	BS	A - mm	B - mm	C - mm	D - mm
310	25mm	61	N/A	230	291
400	25mm	61	N/A	320	381
600	25mm	61	N/A	520	581
800	25mm	61	N/A	720	781
1000	25mm	61	346	920	981
1200	25mm	61	446	1120	1181