

SF Xtra Vent

Surface mounted ventilator



SF Xtra Ventilator

Suitable for:

- PVCu ✔
- ALUMINIUM ✔
- TIMBER ✔

The SF Xtra is a high performance, surface mounted aluminium slot ventilator. It is the shortest vent available to provide 5000mm² EA. This product is equally suitable for domestic and non-domestic applications.

There are two width variants, one for use over a 13mm slot, the other for a 16mm slot. The SF Xtra is also available in made-to-measure sizes or bar length for self-assembly.

All versions can be used with either a plastic or aluminium canopy.



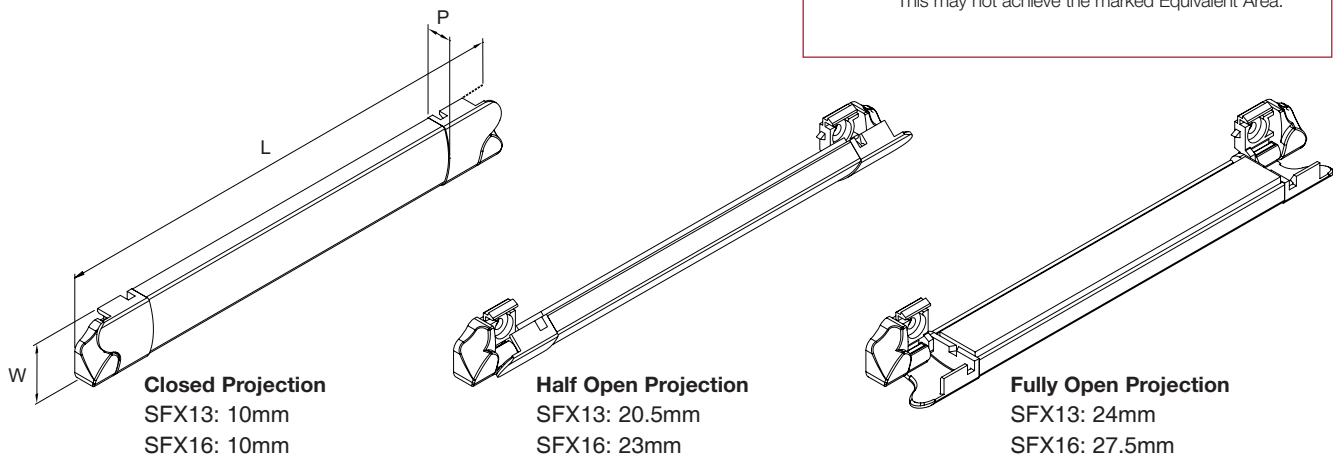
SF Canopy

Features and Benefits

- Shortest vent available to provide 5000mm² EA*
- Simple construction to aid painting, self-assembly & fitting
- High performance gasket combined with compression closing action improves sealing in adverse conditions
- For use over a 13 or 16mm slot
- Ideal for retrofit applications, over a slot or series of holes**
- Ideal for use in non-domestic installations
- Available in bar length for cutting to size by customer (details on request)
- Bar length product available in mill finish for customer painting
- Special paint finishes available
- When specified correctly complies with Building Regulations
- Can be mounted to deflect air upwards or downwards

* This vent is designed for use where no protection from weathering required or for ventilation of a habitable room through another room or conservatory.

** This may not achieve the marked Equivalent Area.



Product 13mm Slot Width	Product Code	(L) Length	(W) Width	(P) Projection Closed-Open	EA (mm ²)	Free Area (mm ²)	Slot Detail / Free Area of Slot (mm ²)
SFX 13 2500EA Vent 294mm	TA7831	294	23	10 - 24	2500	2863	223
SF 318 Canopy	TA5010	318	23	27		3775	13
SFX 13 2500EA Vent 294mm	TA7831	294	23	10 - 24	2500	2863	223
XC13 Canopy (plastic)	TS2132040	270	18	32.5		3003	13
SFX 13 2500EA Vent 253mm	TA7837	253	23	10 - 24	2500	2485	194
SFX 205 Plastic Clip Fix canopy	TA7821	203	18	36.5		2442	13
SFX 13 4000EA Vent 434mm	TA7833	434	23	10 - 24	4000	4438	173.5 20 173.5
SF418 Canopy	TA5005	418	23	27		5423	13
SFX 13 4000EA Vent 434mm	TA7833	434	23	10 - 24	4000	4438	173.5 20 173.5
XC13 412 Canopy (plastic)	TS2134040	411	18	32.5		5027	13
SFX 13 4400EA Vent 420mm	TA7839	420	23	10 - 24	4400	4568	178.5 10 178.5
XC13 412 Canopy (plastic)	TS2134040	411	18	32.5		5027	13
SFX 13 4400EA Vent 420mm	TA7839	420	23	10 - 24	4400	4568	178.5 10 178.5
XC13 412 Plastic Clip Fix Canopy	TS2134041	411	18	32.5		4809	13
SFX 13 5000EA Vent* 400mm	TA7832	400	23	10 - 24	5000	4218	165 10 165
SFX 13 5000EA Vent 465mm	TA7838	465	23	10 - 24		4737	185 10 185
HF441 Canopy	TA6054	441	24	36.5	5000	6763	13
SFX 13 5000EA Vent 465mm	TA7838	465	23	10 - 24		5340	198 10 198
SFX418 Plastic Clip Fix Canopy	TA7841	418	18	36.5	5000	5714	13
SFX 13 5500/6000EA Vent	TA7834	529	23	10 - 24		5517	215 13 215
XC13 497 Canopy Screw Fix	TS2135040	497	18	32.5	5500	6258	13
SFX 13 5500/6000EA Vent	TA7834	529	23	10 - 24		5517	230 10 230
HF529 Canopy	TA6058	529	24	36.5	6000	6601	13

*This vent is designed for use where no protection from weathering required or for ventilation of a habitable room through another room or conservatory.

Product 16mm Slot Width	Product Code	(L) Length	(W) Width	(P) Projection Closed-Open	EA (mm ²)	Free Area (mm ²)	Slot Detail / Free Area of Slot (mm ²)
SFX 16 4000EA Vent 374mm	TA7861	374	27	10 - 27.5	4000	4722	151 10 151
HF404 Canopy	TA6059	404	24	6.5		6145	16
SFX 16 4000EA Vent 374mm	TA7861	374	27	10 - 27.5	4000	4722	151 10 151
XC16 364 Canopy (plastic)	TS2164040	364	22	32.5		4990	16
SFX 16 6000EA Vent 419mm	TA7862	419	27	10 - 27.5	6000	5500	360
HF404 Canopy	TA6059	404	24	36.5		6145	16

Manufactured from

Aluminium 6063A T6, component parts POM

Recommended screws

3.5mm (No.6) Round Head or equivalent

Standards

Tested in accordance with BS EN 13141-1:2004

Finishes

Suffix product code with: -020 (white), -023 (brown)

Brown vents fitted with black end caps

Other colours available contact sales for details

Performance

(Full details available on request)

Equivalent Area – See above

Free Area – See above

Air Leakage (m³/hr @ 50Pa) – 0.11m³/hr @ 50Pa (SFX 4000EA version)

Water Resistance (Pa) – 750Pa

Acoustic D_{n,e,w}

- 13mm slot version – vent open 32 (-1;0), vent closed 52 (-2;-4)

- 16mm slot version – vent open 32 (0;0), vent closed 55 (-1;-4)

** For optimum performance the ventilator should be installed on a flat surface free from defects

More information

enquiries@titon.co.uk / 01206 713801