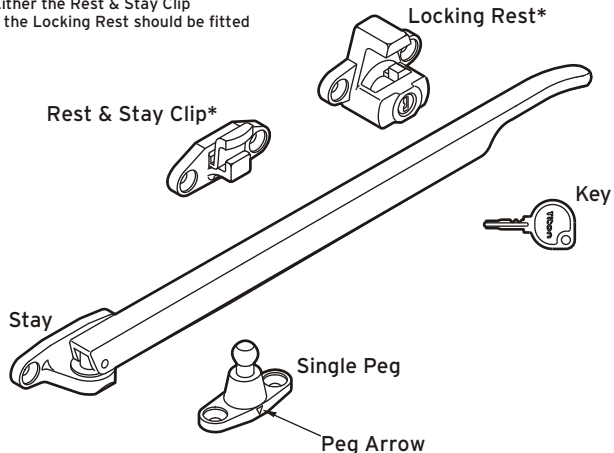


Parts & Accessories

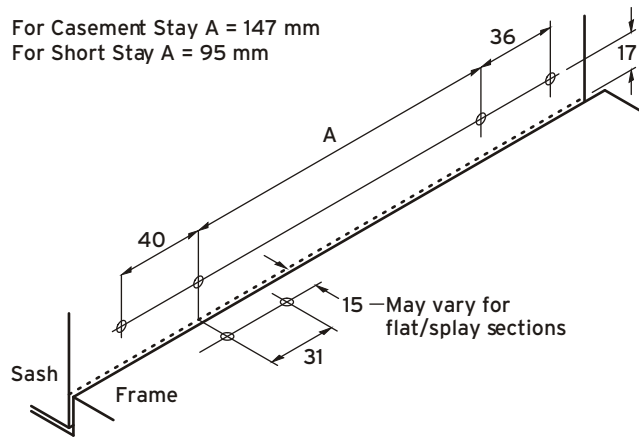
* Either the Rest & Stay Clip
or the Locking Rest should be fitted



Do not clean any part of these fittings with solvents or abrasive substances.

Fixing Details

For Casement Stay A = 147 mm
For Short Stay A = 95 mm



* All dimensions in mm

The recommended screws are No.8 Countersunk Head.

The arrow side on the Single Peg should face away from glass, except on a flat sill.

Adequate protection of these fittings is advised when decorating to prevent paint or plaster etc. fouling the moving parts.