

# Select Casement Stay

Casement stay

Suitable for:

TIMBER 

Select Casement Stay is a locking casement stay for timber windows that is available with a suited cockspur handle.

Select Casement Stay features a compact design and comes with a variety of accessories including pegs and rests.



Casement stay with locking rest

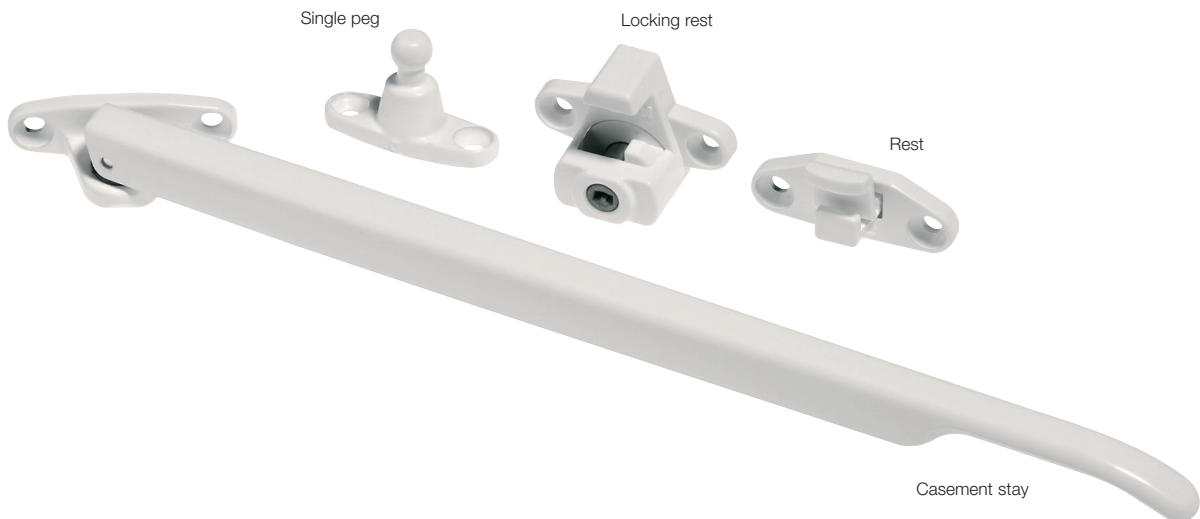
## Features and Benefits

- Specifically designed for timber windows
- Minimal projection for ease of window stacking
- Non-handed
- Locking or non-locking versions
- Integral stay clip
- Stay uses same lock and key as Select Cockspur handle to aid end user



Large key

Standard key



Single peg

Locking rest

Rest

Casement stay

Product	Product Code
Casement stay	TR51
Locking rest	TR202
Rest	TR53
Single peg	TR54
Large key	TF1206

(Standard key supplied with each stay)

### Manufactured from

Zinc Alloy to BS EN 1774 ZL3,  
Component Parts – POM, PA6

### Recommended screws

4mm (No.8) countersunk head

### Standards

Please contact us for the latest test results.

### Finishes

Suffix product code with:

- 020 (white paint), -023 (brown paint),
- 825 (satayte chrome), -818 (bright nickel),
- 102 (albrafin gold)

**NOTE:** Plated finishes are not suitable for use in coastal or highly corrosive environments.

### More information

enquiries@titon.co.uk / 01206 713801

