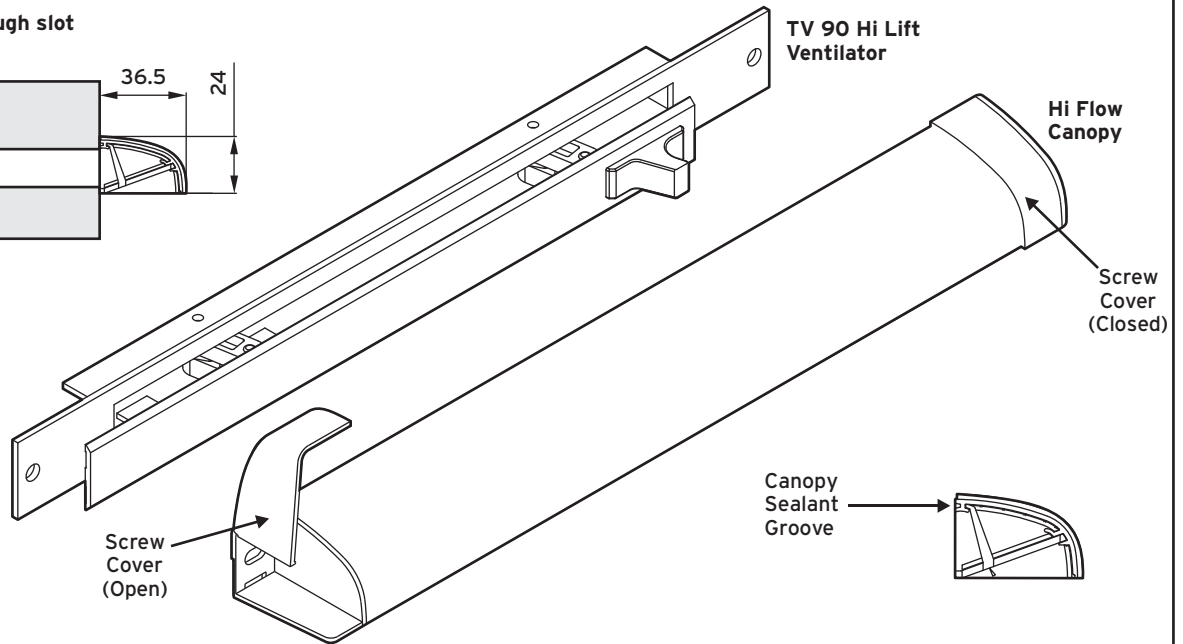
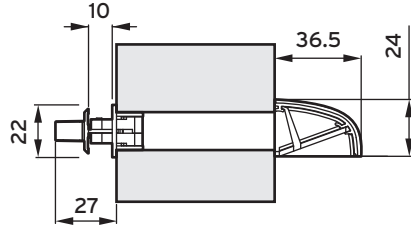


Diagram

Fig.1 Section through slot



N.B. Any significant variation of the applications shown will affect the EA performance of the product combination.

1. Prepare slots (see table below for dimensions) and pre-drill fixing holes, avoiding glazing rebates.
 2. Fix vent using screws.
 3. To fix canopy open Screw Covers on end caps by unclipping flap and hinging outwards.
 4. Screw to section, snap close screw covers.
- DO NOT OVER TIGHTEN SCREWS!**

Recommended screws:

Vent & Canopy: 3.5mm (No.6) Pan head or equivalent.

We recommend use of silicone sealant along the canopy sealant groove.

TV90 Hi Lift Range	Equivalent Area (EA) mm ²	Free Area mm ²	Length	Width	Projection closed / open	Fixing Centres (A)	Slot Detail & Dimensions
TV 90HL 2500EA 300 Vent	2500	2649	300	22	17 / 27	290	
HF 303 Canopy		4458	303	24	36.5	284	
TV 90HL 4300EA 425 Vent	4300	4184	425	22	17 / 27	415	
HF 441 Canopy		6780	441	24	36.5	422	
TV 90HL 5000EA 525 Vent	5000	5308	525	22	17 / 27	515	
HF 529 Canopy		8233	529	24	36.5	510	
TV 90HL 8600EA 835 Vent	8600	8368	835	22	17 / 27	825 with centre fix	
HF 844 Canopy		13527	844	24	36.5	825	

** Canopy centres = 825 with no centre fix position.

MARKETING DIVISION

International House, Peartree Road, Stanway, Colchester, Essex CO3 0JL
Tel: +44 (0) 1206 713800 Fax: +44 (0) 1206 543126 Web: www.titon.com

All dimensions in mm unless otherwise stated
EA = Equivalent Area

* Tested in accordance with BS:EN 13141-1 (2004)

Any significant variation in application from BS:EN 13141-1 (2004) shown in Fig.1 will affect the EA performance of the product combination.