

Trimvent® Select Xtra S16

Surface mounted slot ventilator



Trimvent® Select Xtra S16 Ventilator

Suitable for:



Trimvent Select Xtra S16 is a surface mounted plastic slot ventilator that fits over a 16mm slot in a window and provides an Equivalent Area (EA) of 4600mm² when fitted with the XC16 canopy.

The XS16 is ideal for both new build and refurbishment situations using any window material, and is available in a variety of colours.

The Xtra design improves the Trimvent Select range to offer increased ventilation. It gives optimum airflow (and therefore EA) utilising existing Trimvent Select slot sizes and vent lengths, making them 60% more efficient than previous models. It has been specifically developed for recent revisions to Part F of the Building Regulations for Ventilation (England & Wales), is optimised for use with the Scottish Technical Standards and to improve performance for requirements throughout the UK and Europe.

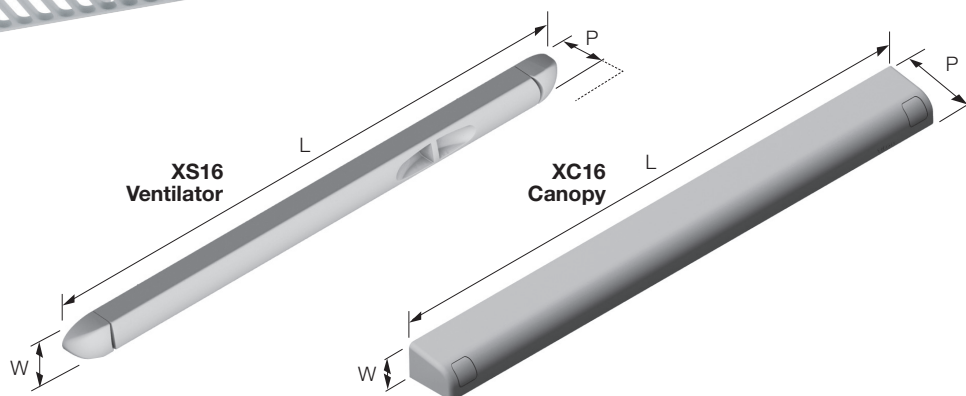
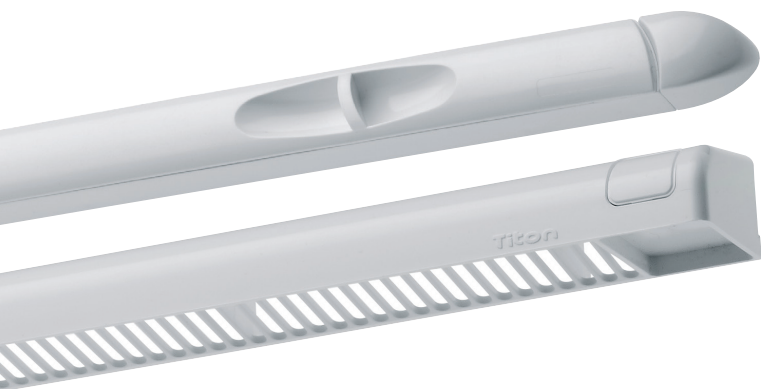
Trimvent Select ventilators have been specified and fitted on millions of windows throughout the UK and mainland Europe over the last 20 years.



Trimvent® Select Xtra C16 Canopy

Features and Benefits

- **Updated design to improve performance and Regulations compliance**
- **Unique occupant controllable tilting T-bar**
- **Rounded unobtrusive shape**
- **For use over 16mm slot**
- **Based on successful Trimvent® principle**
- **Sculpted finger recess**
- **Patented and registered design**
- **Available in vent and canopy packs**
- **When specified correctly complies with Building Regulations**



Product	Product Code	(L) Length	(W) Width	(P) Projection Closed-Open	EA (mm ²)	Free Area (mm ²)	Slot Detail / Free Area of Slot (mm ²)
XS16 4600EA vent	TS1164670	366	21 - 31	16 - 28	4600	4511	
XC16 364 canopy	TS2164040	364	22	32.5	4600	4990	
XS16 & XC16 4600EA pack	TS4164670						

EA figures above and marked on vents are achieved when fitted to manufacturer's recommendations.

Tested in accordance with BS:EN 13141-1 (2004).

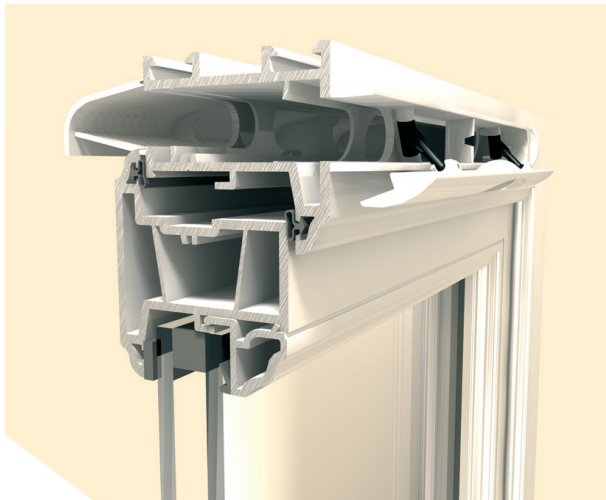
This product does feature some protrusion into the slot. If the recommended slot size has been cut then the protrusion will not affect fitting or claimed performance. Please contact us if you are using an existing slot which is different to that shown. Using a product without locators could affect the stability of the product in certain extreme conditions.

Manufactured from

Vent – PBTP (UV Stable) & POM, Canopy – PVCu

Recommended screws

3.5mm (No.6) Pan Head or equivalent



Through head

Standards

Tested in accordance with BS EN 13141-1:2004 (airflow, air leakage and weather tightness)

Acoustic performance tested in accordance with BS EN ISO20140-10:1992, BS EN ISO140-10:1991 and single figures to BS EN ISO717-1:1991

Performance

(Full test details available on request)

Equivalent Area – See above

Free Area – See above

Air Leakage (m³/hr @ 50Pa) – 2.12

Water Resistance (Pa) – 600

Acoustic D_{n,e,w} (+/-) – vent open 31 (0;0), vent closed 41 (-1;-2)

Finishes

Suffix product code with:

-392 (white), -315 (brown), -496 (bright white), -662 (toffee)

Other colour options available. Please contact sales for details.

More information

enquiries@titon.co.uk / 01206 713801