

HRV Q Plus AV Mounting Kit

- Fitting Instructions

The HRV Q Plus AV Mounting Kits are designed to be used on all Titon HRV units. These kits replace the standard fixing bracket that comes with the units. Anti vibration mounts aim to isolate the unit from the wall to reduce the vibrations created by the fans, making the units quieter. There are 3 different AV Mounting Kits depending on the unit they are designed for. They are as follows:

TP570 – HRV1.25, 1.3, 1.35 AV Mounting Kit

TP598 – HRV1.6, 1.65 AV Mounting Kit

TP571 – HRV2.85, 3, 4, 4.25 AV Mounting Kit

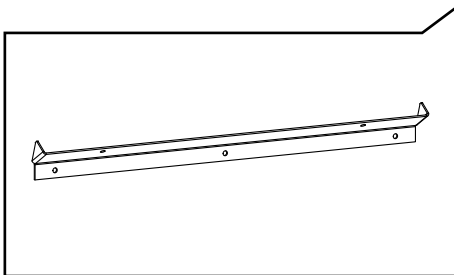
Handling

All lifting must be in accordance with the 89/391/CEE standard (and associated updates), and/or local regulations.

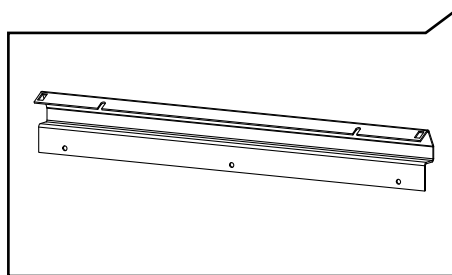
Packing Contents

Inspect the contents in the packaging when taking delivery. Check the parts for damage and that all fixings have been supplied.

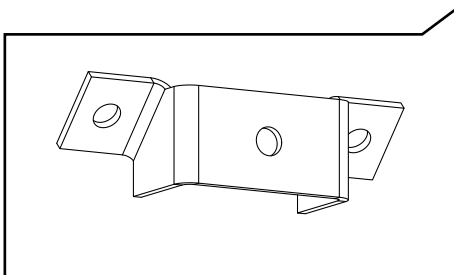
Package supplied with:-



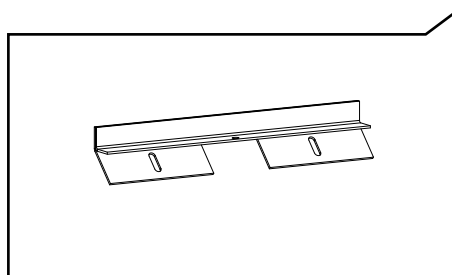
x 1 WALL TOP MOUNTING BRACKET



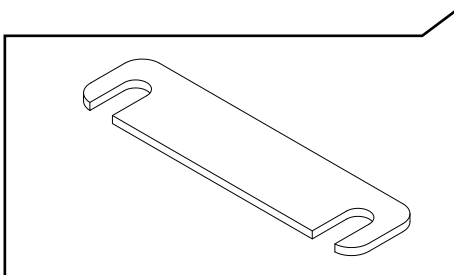
x 1 TOP MOUNTING BRACKET



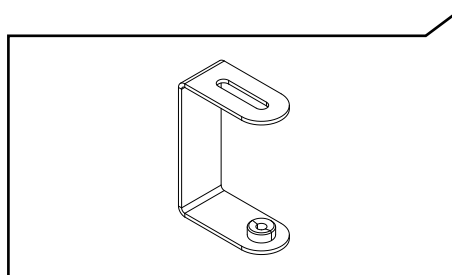
x 2 WALL BOTTOM MOUNTING BRACKET



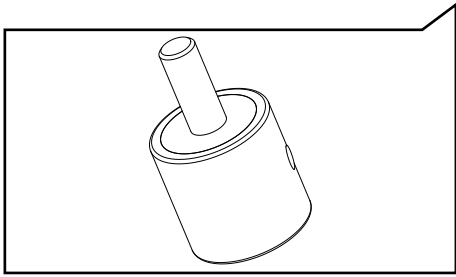
x 1 BOTTOM MOUNTING BRACKET



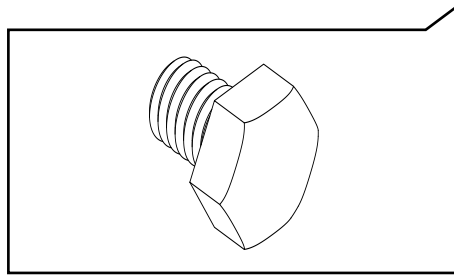
x6 BOTTOM WALL MOUNTING BRACKET SHIM



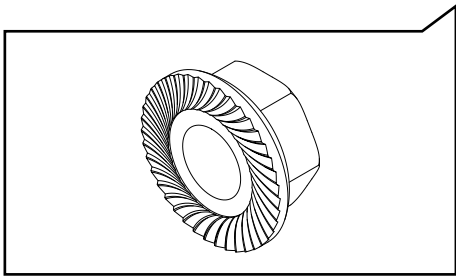
x 1 WALL BRACKET FOR DRAIN COVER ASSEMBLY



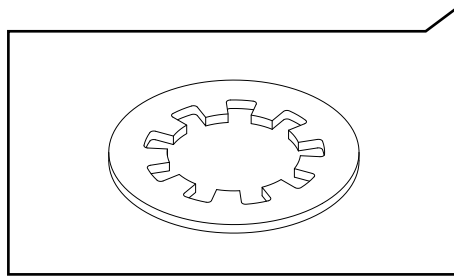
x 4 AV MOUNT



x 4 M6x8 HEX HD MACHINE SCREW



x 4 M6 HEX FLANGE NUT SERRATED

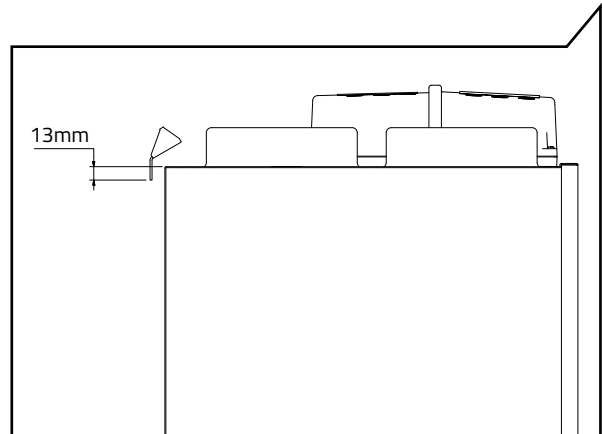
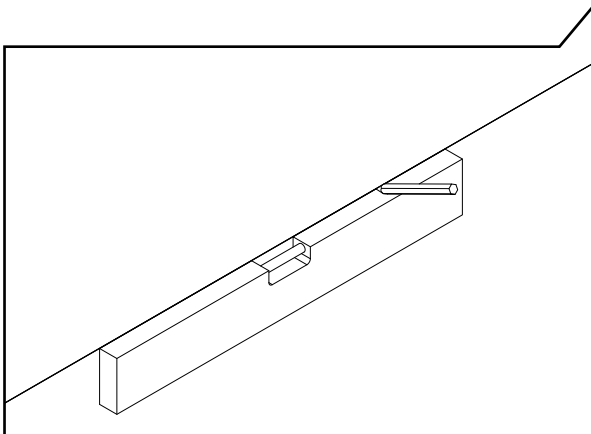


x 4 M6 INTERNAL SHAKEPROOF WASHER

Note: All steps are generic for all AV mounting kits.

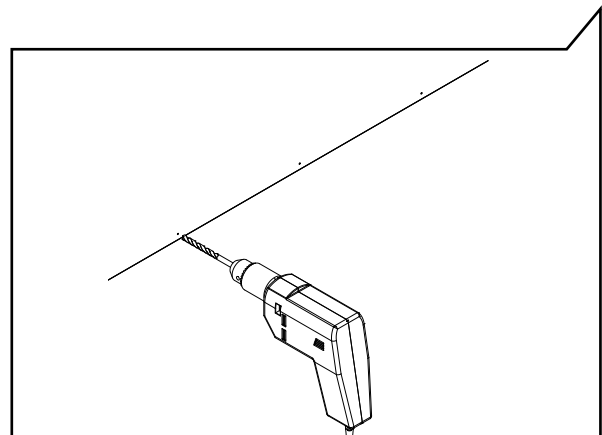
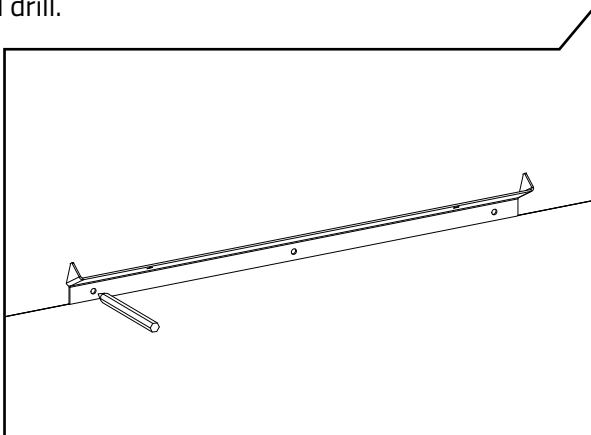
1 - Mark Guide Line

Mark a level line on the wall. This should be 13mm lower than where the top of the unit will sit.



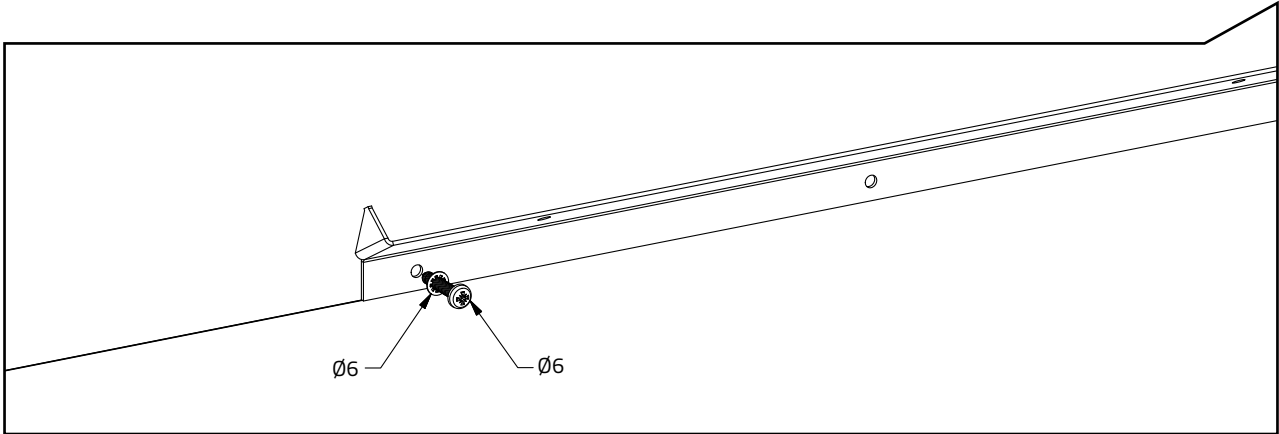
2 - Drill Holes

Using the wall top mounting bracket as a guide, mark the location of the mounting holes then remove the bracket and drill.



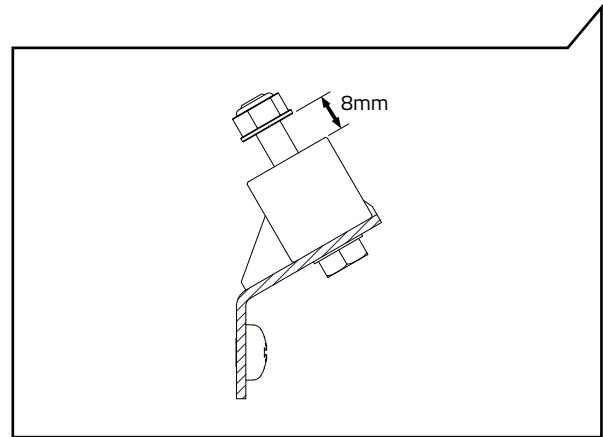
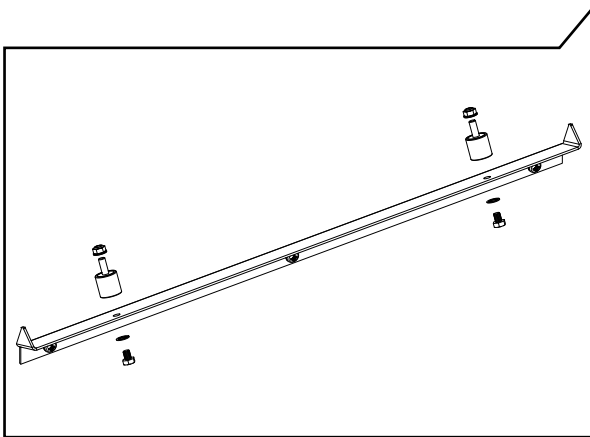
3 - Install Wall Bracket

Affix the wall top mounting bracket to the wall using 6mm fixings (not supplied).



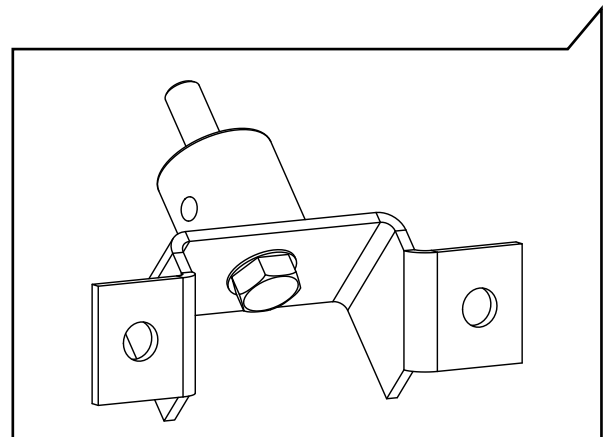
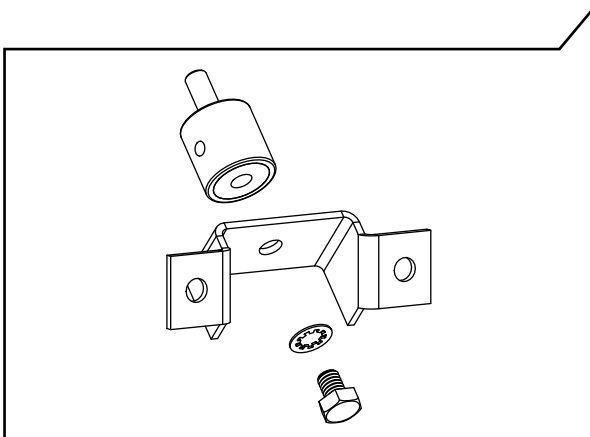
4 - Assemble Upper AV Mounts

Attach 2 AV mounts to the wall bracket using an M6x8 machine screw and an M6 washer on the bottom, Then screw an M6 flange nut to the top of the AV mounts, leaving an 8mm gap between the nut and the top of the mount.



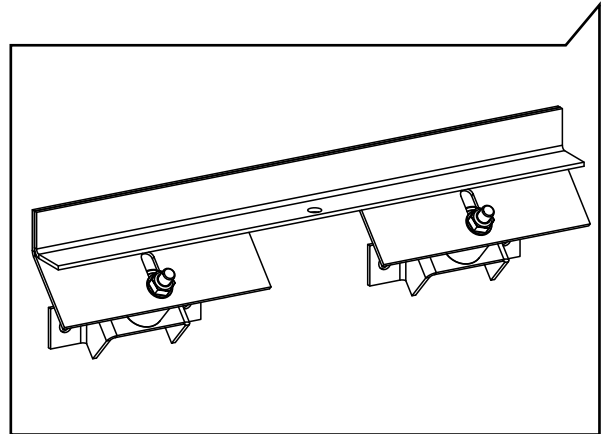
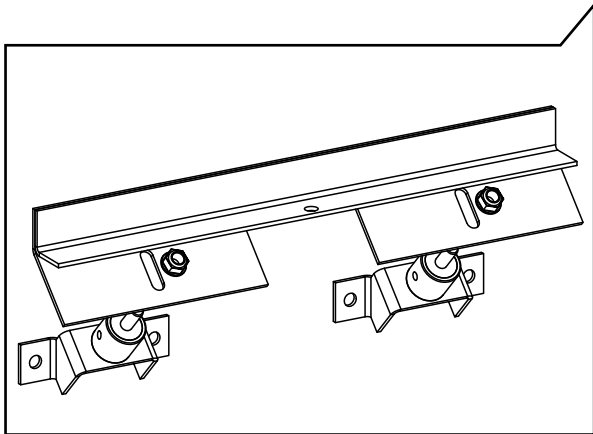
5 - Assemble Lower AV Mounts

Take the remaining AV mounts and attach them to the wall bottom mounting brackets using the M6x8 machine screws and an M6 washers.



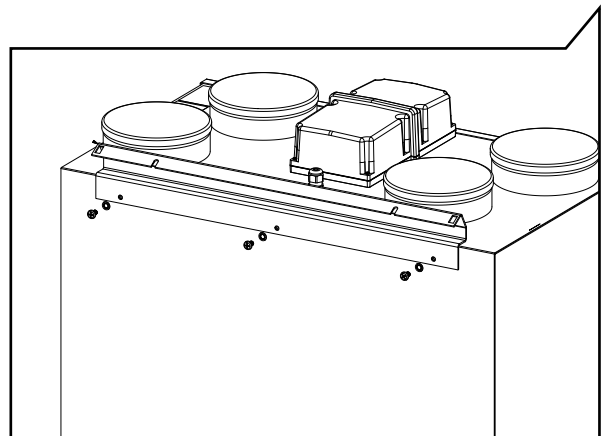
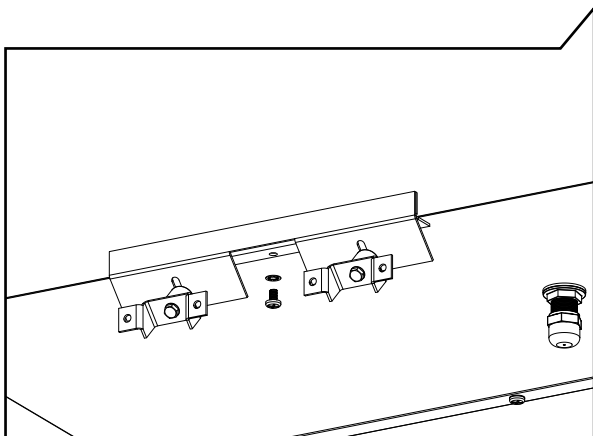
6 - Attach Lower AV Mounts to Bracket

Attach the 2 lower AV mounts to the bottom mounting bracket using the M6 flange nuts.



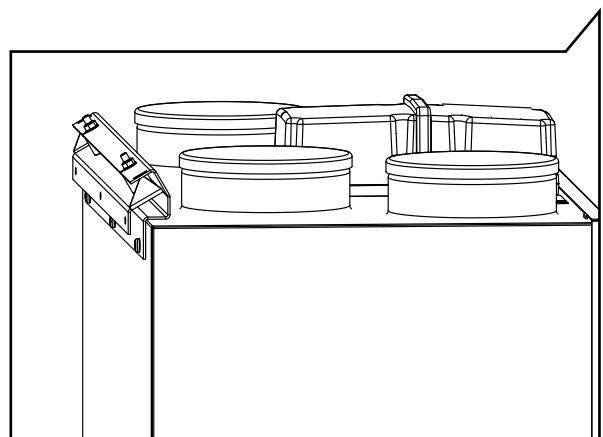
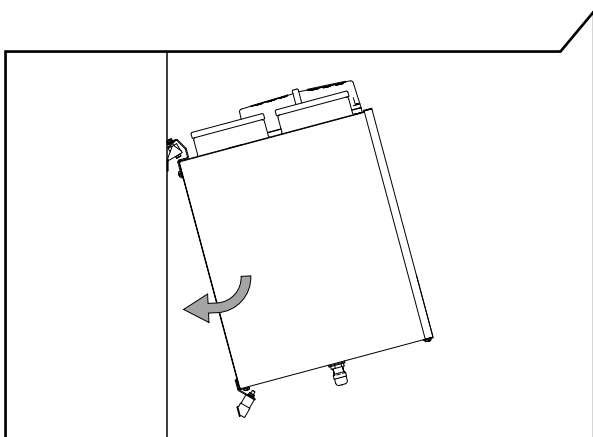
7 - Mount Brackets to Unit

The top mounting bracket and bottom mounting bracket assembly are fixed to the back of the HRV using the M6 fixing that come with the unit.



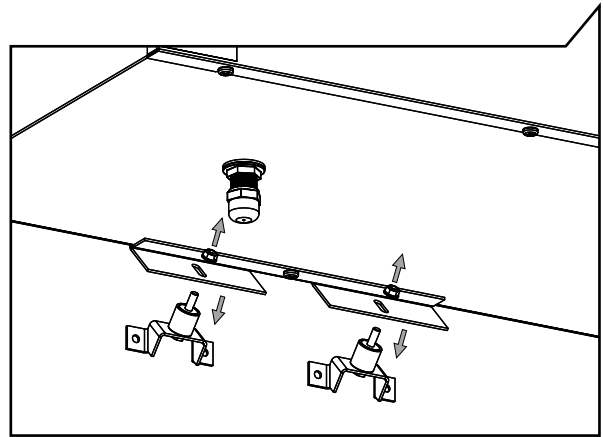
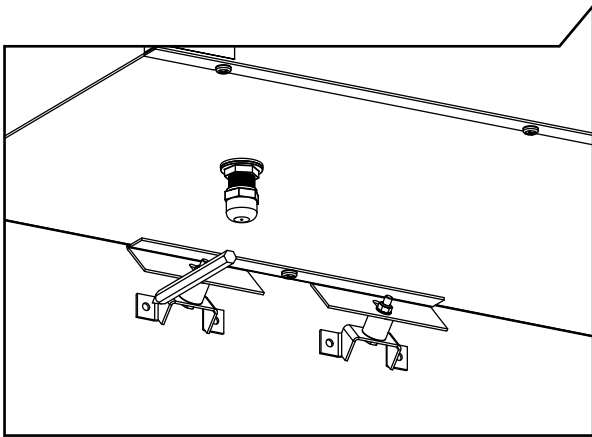
8 - Hang HRV Unit

Take the HRV unit and hang it from the bracket on the wall. The top mounting bracket on the unit should slot into the 8mm gap created between the AV mount and the flange nut.



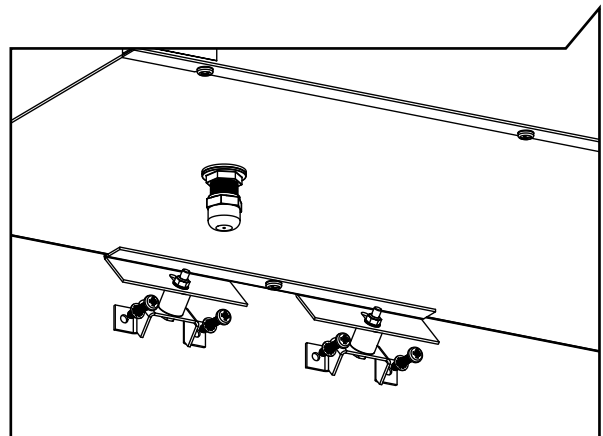
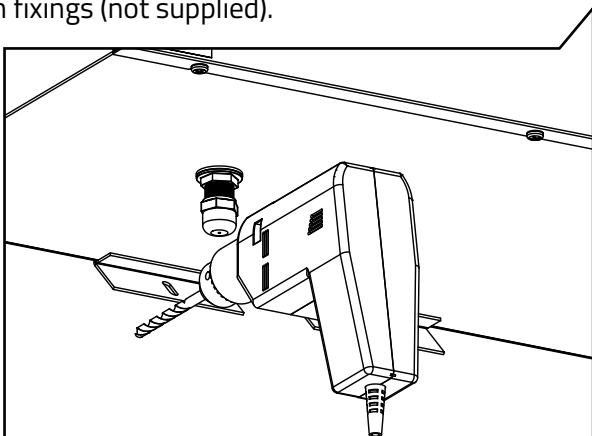
9 - Mark Lower Bracket Hole Locations

Whilst making sure to keep the unit level, mark the locations of the holes in the wall bottom mounting bracket. Once these are marked, undo the M6 flange bolts and remove the AV mounts.



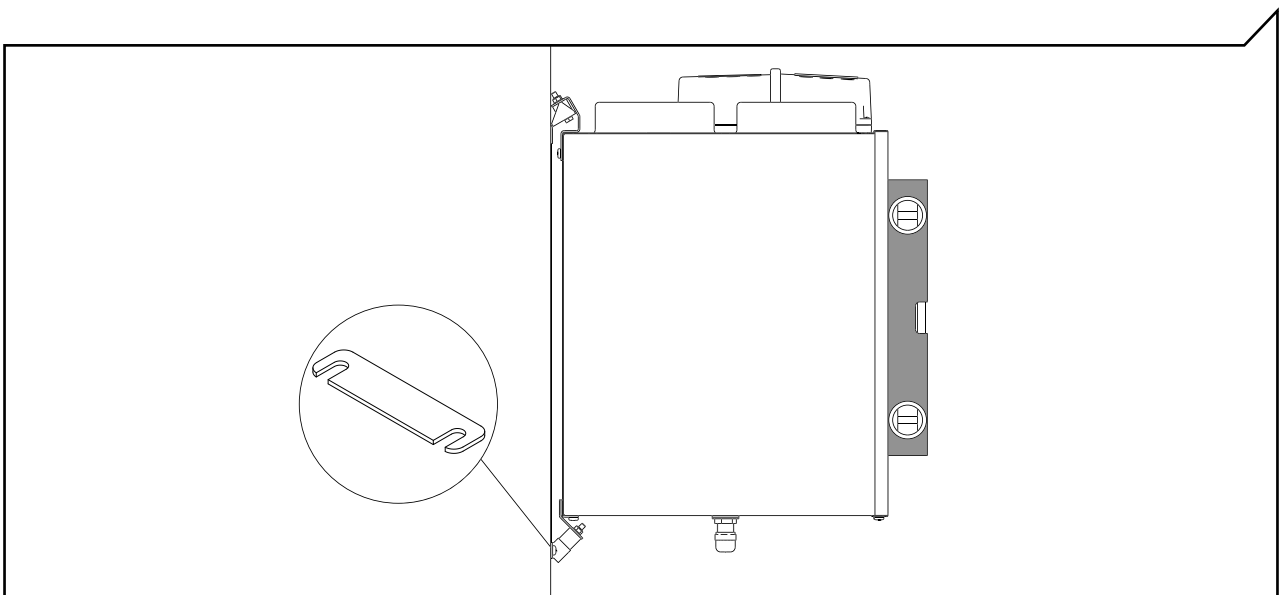
10 - Drill Holes

Drill the holes in the marked locations then reattach the AV mounts. Affix the mounting brackets to the wall using 6mm fixings (not supplied).



11 - Insert Shims

To fine tune the angle at which the unit hangs, the bottom wall mounting bracket shims can be placed behind the bottom wall mounting brackets.



Using the AV Mounting Bracket Kit with a Drain Cover

If using the AV mounting bracket with a drain cover, the wall bracket for drain cover assembly from this kit should be used. Remove the M6 machine screw in the base of the HRV and place this bracket between the washer and the bottom mounting bracket.

