

Adventure

Heavy duty friction hinge

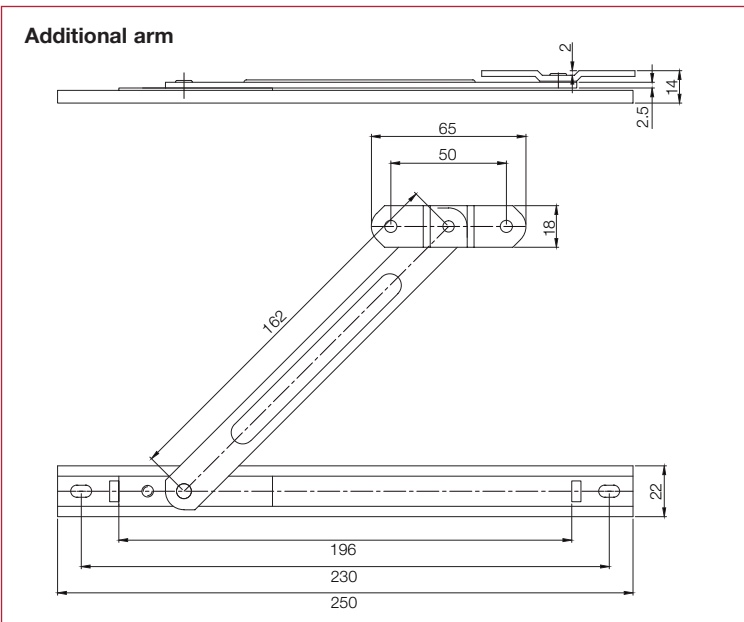
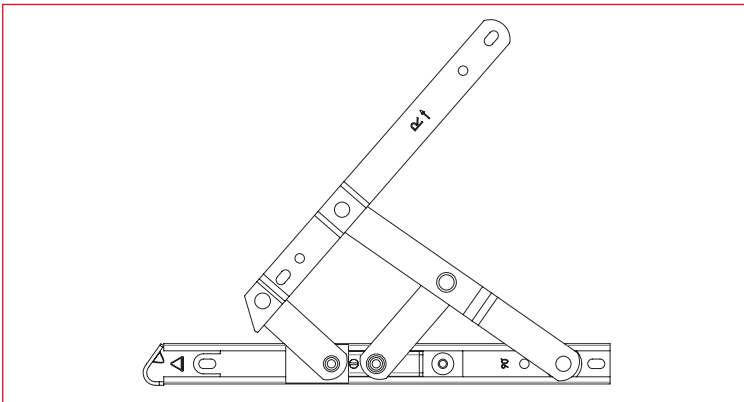
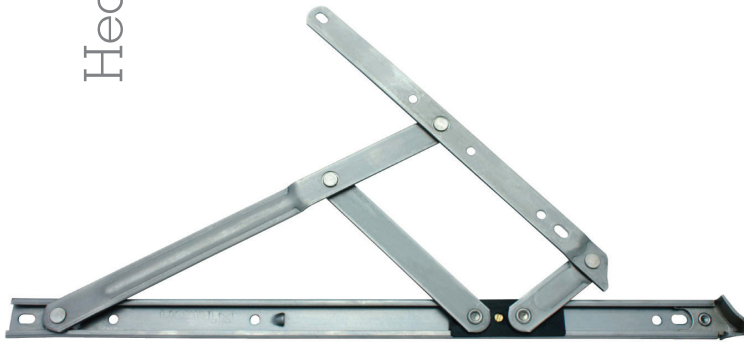
Suitable for:

- PVCu ALUMINIUM TIMBER

The Adventure friction hinge is suitable for many commercial or heavy sash domestic applications on side or top hung windows.

Adventure has been developed by Titon's experienced window fittings team and is tested to the latest hardware standards. All Adventure hinge dimensions and opening geometries have been calculated and designed to provide solutions on most window profiles.

The range is manufactured from high grade SS304 austenitic stainless steel, including the enclosed metal end cap, fitted for added strength compared to a standard hinge.



Features and Benefits

- Suitable for larger, heavier sashes or commercial applications
- Adjustable and controlled friction for smooth operation
- 16mm stack height
- Secured by Design product
- Made from austenitic stainless steel for high corrosion resistance
- Additional arm available
- Fully dimensioned technical sheet available for each hinge
- Free profile/section suitability advice available from the Titon Technical Department



Tenure Hinge Security Guard for use with Adventure Heavy Duty friction hinges



Data sheets for each hinge size are available on request

Adventure Side Hung

Product Code	Hinge Size (")	Hinge Size (mm)	Max Sash Weight (kg)	Opening Angle (+/-2.5°)	Max Sash Width (mm)	Max Sash Height (mm)	Box Quantity (pairs)
TN5013A	10	271	34.5	83/50	660	1800	25
TN5014A	16	414	32/42/42	90/50/30	762	2000	25

Adventure Top Hung

Product Code	Hinge Size (")	Hinge Size (mm)	Max Sash Weight (kg)	Opening Angle (+/-2.5°)	Max Sash Height (mm)	Max Sash Width (mm)	Box Quantity (pairs)
TN5013A	10	271	50	50	650	2000	25
TN5014A	16	414	55/100 ¹	50/30 ¹	800	2000	25
TN5015A	22	570	80/100 ²	45/20 ²	1500	2000	10
TN5016A	26	690	120/150 ³	20/10 ³	2500	2000	10

Additional Arm (used to provide additional friction and limit window opening)

Product Code	Arm Length (")	Arm Length (mm)	Box Quantity
TN5031A	10 nominal	250	25

Tenure Hinge Guard (4 off required for window)

Product Code	Stack Height (mm)	Box Quantity
TN5035 (1 Hinge Guard)	16 Stack	100

All operating parameters are indicative and will vary according to window profile design and operating characteristics. Larger hinges may require an additional arm to achieve maximum performance.

*Restricted to 15° to pass clause 5.5 "Resistance to repeated opening and closing" Class 2 when tested in accordance with BS 6375-2:2009

¹ Sash weight of 55kg to limit of 100kg, opening must be restricted to 30° using integral limit stop

² Sash weight of 80kg to limit of 100kg, opening must be restricted to 20° using integral limit stop

³ Sash weight of 120kg to limit of 150kg, opening must be restricted to 10° using 2 x additional stay TN5031 or similar

NOTE: The above are general minimum requirements, further limitations may be found necessary following customer trials/tests on their specific application.

Integral stops are not suitable for use as a safety restrictor.

Manufactured from

Austenitic stainless steel (hinge only)

More information

enquiries@titon.com / 01206 713801

Performance

Please contact us for the latest test results.

