

Asterion 3-Star Cylinder

Profile cylinders

Suitable for:

PVCu



ALUMINIUM



TIMBER



or composite doors

The Asterion 3-Star anti-manipulation profile cylinder is TS007 Kitemarked 3-Star in line with DHF (Door & Hardware Federation) and GGF (Glass & Glazing Federation) requirements. It therefore assists in compliance with Building Regulations Approved Document Q – Security – Dwellings. It has also been awarded Secured by Design (SBD) status, having gained national Police approval for providing a realistic level of resistance to criminal attack.

The anti-manipulation security features include a sacrificial break slot designed to snap off when forced, making it more difficult to gain a grip of the cylinder under attack.

Asterion 3-Star has a high security 6 pin cylinder mechanism and comes with 5 keys as standard. It is designed to withstand 5 types of attack: Anti drill, Anti pick, Anti bump, Anti snap, Anti screw and plug retraction.



Features and Benefits

- Kitemarked to TS007 3-Star rating
- Designed to attain PAS 24 with standard handles
- Secured by Design police preferred specification product
- Tested to BS EN 1303:2005
- Six pin
- Available in sizes nominal 74mm to 110mm
- Supplied with five keys as standard
- Available options:
 - Double cylinder
 - Cylinder and turn
 - Keyed alike
 - Master keying possible
- Satin Nickel Plate or Satin Brass finish
- BSI Kitemark number 631878



Product	Cylinder Dimensions (mm)			Product Size Description
	A (Overall)	B (External)	C (Internal)	
Double Cylinder	74	37	37	Double Cyl 74 (37 Int / 37 Ext)
	80	40	40	Double Cyl 80 (40 Int / 40 Ext)
	85	45	40	Double Cyl 85 (40 Int / 45 Ext)
		40	45	Double Cyl 85 (45 Int / 40 Ext)
	87	50	37	Double Cyl 87 (37 Int / 50 Ext)
		37	50	Double Cyl 87 (50 Int / 37 Ext)
	90	45	45	Double Cyl 90 (45 Int / 45 Ext)
		50	40	Double Cyl 90 (40 Int / 50 Ext)
		40	50	Double Cyl 90 (50 Int / 40 Ext)
	95	50	45	Double Cyl 95 (45 Int / 50 Ext)
		45	50	Double Cyl 95 (50 Int / 45 Ext)
		55	40	Double Cyl 95 (40 Int / 55 Ext)
	97	40	55	Double Cyl 95 (55 Int / 40 Ext)
		37	60	Double Cyl 97 (37 Int / 60 Ext)
		50	50	Double Cyl 100 (50 Int / 50 Ext)
60		40	Double Cyl 100 (40 Int / 60 Ext)	
100	55	45	Double Cyl 100 (45 Int / 55 Ext)	
	40	60	Double Cyl 100 (60 Int / 40 Ext)	
	45	55	Double Cyl 100 (55 Int / 45 Ext)	
	74	37	37	Turn Cyl 74 (37 Int / 37 Ext)
	80	40	40	Turn Cyl 80 (40 Int / 40 Ext)
Cylinder & Turn	85	45	40	Turn Cyl 85 (40 Int / 45 Ext)
	40	45	45	Turn Cyl 85 (45 Int / 40 Ext)
	87	50	37	Turn Cyl 87 (37 Int / 50 Ext)
		37	50	Turn Cyl 87 (50 Int / 37 Ext)
	90	45	45	Turn Cyl 90 (45 Int / 45 Ext)
		50	40	Turn Cyl 90 (40 Int / 50 Ext)
		40	50	Turn Cyl 90 (50 Int / 40 Ext)
	95	50	45	Turn Cyl 95 (45 Int / 50 Ext)
		45	50	Turn Cyl 95 (50 Int / 45 Ext)
		55	40	Turn Cyl 95 (40 Int / 55 Ext)
	100	40	55	Turn Cyl 95 (55 Int / 40 Ext)
		50	50	Turn Cyl 100 (50 Int / 50 Ext)
		60	40	Turn Cyl 100 (40 Int / 60 Ext)
		40	60	Turn Cyl 100 (60 Int / 40 Ext)
		55	45	Turn Cyl 100 (45 Int / 55 Ext)
45	55	Turn Cyl 100 (55 Int / 45 Ext)		

Other sizes available on request. Blank key option available – TN6200

Manufactured from

Brass & stainless steel
Hardened steel anti drill pins

Recommended screws

M5 x 45mm machine screws supplied

Standards

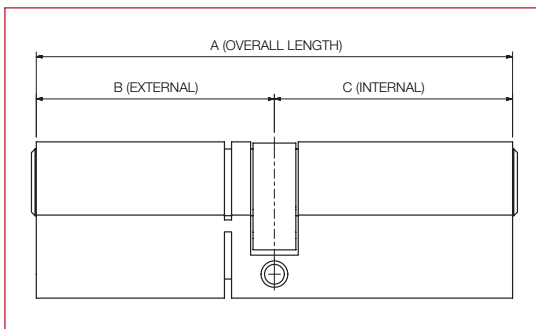
BS EN 1303:2005 and TS007 3-Star rating

Finishes

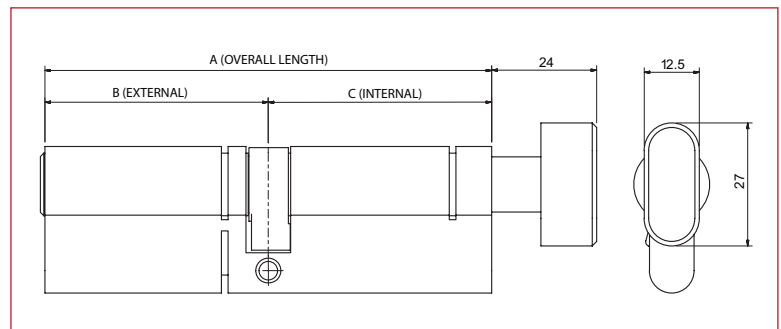
Satin nickel plate
Satin brass

More information

enquiries@titon.co.uk / 01206 713801



Asterion double cylinder



Asterion cylinder and turn