

HRV *Q Plus* Condensate Drain Cover

Fitting Instructions

The HRV *Q Plus* Condensate Drain Cover can be used for all models of Titon HRV units. It is designed to improve the overall appearance of the units by concealing the service pipe with a discreet cover manufactured to the exacting finish and quality of the existing HRV *Q Plus*, whilst still providing easy access when necessary.

The HRV *Q Plus* Condensate Drain Cover comes in the following sizes:

TP544 – Condensate Drain Cover HRV 1.6

TP545 – Condensate Drain Cover HRV 1.25, 1.35

TP546 – Condensate Drain Cover HRV 1.75 – 3

(Tools Required: Pan Head Screw Driver & 10mm Spanner. Fixings: M6 Hex Head Screws)

TP547 – Condensate Drain Cover HRV 10M/10.25M

(Tools Required: Pan Head Screw Driver. Fixings: N/A)

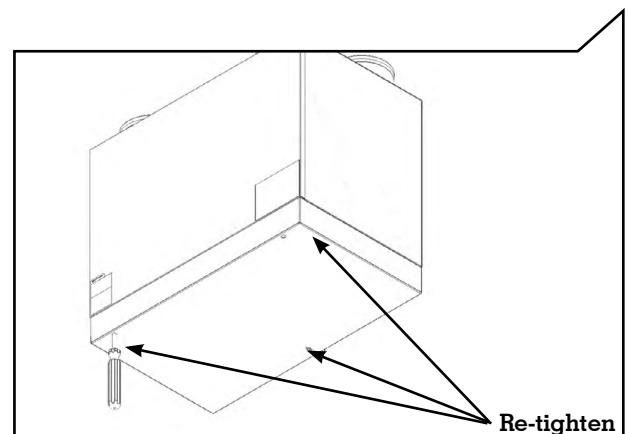
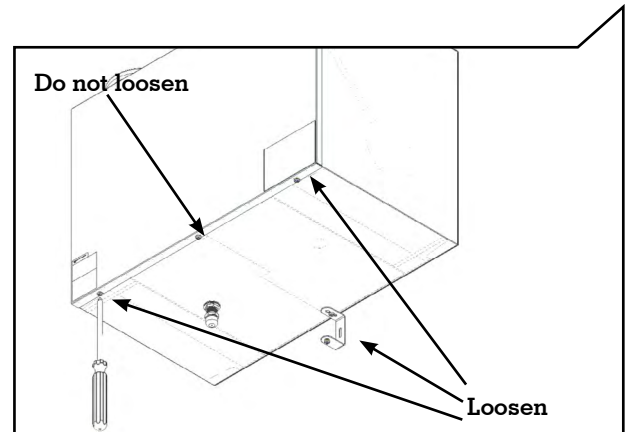
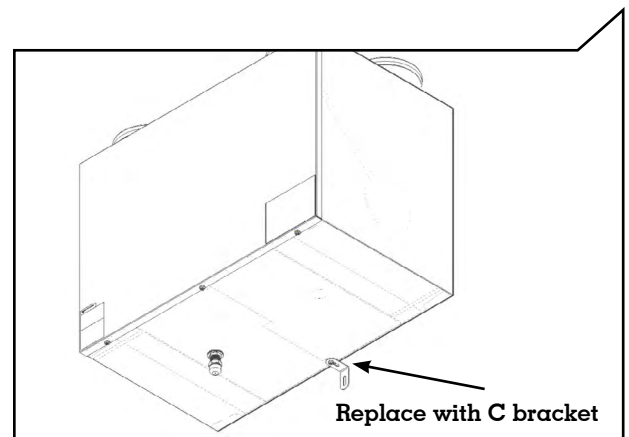
HRV1.25 *Q Plus* through to HRV3 *Q Plus*

Please note that the depth of the Condensate Drain Cover is 74mm and the drainage pipe must be fitted to within this depth for the cover to be fitted. The drainage trap cannot be installed within this cover void, in this instance it must be located in an alternative suitable position.

Remove the L bracket and attach a C bracket in its place. Use M6 hex screws for this.

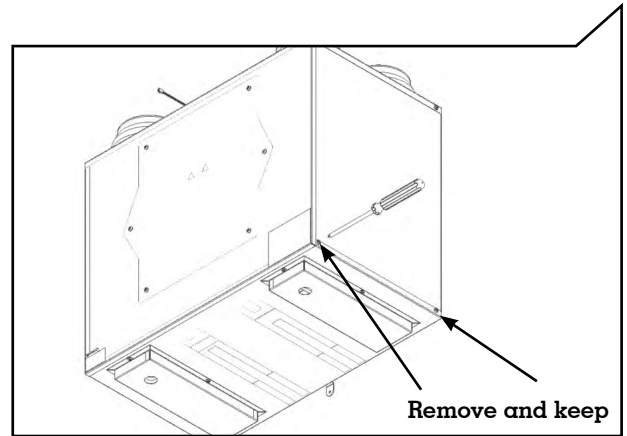
Loosen the three screws as shown. Do not loosen the screw in the middle of the front panel.

Locate the three screws in the slots in the Condensate Drain Cover. Once the screws are lined up, re-tighten the three screws.

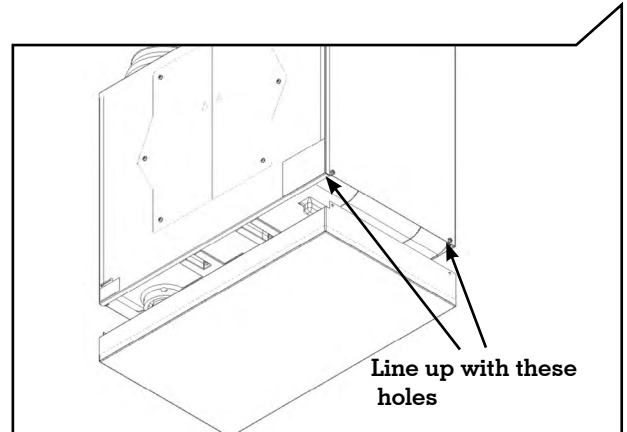


HRV10M-10.25M *Q Plus*

Remove the front panel of the unit.
Remove the four screws found in each corner. Put these to one side as they will be required again.
Remove bottom plate.



Line up the Drain Condensate Cover with the fixing holes at the side of the unit.



Replace and re-tighten the four screws you removed in step 1 to secure the Condensate Drain Cover to the HRV *Q Plus* unit.

Finally, replace the front panel you removed during step 1.

