

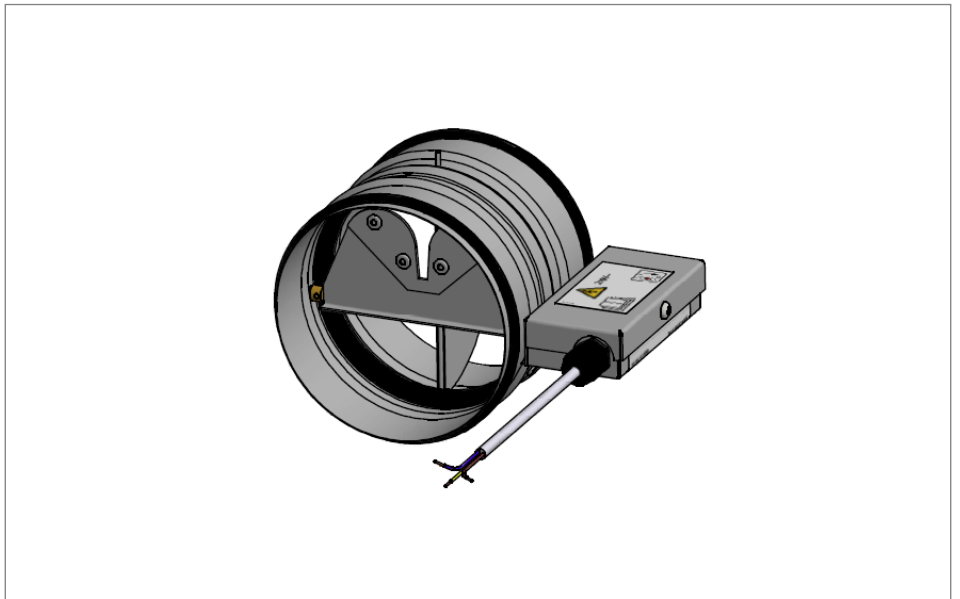
## EU DECLARATION OF CONFORMITY

---

Product Backdraft Shutter  
Part Number TP630-099  
Manufacturer Titon Hardware Limited  
Address 894 The Crescent, Colchester Business Park, Colchester, Essex, CO4 9YQ, UK.

This declaration of conformity is issued under the sole responsibility of the manufacturer.

Product Type Backdraft Actuator



This object of the declaration described above is in conformity with the relevant Union harmonised legislation:

**Harmonised legislation:**

EU1253/2014  
2011/65/EC Restriction of the use of certain hazardous substances  
2014/35/EU-Low Voltage Directive  
2012/19/EU-WEEE

**Harmonised Standards:**

BS EN 60335-1

Signed for and on the behalf of:

Titon Hardware Limited  
894 The Crescent, Colchester Business Park, Colchester, Essex, CO4 9YQ, UK.

Date:

20th December 2018



David Ruffell  
Chief Executive



Lionel Holmes BSc (Hons) CEng MIET  
Operations Director



Paul S Cowell BEng (Hons) CEng MCIBSE  
Technical Director