

Kenrick Centurion Fast-Fit

Security shootbolt espagnolette

Suitable for:

PVCu



ALUMINIUM



TIMBER



Centurion Fast-Fit is an adaptable locking system providing high levels of security while still remaining cost effective.

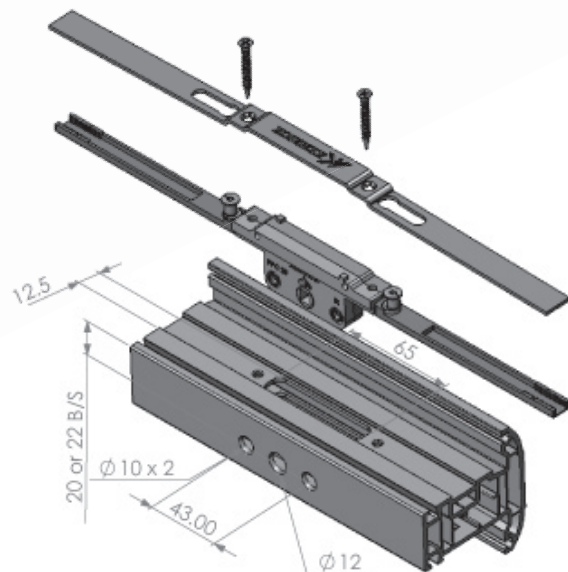
Available in various non-croppable lengths with two backsets and up to 8 locking points, Centurion Fast-Fit allows window fabricators of any size the opportunity to market a high value finished product at a cost effective price.



Features and Benefits

- Simple to install
- Steel shootbolts
- 4-8 Locking points
- Secure by Design Product
- Available in 20mm and 22mm backset gearbox
- Robust unhandled die-cast gearbox
- Non crop shootbolts
- Profile related keeps with night vent facility
- Tested to 100,000 cycles
- 10 year mechanical guarantee
- Minimum of 240 hours salt spray testing exceeding BSEN 1670:2007
- PAS24 Capable

Handle fixing and lockcase routing detail



Centurion Fast Fit Gear Box

Product Code	Gearbox Backset (mm)
CLSFF0020	20
CLSFF0022	22

Standard Extension Part Numbers (With Adjustable Mushroom Cams)

Product Code	Sash Rebate Size	Number of Locking Points
CLS240370	450-567	2
CLSFFBAR01	568-716	4
CLSFFBAR02	716-866	6
CLSFFBAR03	866-1016	6
CLSFFBAR04	1016-1170	6
CLSFFBAR05	1170-1320	8
CLSFFBAR06	1320-1466	8
CLSFFBAR07	1468-1608	8

Size range

450-1608mm

Manufactured from

Gearbox- Zinc
Extensions- Mild Steel
Striker- Zinc

Finish

Zinc plate

Performance

(Full test details available on request.)
Minimum of 240 hours salt spray testing exceeding BSEN 1670:2007

When ordering please specify:

1. Espagnolette type
2. Sash rebate
3. Backset size
4. Cam size
5. Profile name and number

More information

enquiries@titon.co.uk / 01206 713801

