

# Kenrick Easi-Fit

Security espagnolette

Suitable for:

PVCu



ALUMINIUM



TIMBER



**Easi-Fit provides very high levels of security by way of the patented claw locking mechanism.**

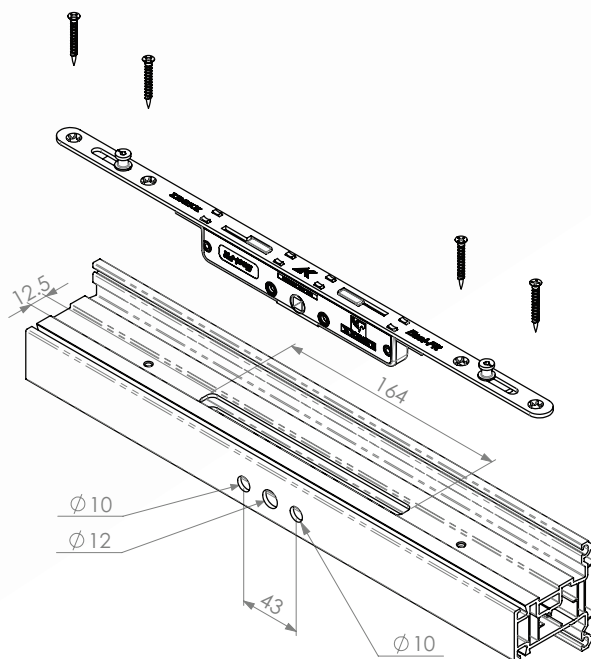
No cropping required, six bar sizes cover sash rebates from 200mm up to 1200mm. The faceplate has rounded ends to help avoid damage to the profile surface during fabrication.



## Features and Benefits

- Patented high security claw locking
- Secure by Design product
- Available in 20mm and 22mm backset gearbox
- Robust unhandled die-cast gearbox
- Profile related keeps with night vent facility
- Bi-directional die cast claws
- Tested to 100,000 cycles
- 10 year mechanical guarantee
- Minimum of 240 hours salt spray testing - BSEN 1670:2007
- Guaranteed Security
- PAS24 Capable

### Handle fixing and lockcase routing detail



## 20mm Backset

Product Code	Bar Size (mm)	No. of Fixing Points	No. of Mushroom Cams	No. of Locking Claws
KSEF20020	200	2	0	2
KSEF40020	400	4	2	2
KSEF60020	600	4	2	2
KSEF80020	800	6	2	2
KSEF100020	1000	6	2	2
KSEF120020	1200	8	4	2

## 22mm Backset

Product Code	Bar Size (mm)	No. of Fixing Points	No. of Mushroom Cams	No. of Locking Claws
KSEF20022	200	2	0	2
KSEF40022	400	4	2	2
KSEF60022	600	4	2	2
KSEF80022	800	6	2	2
KSEF100022	1000	6	2	2
KSEF120022	1200	8	4	2

### Size range

200 - 1200mm

### Manufactured from

Gearbox - Zinc  
Face and drive bar - Mild Steel  
Striker - Zinc

### Finish

Zinc plate

### Performance

(Full test details available on request.)  
Minimum of 240 hours salt spray testing - BSEN 1670:2007

### When ordering please specify:

1. Espagnolette type
2. Sash size
3. Backset size
4. Cam size
5. Profile name and number

### More information

enquiries@titon.co.uk / 01206 713801

