

Kenrick Excalibur

Security shootbolt espagnolette

Suitable for:

PVCu



ALUMINIUM



TIMBER



Excalibur is a market leading product that constantly enables window fabricators to sell effective solutions to their customers, be they trade or domestic.

Excalibur offers first rate security features with longevity and reliability. No other window locking system can match Excalibur for value. Excalibur is a multi point locking system that ensures each window is sealed against weather and intruders, supported by an insurance backed guarantee scheme.

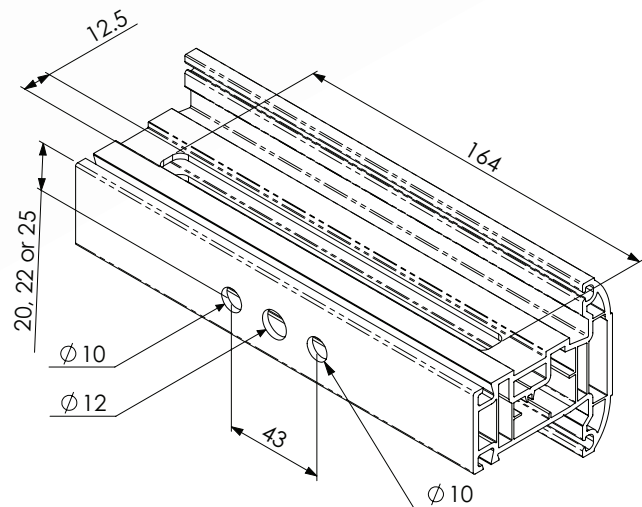


Features and Benefits

- Patented high security claw locking (No claw version available)
- Steel shootbolts
- Secure by Design product
- Available in 20mm/22mm and 25mm backset gearbox
- Robust unhandled die-cast gearbox
- Profile related keeps with night vent facility
- Fully retractable or with mushroom cams
- Bi-directional die cast claws
- Low handle height capability
- Tested to 100,000 cycles
- 10 year mechanical guarantee
- Minimum of 240 hours salt spray testing - BSEN 1670:2007
- Guaranteed Security
- PAS24 Capable



Handle fixing and lockcase routing detail



Product Code	Gearbox Backset (mm)
EXC0020XL	20
EXC0022XL	22
EXC0025XL	25

Product Code (No Claws)	Gearbox Backset (mm)
EXC0020NC	20
EXC0022NC	22
EXC0025NC	25

Standard Extension Part Numbers (No Cams)

Product Code	Sash Rebate Size (mm)	Number of Locking Points
EXC300440	310-440	4
EXC370500	364-500	4
EXC430700	430-692	4
EXC490700	492-692	4
EXC690950	690-950	4
EXC9501210	946-1210	4
EXC12101470	1210-1470	4

Plus Extension Part Numbers (With Adjustable Mushroom Cams)

Product Code	Sash Rebate Size (mm)	Number of Locking Points
CLS240370	310-400	2
CLSFFBAR01	436-576	6
CLSFFBAR03	570-880	6
CLSFFBAR05	870-1180	8
CLSFFBAR07	1168-1476	8

Size range

310 - 1470mm (Standard Extensions)
310 - 1476mm (Plus Extensions)

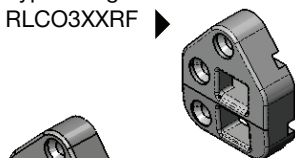
Manufactured from

Gearbox - Zinc
Extensions - Mild Steel
Striker - Zinc

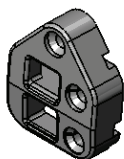
Finish

Zinc plate

Typical Right Hand End Keep
RLCO3XXRF



Typical Left Hand End Keep
RLCO3XXLF



Performance

(Full test details available on request.)
Minimum of 240 hours salt spray testing - BSEN 1670:2007

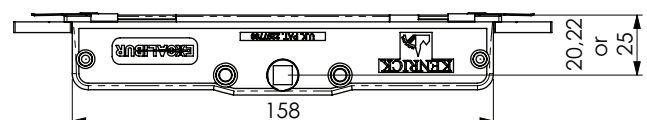
When ordering please specify:

1. Espagnolette type
2. Sash rebate
3. Backset size
4. Cam size
5. Profile name and number

More information

enquiries@titon.co.uk / 01206 713801

Lockcase dimensions



EXC0020 Excalibur 20mm backset gearbox
EXC0022 Excalibur 22mm backset gearbox
EXC0025 Excalibur 25mm backset gearbox

