

Kenrick Nemesis

Security espagnolette

Suitable for:

ALUMINIUM 

Multipoint locking espagnolette with mushroom cams for side hung and top hung applications, designed for profiles with, or without eurogroove.

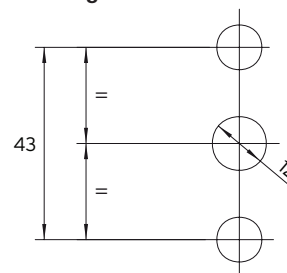
Available in a range of lengths with one backset and two cam heights. The Nemesis espagnolette is compatible with all standard espag handles with 43mm fixing centres and a 7mm square spindle and is capable of achieving PAS24.



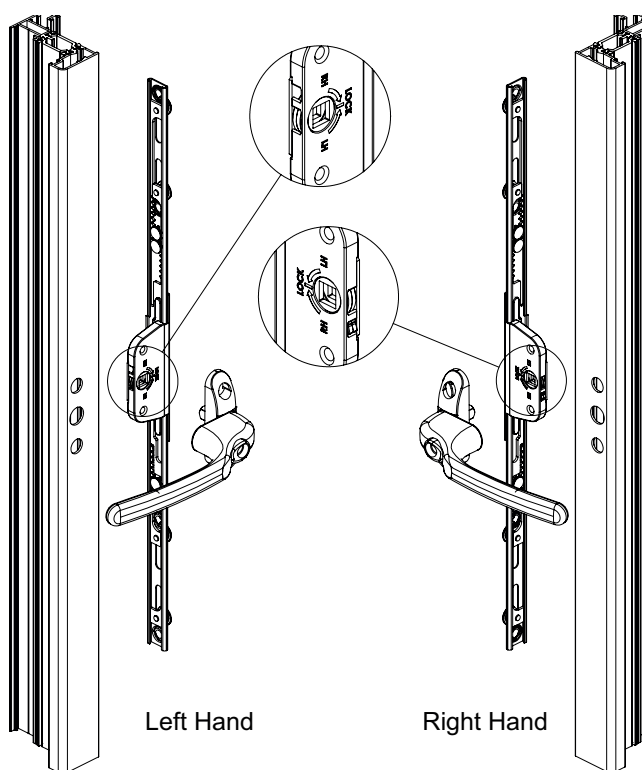
Features and Benefits

- Bidirectional locking system which
- Designed for PAS24 security
- Low cost and rapid tooling for bespoke keeps and packers
- Suitable for use on windows with, or without eurogroove
- Mushroom head cams aid security
- Adjustable compression
- 2 sizes of mushroom cam heights
- Available in 7 different lengths 400mm to 1300mm
- Keeps are profile related, please contact us for suitability or custom design service
- Manufactured from 304 stainless steel

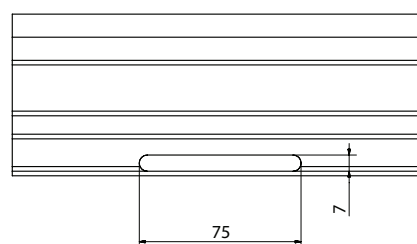
Handle fixing detail



Handing detail



Lockcase routing detail



Nemesis Espagnolette - 20mm Backset Version

Length (mm)	LH 5mm Cam	RH 5mm Cam	LH 7mm Cam	RH 7mm Cam
400	NEM400205LH	NEM400205RH	NEM400207LH	NEM400207RH
550	NEM550205LH	NEM550205RH	NEM550207LH	NEM550207RH
700	NEM700205LH	NEM700205RH	NEM700207LH	NEM700207RH
850	NEM850205LH	NEM850205RH	NEM850207LH	NEM850207RH
1000	NEM1000205LH	NEM1000205RH	NEM1000207LH	NEM1000207RH
1150	NEM1150205LH	NEM1150205RH	NEM1150207LH	NEM1150207RH
1300	NEM1300205LH	NEM1300205RH	NEM1300207LH	NEM1300207RH

Size range

400 to 1300mm espagnolette lengths

Manufactured from

304 Stainless steel

Finish

Silver finish - BS EN 1670 Grade 4 (240 hours)

Recommended screws

Espagnolette - 4mm countersunk head
Handle fitting - M5 Machine screw

Keeps/Strikes and packer

A clever combination of universal top plate and bespoke packer, provides a quick and economical way to provide bespoke keep solutions. Contact Titon to discuss your requirements.

Performance

Full test details available on request

When ordering please specify

1. Espagnolette length
2. Handing
3. Cam height
4. Profile name and number

More information

enquiries@titon.com / 01206 713801

