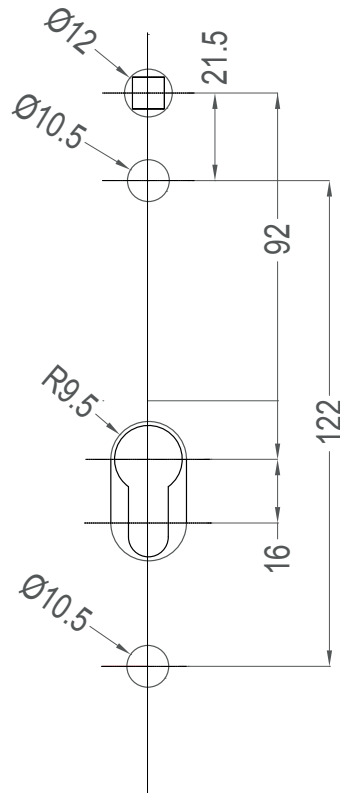


Diagram



Supplied with:

1 shafts 108mm
1 shaft 95mm
2 screws M5 85mm long
2 screws M5 75mm long

TN8100 & TN8104
(Lever/Lever)

Supplied with:

1 shafts 108mm
2 screws M5 85mm long
2 screws M5 75mm long

TN8101 & TN 8105
(Lever/Pad)

Routing / Drilling Detail

Fixing Instructions

1. Rout / drill door.
2. Cut screws (M5) and spindles (8mm Square) to length if necessary.
3. Place spindles in position
4. Place both handles into position and insert and tighten fixing screws, leaving loose.
5. Fit Euro cylinder and tighten handle fixing screws, do not over tighten.

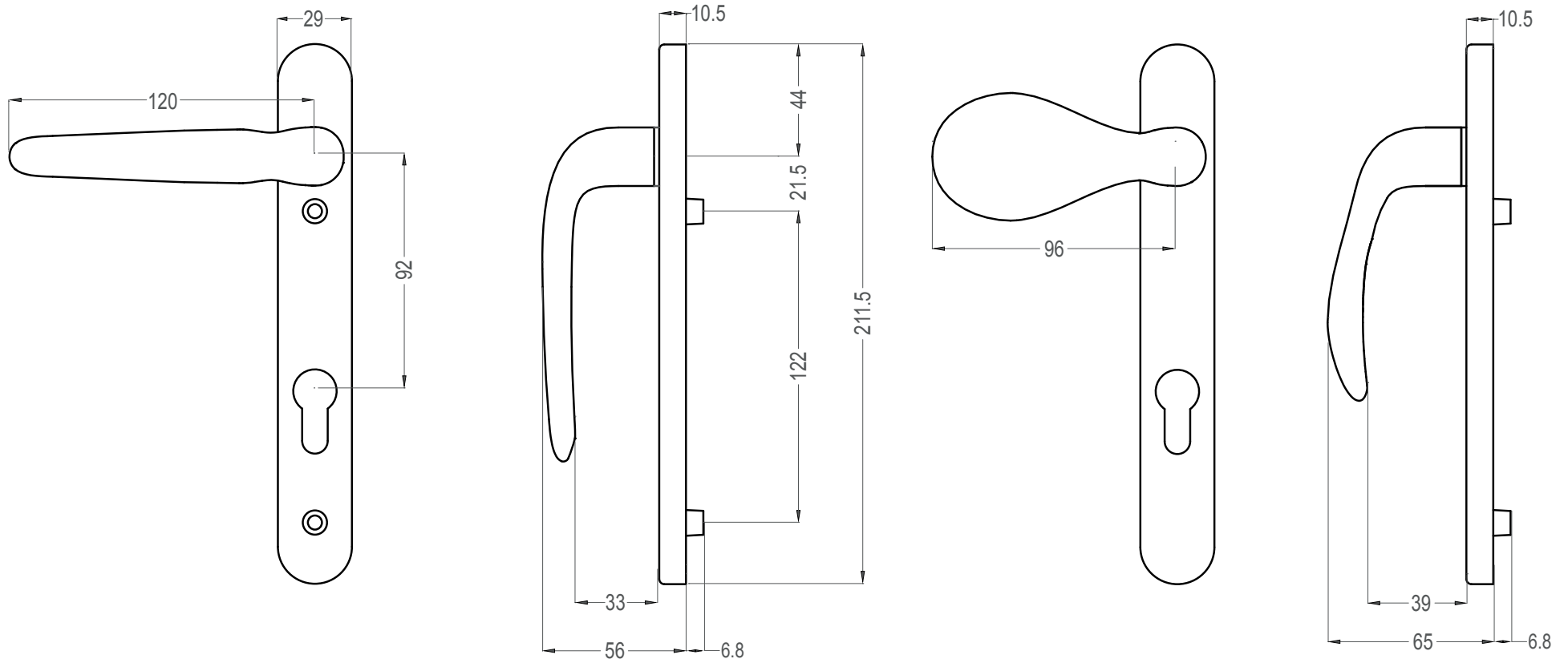
Cleaning

Door handles should only be cleaned using warm soapy water and a soft cloth.

Do not clean any part with solvents or abrasive substances.

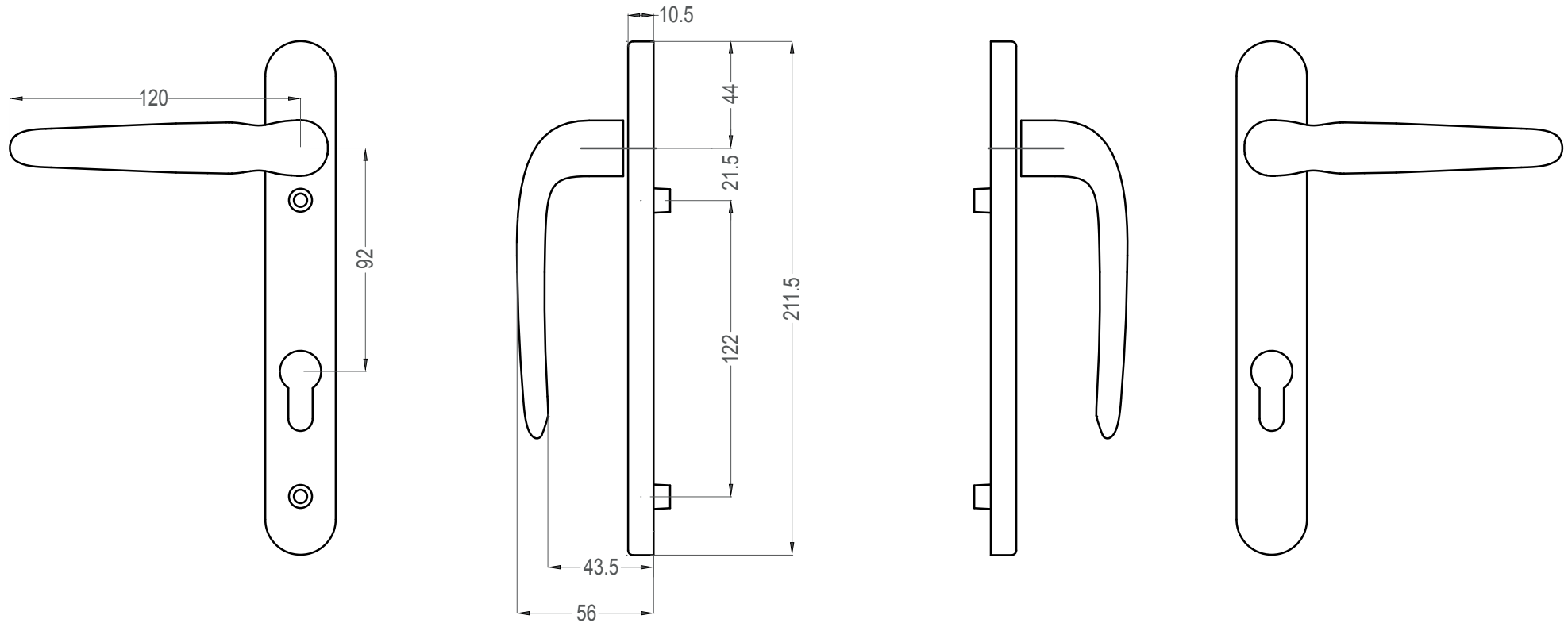
*Failure to adhere to these instructions invalidates your Titon Product Guarantee.
Paint or corrosion not covered by Guarantee.*

Diagram



Lever/Pad

Diagram



Lever/Lever