

Overture Stainless Steel

Stainless steel lever door handle range

Suitable for:

PVCu



ALUMINIUM



TIMBER



or composite doors

The contemporary Overture Stainless Steel door handle range is manufactured in SS304 stainless steel giving optimum corrosion resistance.

As part of the popular Overture range, the Stainless Steel door handle suites perfectly with other Overture Stainless Steel door hardware.



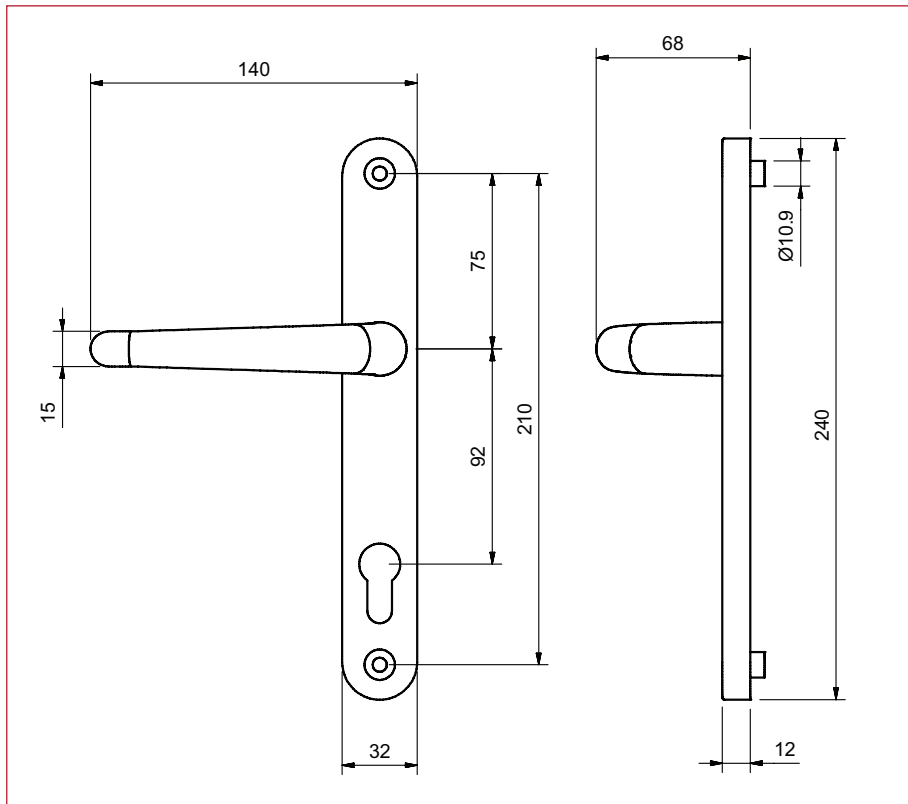
Features and Benefits

- Tested to over 100,000 cycles
- Both internal and external handles and screws are manufactured in SS304 stainless steel
- Polished and brushed finishes
- All finishes tested in excess of 480 hours salt spray testing - Grade 5 BS EN 1670
- Exceeds 1000 hours salt spray testing with no effect on function and no corrosion to the visible substrate
- Long (240mm) baseplate
- Sprung handles
- Supplied with two spindle lengths for 44mm and 70mm doors and two screw lengths as standard
- Suites perfectly with other Overture stainless steel door hardware
- Available in lever/lever
- Each pair individually packaged
- Can be used in conjunction with Titon Asterion Three Star Kitemarked door cylinder
- Suites with Overture E window handle



Product	Door Width (mm)	Product Code
		Stainless Steel - 304
Overture SS L/L 240mm (Door Handle Long Baseplate Lever/Lever)	44-70	TN8108

NB: Reduction of spindle and/or screws may be required to achieve the full door width range



Manufactured from

Stainless steel 304
Zinc alloy cradle

Standards

BS EN 1670 Grade 5 (480 hours)
Cycle tested to 100,000 cycles

Finishes

NOTE: Not all products are available in both finishes listed below. Please contact us for availability.
Suffix product code with: -073 (Polished stainless steel),
-547 (Brushed stainless steel)

More information

enquiries@titon.com / 01206 713801