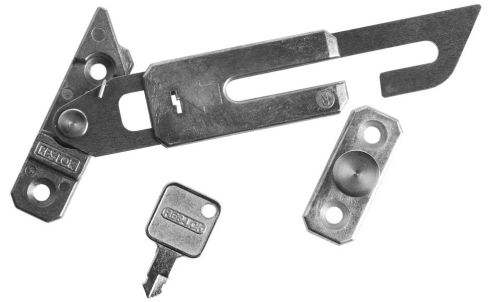


Res-Lok

Concealed open out window safety restrictor



Suitable for:

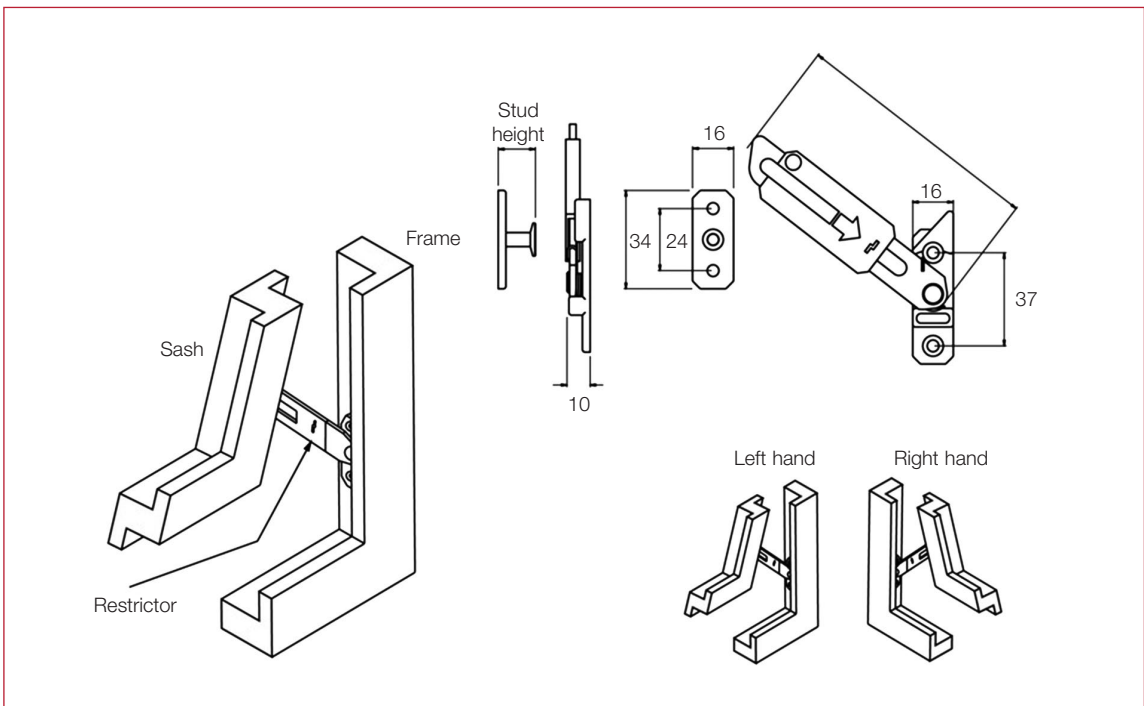
- PVCu ✔
- ALUMINIUM ✔
- TIMBER ✔

The unique Res-Lok open out concealed restrictor has been designed to provide safety for all major types of PVCu, aluminium and timber open out windows.

The configuration will vary depending on the profile of window.

Features and Benefits

- Automatic locking
- Automatic engagement
- Concealed fitting
- Restricts sash to 100mm opening
- Dedicated key release
- Retro fitting option
- Conforms to BS EN 14351:2006 Clause 4.8
- Constructed from stainless steel and zinc alloy
- Other stud sizes available



Res-Lok concealed restrictor

Open Out Products	Product Code
Res-Lok kit 105mm* - LH	JBC327-Kit
Res-Lok kit 105mm* - RH	JBC328-Kit

*Res-Lok kits include: Key, restrictor, 11.5mm stud, 1mm and 2mm packer.

Manufactured from

Stainless steel

Recommended screws

4mm (No.8) countersunk head

Standards

Tested in accordance to BS EN 14351:2006
Clause 4.8

More information

enquiries@titon.co.uk / 01206 713801