

Solitude dMEV

Decentralised Mechanical Extract Ventilation or constant flow intermittent extract fan

For use in small to medium sized dwellings

Constant flow dMEV fan for bathroom, kitchen and utility room applications with adjustable continuous and fixed boost speed settings. Solitude is the most efficient dMEV available.*

The Solitude constant flow dMEV fan is a discreet single fan suitable for new build or refurbishment projects.

Solitude can be wall, ceiling or panel mounted**, whilst the unique impeller design ensures powerful performance with minimal noise.

The Solitude constant flow dMEV uses a boost with overrun timer that is adjustable between 0 - 30 minutes, manually activated via remote switch.

Features & Benefits

- Most efficient dMEV available
- Discreet aesthetic
- Easy clean design
- Quiet running, only 11dB(A) at 3m, low speed
- Specific fan power down to 0.09 W/l/s
- Two speed (selectable low speed)
- Unique high performance low noise impeller design
- IPX4 rated**
- Constant flow technology
- Double insulated (requires no earth)
- Designed and manufactured in accordance with EN60335-2-80 Low Voltage Directive and the EMC Directive (Electromagnetic Compatibility)
- Complies with Building Regulations Part F (England and Wales)
- Motor mounted on high quality sealed for life ball bearings
- Capacitor type PCB power supply reducing PCB heat loss
- 18 months guarantee (UK only)
- PCDB listed for inclusion within SAP
- Meets stringent 5 Pa back pressure requirement



For use with Titon Trickle Ventilators.

* Accurate at date of test

** To maintain the IPX4 rating when ceiling mounted, a kit must be used. Please contact us for availability of ceiling mounting kits.



Description

Solitude constant flow Decentralised Mechanical Extract Ventilation unit with run on timer.

Product Codes

TP210 - Solitude with Overrun Timer

Standards

Designed and manufactured in accordance with EN60335-2-80 (Low Voltage Directive) and the EMC Directive (Electromagnetic Compatibility). Air performance measured according to ISO 5801 at 230V 50Hz, air density 1,2 Kg/m³. CE marked.

Specification

Dimensions:

164mm x 164mm with 46mm projection

Weight: 0.6Kg

Finish: White gloss RAL 9010, UV resistant

Materials: Shock-proof ABS casing

Guarantee period: 18 months (UK only)

Electrical: 220-240 V ~ 50Hz

Installation: Install in accordance with regulatory requirements, such as the Ventilation: Approved Document F and the Residential Ventilation Association recommendations.

Maintenance: Service, clean, replace subject to local environment - see product manual.

Ducting Kits

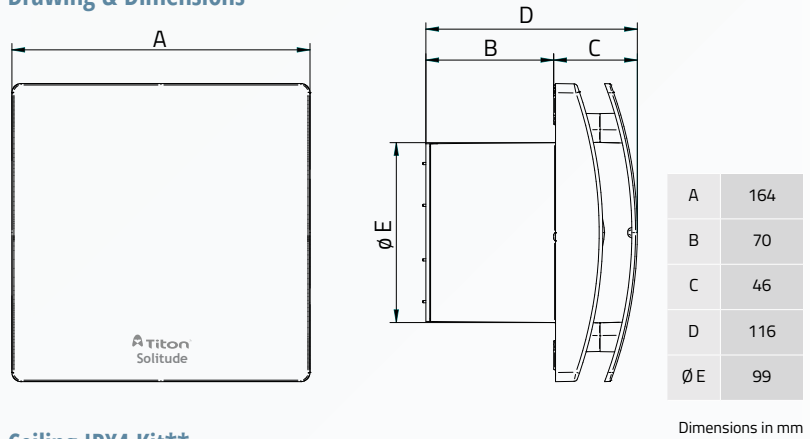
Our ducting kits are recommended to maintain flow rates and are available in Ø100mm and 110x54mm rectangular. Kits contain; 3m duct, bends, grille and accessories. Calculated resistance rates are also included in ducting kit literature.

Jumper switch settings

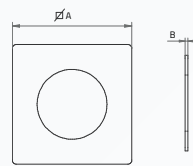
Jumper			Installation	Airflow
1	2	3		
			constant flow	47 m ³ /h - 13l/s
		✓	constant flow	36 m ³ /h - 10l/s
	✓		constant flow	29 m ³ /h - 8l/s
	✓	✓	constant flow	21 m ³ /h - 6l/s
✓			in room	47 m ³ /h - 13l/s
✓		✓	in room	29 m ³ /h - 8l/s
✓	✓		through wall	47 m ³ /h - 13l/s
✓	✓	✓	through wall	29 m ³ /h - 8l/s

✓ = Jumper present

Drawing & Dimensions



Ceiling IPX4 Kit**



Model	TP202
A	173
B	5

Gasket made of EPDM rubber to guarantee the IPX4 degree of protection against moisture in case of ceiling installations.

Performance

The figures and compliance levels below relate to current SAP requirements. Revised SAP guidance will have an effect on performance and up-to-date figures can be found on the relevant product page at www.titon.com.

Location	Ducted in room		Direct exhaust through wall	
	Kitchen	Wet room	Kitchen	Wet room
Fan speed setting	47 m ³ /h	29 m ³ /h	47 m ³ /h	29 m ³ /h
	13l/s	8l/s	13l/s	8l/s
SFP w/l/s Rigid or flexible ducting	0.13	0.11	0.09	0.1

Figures taken from the BRE Test Results

Airflow m ³ /h	Airflow l/s	Max power (W)	Sound pressure dB(A) @ 3m	Max ambient temp °C
83	23	2.5	32	50
47	13		23	
36	10		19	
29	8		13	
21	6		11	

Full Boost Selectable Trickle (low speed)

Curve at maximum speed

