

# Sound Attenuators - Rigid Ducting

## For use with Titon's HRV Q Plus and CME Q Plus Ranges

In the ever changing world of greater energy efficiency and more comfortable living, there has been a step change in the way that designers and specifiers have addressed domestic ventilation challenges.

Many new homes now incorporate central ventilation systems whereupon individual rooms are connected to a central system utilising a heat recovery unit. This allows for the collection of warm moist air from the wet areas, say in the kitchen and bathroom, to be ducted to the central heat recovery unit, where the moisture content is reduced and the dryer, warm air is used to condition fresh air from outside which is returned to other living spaces, such as the lounge and bedrooms.

One of the potential disadvantages to this network of ducting is that noise from the electric fan and mechanical moving parts can be transmitted along the duct runs and cause a noise nuisance to the occupants.

## Features & Benefits

- High-flow performance and low resistance
- Reducing in-duct noise
- Reduces cross talk attenuation
- Available in 204 x 60mm and 220 x 90mm
- Lengths available 500mm, 1000mm and 1500mm
- Lightweight and easy to install
- Anti-corrosive

## Key Features

Titon's plastic duct silencers available in 204mm x 60mm and 220mm x 90mm have been designed for high flow rate installations with low pressure drops.

The new silencer offers many advantages over the traditional metal equivalent with corrosion free plastic construction giving a long serviceable life and no maintenance.

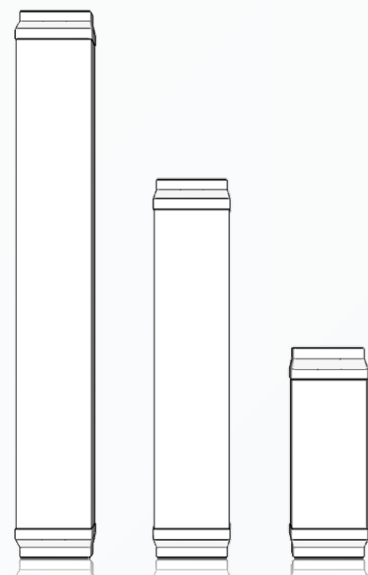
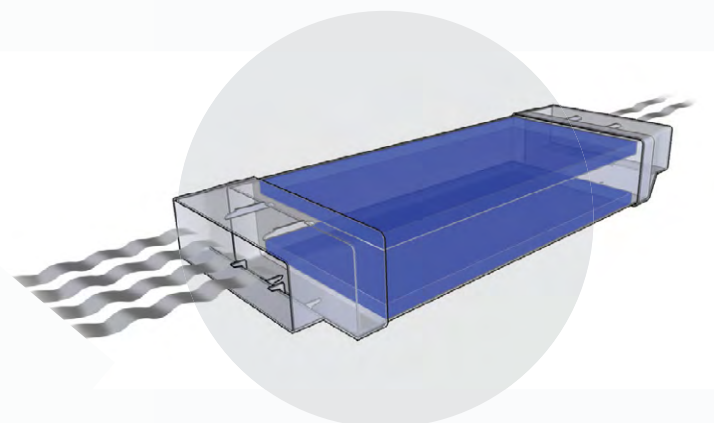
With a height profile of only 95mm, allows for installation in most ceiling and roof voids and can be hidden out of sight on top of kitchen cupboards.

Titon's plastic duct silencers provide effective attenuation as recommended by Document F of the Building Regulations 2010.

## Specification

Available Colours	White
Free Area	up to 11,664mm <sup>2</sup>
Max/min temp	60°C / -15°C
Material used	UPVC

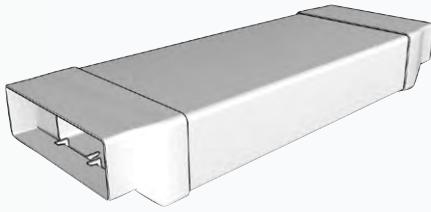
Silencer



1500mm      1000mm      500mm

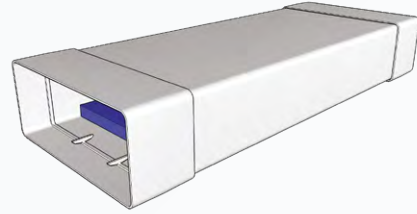
## Drawing and Dimensions

Rectangular 204 x 60 - Hi Flow



Product Code	Description	Width	Height	Length
<b>8960290</b>	Rectangular 204 x 60 - Hi Flow	225	95	560
<b>8960291</b>	Rectangular 204 x 60 - Hi Flow	225	95	1060
<b>8960292</b>	Rectangular 204 x 60 - Hi Flow	225	95	1560

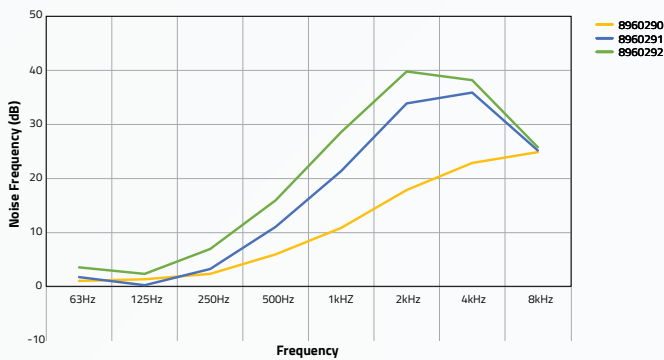
Rectangular 220 x 90



Product Code	Description	Width	Height	Length
<b>8960293</b>	Rectangular 220 x 90	225	95	508
<b>8960294</b>	Rectangular 220 x 90	225	95	1008
<b>8960295</b>	Rectangular 220 x 90	225	95	1508

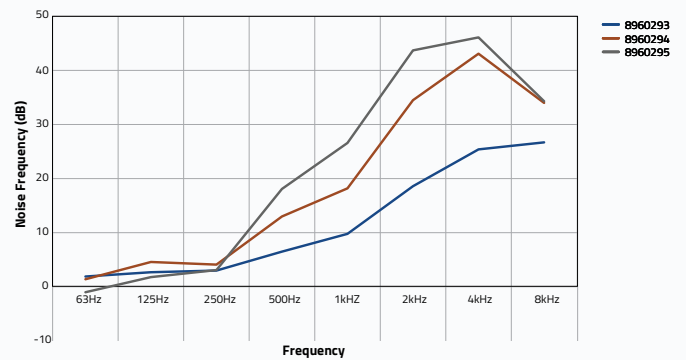
## Sound Attenuation Chart (dB)

Rectangular 204 x 60 - Hi Flow



Product Code	63Hz	125Hz	250Hz	500Hz	1kHz	2kHz	4kHz	8kHz
<b>8960290</b>	1.1	1.4	2.4	6.0	10.9	17.9	22.9	24.9
<b>8960291</b>	1.8	0.3	3.3	11.1	21.4	33.9	35.9	25.2
<b>8960292</b>	3.6	2.4	7.0	16.0	28.6	39.8	38.2	25.8

Rectangular 220 x 90



Product Code	63Hz	125Hz	250Hz	500Hz	1kHz	2kHz	4kHz	8kHz
<b>8960293</b>	1.9	2.7	3.0	6.5	9.8	18.6	25.4	26.7
<b>8960294</b>	1.4	4.6	4.1	13.0	18.2	34.5	43.1	34.0
<b>8960295</b>	-1	1.8	3.1	18.1	26.6	43.7	46.1	34.3

Product Code	(l/s) Flow rate	15	30	60	90	120	150	180
<b>8960290</b>	Pa	1.5	7.8	28.0	59.0	102.0	153.0	214.0
<b>8960291</b>	Pa	1.8	8.0	27.8	85.0	104.0	166.0	240.0
<b>8960292</b>	Pa	2.0	9.3	28.0	60.0	102.0	155.0	214.0

Product Code	(l/s) Flow rate	15	30	60	90	120	150	180
<b>8960293</b>	Pa	0.9	3.7	11.7	25.5	45.5	71.0	101.5
<b>8960294</b>	Pa	1.5	3.9	13.8	30.0	53.4	82.5	118.0
<b>8960295</b>	Pa	1.5	4.8	17.0	37.0	64.0	99.0	140.0