

# HRV Condensate Drain Cover

## HRV Accessories



### Product Codes

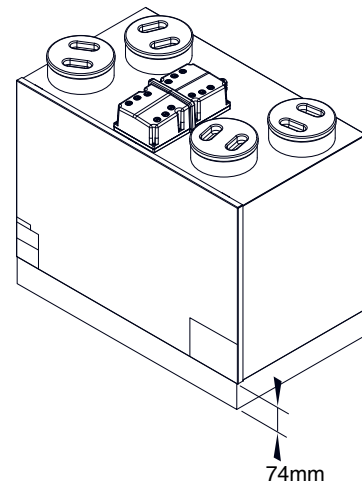
Model	Part Number
HRV1.25, 1.35	<b>TP545</b>
HRV1.6	<b>TP544</b>
HRV1.75, 2, 2.85, 3	<b>TP546</b>
HRV10M, 10.25M	<b>TP547</b>
HRV20 HE	<b>TP700</b>

### For use with Titon HRV units

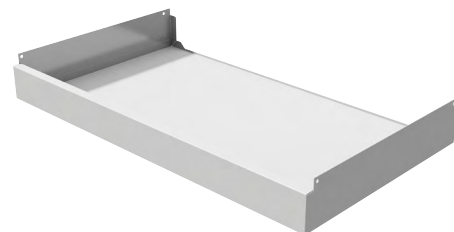
**HRV Condensate Drain Covers are designed to conceal the service pipe attached to the underside of Titon HRV units to improve overall appearance.**

The covers match the construction, quality and finish of the HRV units and can be easily installed and removed if required.

The cover has a depth of 74mm and the drainage pipe must be installed within this depth for the cover to be fitted. The drainage trap cannot be installed within this cover void, therefore it must be located in a suitable alternative position.



**TP544, TP545, TP546, TP700**



**TP547**