

Trimbox Filter®

HRV Accessories

Offering extra protection against external pollutants

Titon's new Trimbox Filter - Lined (insulated) and Unlined Units reduces outdoor air pollutants as part of your building ventilation system.

With pollution an ever increasing problem, the Trimbox Filter® allows for extra protection within the home. By adding a Trimbox Filter® to the ventilation system, it allows increased protection from external contaminants. Ideal for new build or refurbishment, the Trimbox Filter® creates a safer environment for any dwelling.

Features & Benefits

- Low pressure drop
- Low cost
- Both ISO Coarse 60% (G4) and ISO ePM1 55% (F7) pleated filter options
- Compact design
- Compatible with Titon's range of MVHR units
- Fully lined version reduces the risk of duct bound noise and condensation
- The unit can be installed in both intake air and supply ducting
- ISO Coarse 60% (G4) filter reduces 100% of PM10/35% of PM2.5 particles
- ISO ePM1 55% (F7) filter reduces up to 95% of PM2.5 particles

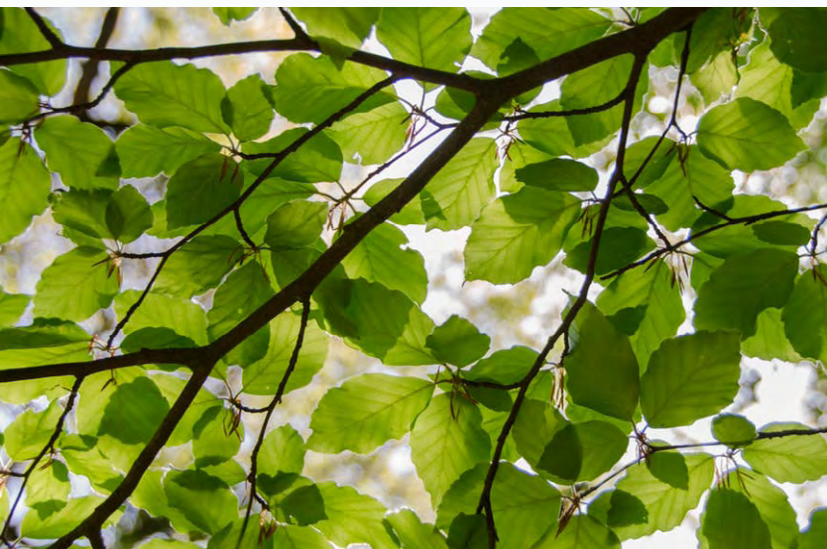
Filter



Lined - Unit
(insulated)



Unlined - Unit
(uninsulated)



Product Codes

Lined Version

TP560 - 204x60
TP561 - 220x90
TP562 - Ø125
TP563 - Ø150
TP564 - Ø160

Unlined Version

TP565 - 204 x 60
TP566 - 220 x 90
TP567 - Ø125
TP568 - Ø150
TP569 - Ø160

Replacement filters:

XP2010021 - ISO Coarse 60% (G4) Filter

XP2010121 - ISO ePM1 55% (F7) Filter

Standards

Conforms to the European standard for air filters (ISO16890 and EN779:2012).

Specification

Lined Version

Dimensions: 355mm wide x 203mm high (excluding ports) x 206mm deep.

Unlined Version

Dimensions: 338mm wide x 208mm high (excluding ports) x 200mm deep.

Lined & Unlined Versions

Port Dimension: 204mm x 60mm, 220mm x 90mm, Ø125mm, Ø150mm, Ø160mm.

Weight: 4 Kg.

Finish: White Paint/Zintec Finish.

Materials:

Housing: Zintec sheet steel housing, powder coated white.

Filters: Grade ISO Coarse 60% (G4) synthetic filters as standard/ISO ePM1 55% (F7) wet-laid glass fibre paper.

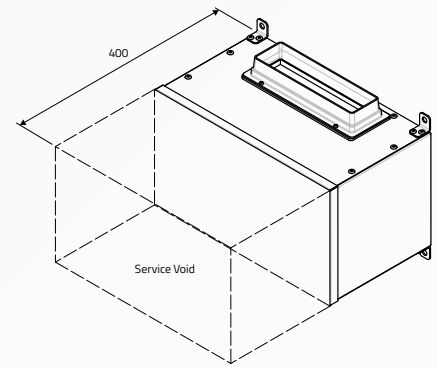
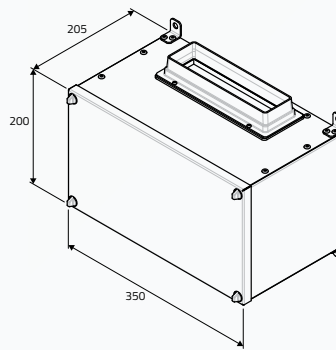
Internal insulation: Closed cell foamed nitrile rubber, class 'O' fire rating.

Installation: Install in accordance with regulatory requirements, such as the Ventilation: Approved Document F and the Residential Ventilation Association recommendations.

These units can be installed both vertically and horizontally.

Maintenance: Service and filter cleaning/replacement subject to local environment – see Product Manual.

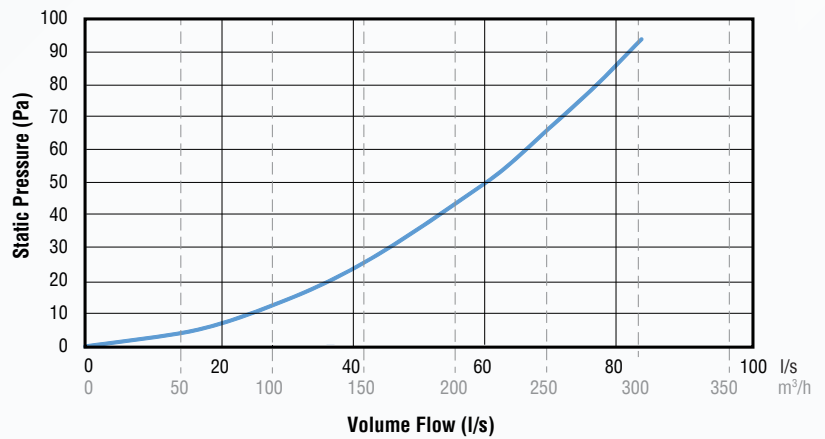
Drawing & Dimensions



Dimensions in mm

Resistance - Trimbox Filter®

ISO Coarse 60% (G4) filter



ISO ePM1 55% (F7) filter

