

# HRV Q Plus Ducting Cover

## *Fitting Instructions*

The HRV Q Plus Ducting Covers can be used on Titon HRV units that are housed in sheet steel housing (Units HRV10 and HRV10.25 that are EPP housing cannot be fitted with a Duct Cover). Duct Cover are designed to cover the duct work that go from the unit to the ceiling and are adjustable in height from 300mm to 400mm. The ducting covers are suitable for use with standard rigid or flexible ducting options. There are 4 different ducting covers depending on the unit they are designed for. They are as follows:

**TP585** – HRV1.25, 1.35 Ducting Cover

**TP589** – HRV1.6 Ducting Cover

**TP586** – HRV1.75, 2, 2.85, 3 Ducting Cover

**TP587** – HRV10M, 10.25M Ducting Cover

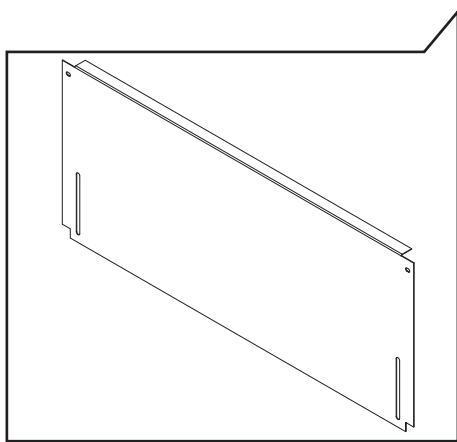
## Handling

All lifting must be in accordance with the 89/391/CEE standard (and associated updates), and/or local regulations.

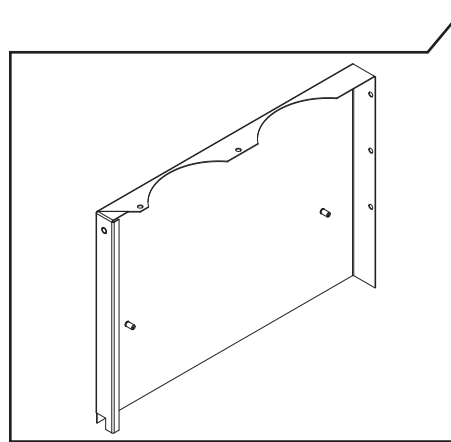
## Packing Contents

Inspect the contents in the packaging when taking delivery. Check the parts for damage and that all fixings have been supplied

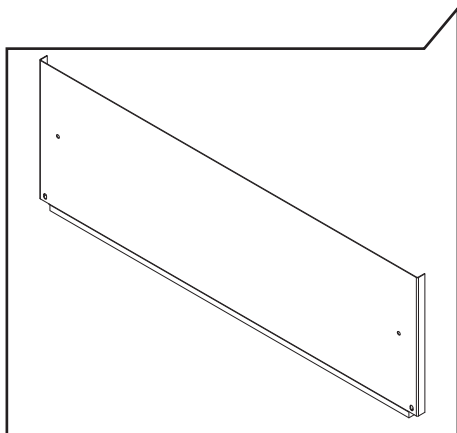
Package supplied with:-



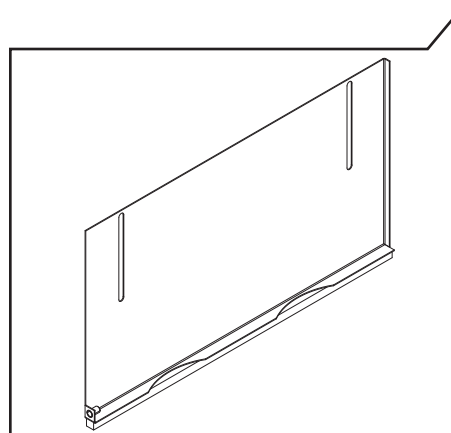
1 x Removable  
front panel



2 x Side wall  
mounting panels  
(L & R handed)



1 x Removable  
bottom front panel



2 x Side bottom  
panels  
(L & R handed)

- 6 x M5 washers
- 6 x M5 pan head screws
- 2 x M5 Square nuts
- 4 x M6 washers
- 4 x M6 Nuts
- 1 x Fitting instructions

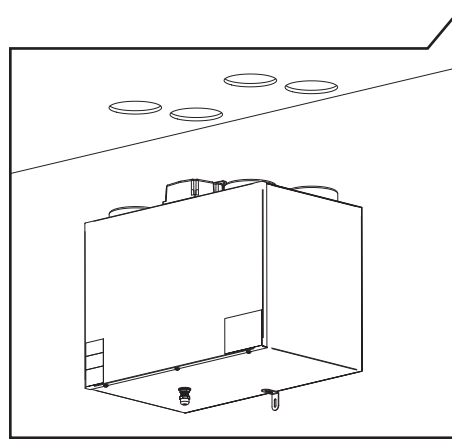
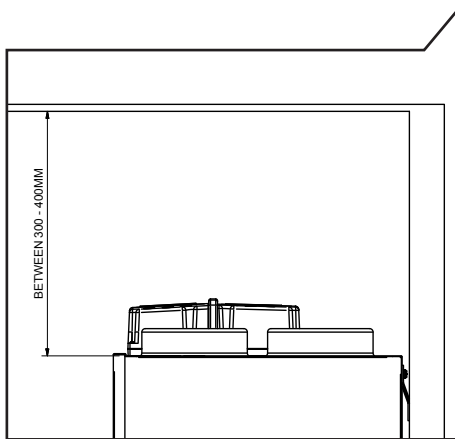
**Note: All steps are generic for all ducting covers.**

## 1 - Mount the HRV unit

Mount the HRV unit as per the HRV product manual.

Ensure that a gap of 300 to 400mm is maintained between the top of the unit and the ceiling.

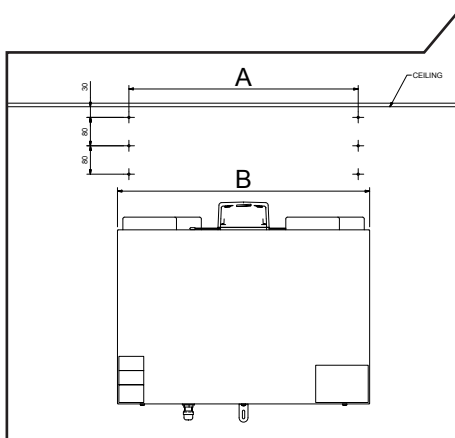
**THE DUCTING SHOULD NOT BE ATTACHED PRIOR TO THIS INSTALLATION.**



## 2 - Mark and prepare mounting holes

Prepare the mounting surface in the positions specified for six  $\text{\O}6\text{mm}$  fixings.

Leave the duct ports covers in the HRV to prevent any dust entering the unit whilst drilling into surface.

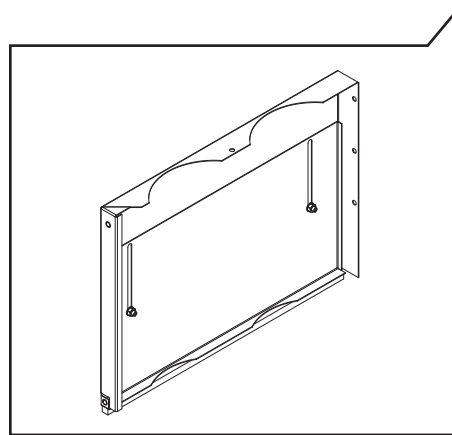
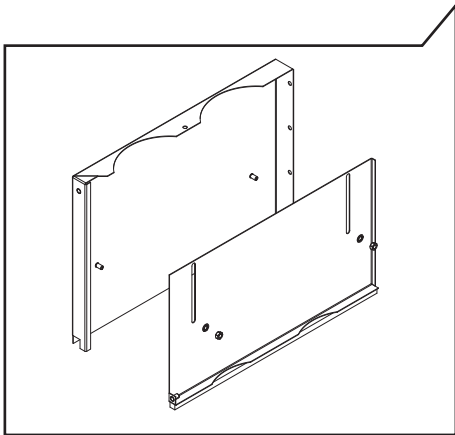


Product Code	A	B
TP585	596	596
TP586	646	706
TP587	736	796
TP589	538.5	600

### 3 - Assemble side wall mounting panels to side bottom panels

Attach side bottom panel to side wall mounting panel using 4 x M6 washers and 4 x M6 nuts provided.

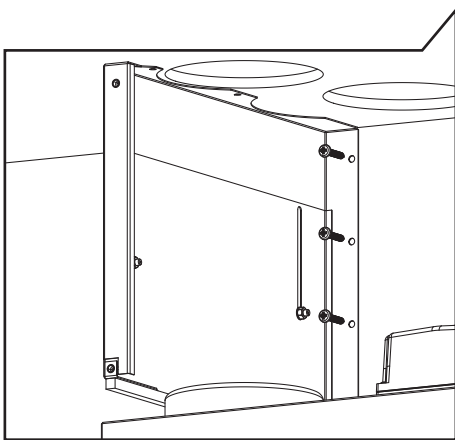
The side bottom panel is to be at its highest position as shown. This is to be actioned for both left and right panels.



### 4 - Mount side wall mounting panels

Position side wall mounting panels to the holes produced in Step 2.

Mount the side wall mounting panels using selected M6 fixings (Not provided)



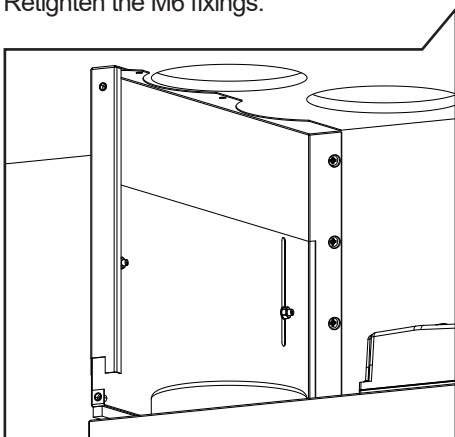
### 5 - Lower bottom extension assembly

Loosen the M6 fixings that attach the side bottom panels to the side mounting panels.

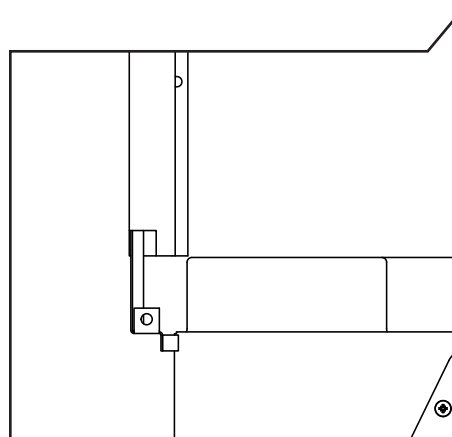
Let the side bottom panels lower so that the foam strips on the sheet metal flange comes to rest on the top of the unit.

For TP585 the ducting cover is wider than the unit due to room required for the insulated ducting. For this case the foam strip needs to be pushed up against the side of the unit and the top of the foam flush with the top of the unit.

Retighten the M6 fixings.



TP586, TP587 & TP589

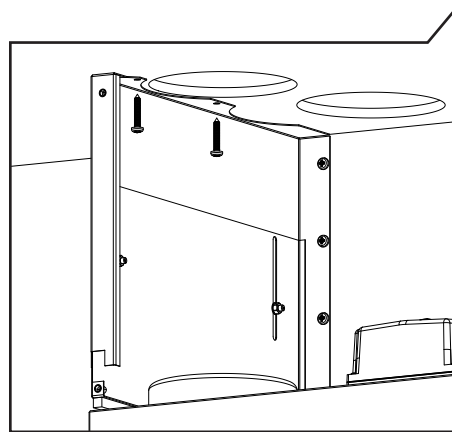
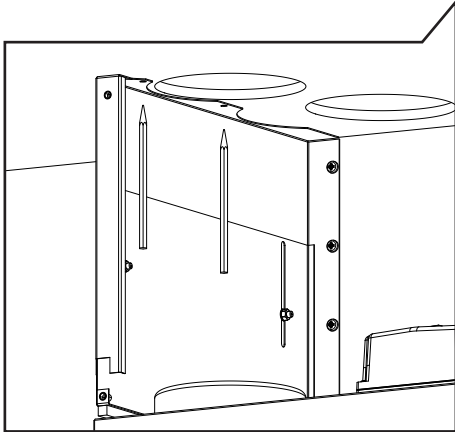


TP585

## 6 - Fix top flange to ceiling

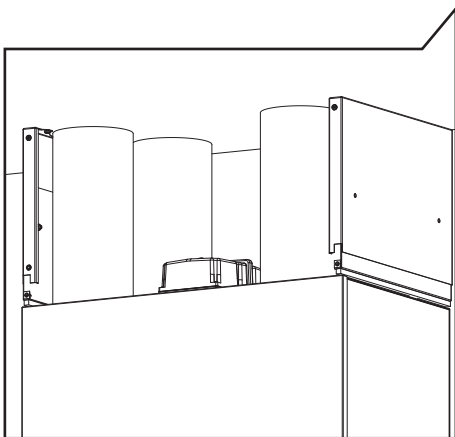
Mark out the top two holes in the side panel to the ceiling making sure that the sheet metal is flush with the side of the unit for TP586, TP587 & TP589. For TP585 the foam needs to be pushed up against the side of the unit.

Push the side of the ducting cover away from the unit so that the marked holes is visible. Prepare the surface so that the panel can be fixed into position. Fix the top of the side wall mounting panel using selected M6 fixings (Not provided).



## 7 - Connect ducting and commission unit

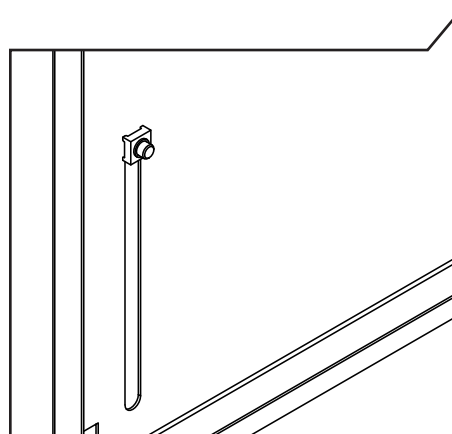
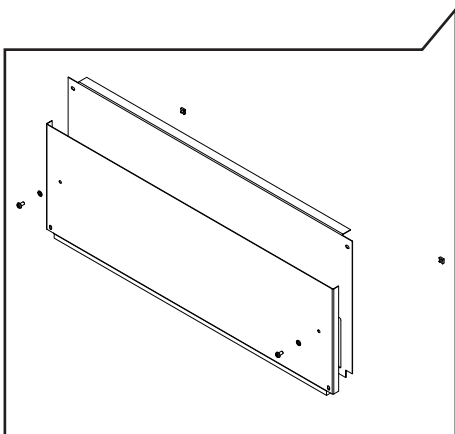
Connect ducting to unit and commission unit as per the HRV product manual.



## 8 - Assemble removable front panel to the removable bottom front panel

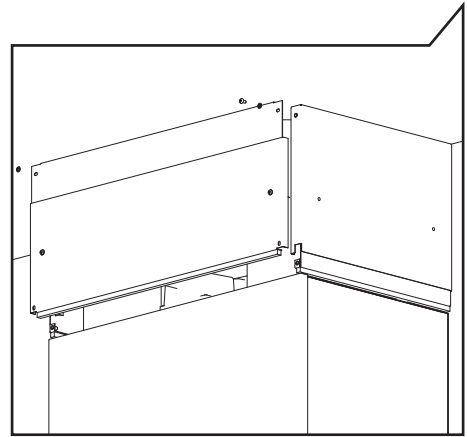
Attach the removable bottom front panel to the front panel using 2 x M5 pan head screws, 2 x M5 washers and 2 x square nuts provided.

Ensure that the face of the square nut is parallel to the side flange of the removable bottom front panel.



## 9 - Attach removable front panel assembly

Attach removable front panel at the top fixing point of the side wall mounting panel using 2 x M5 pan head screws and 2 x M5 washers provided.



Slightly loosen the two middle fixings of the removable front panel that has the square nuts.

Slide the bottom front panel downwards so that the foam rests on top of the unit then retighten the middle screws.

Attach the bottom front panel to the side bottom panels using 2 x M5 pan head screws and 2 x M5 washers provided.

For future commissioning and to remove front panel of HRV unit then remove the removable front panel assembly.

