

# HRV Q Plus Flared Ducting Cover

## *Fitting Instructions*

The HRV Q Plus Ducting Covers can be used on Titon HRV units that are housed in sheet steel housing (Units HRV10 and HRV10.25 that are EPP housing cannot be fitted with a Duct Cover). Duct Cover are designed to cover the duct work that go from the unit to the ceiling and are adjustable in height from 300mm to 400mm. The ducting cover increases in area from the top of the unit so that the area at the ceiling is large enough to accommodate round to rectangular elbows in the ceiling void. There are 4 different ducting covers depending on the unit they are designed for. They are as follows:

**TP577** – HRV1.25, 1.35 Flared Ducting Cover

**TP588** – HRV1.6 Flared Ducting Cover

**TP578** – HRV1.75, 2, 2.85, 3 Flared Ducting Cover

**TP579** – HRV10M, 10.25M Flared Ducting Cover

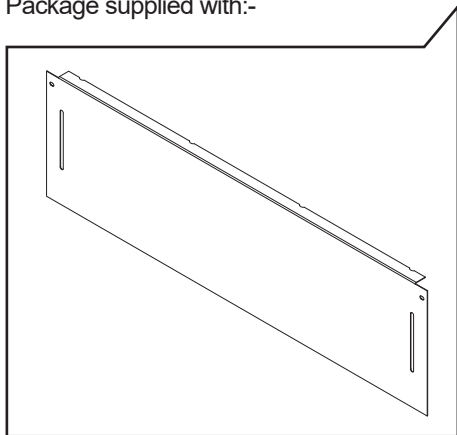
## Handling

All lifting must be in accordance with the 89/391/CEE standard (and associated updates), and/or local regulations.

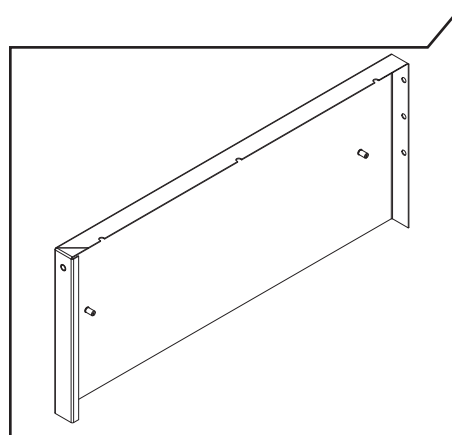
## Packing Contents

Inspect the contents in the packaging when taking delivery. Check the parts for damage and that all fixings have been supplied

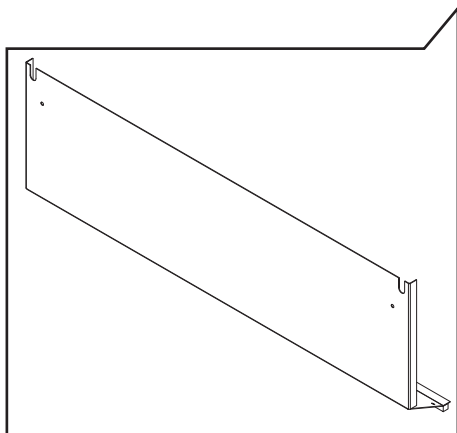
Package supplied with:-



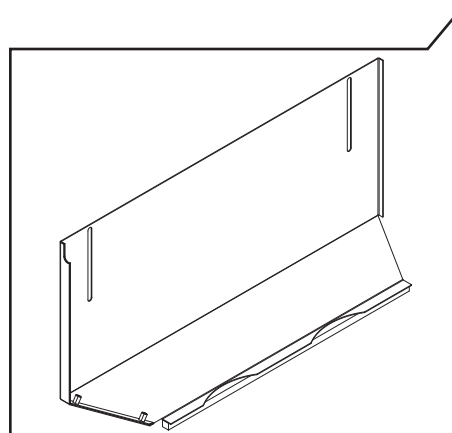
1 x Removable front panel



2 x Side wall mounting panels (L & R handed)



1 x Removable bottom front panel



2 x Side bottom panels (L & R handed)

- 8 x M5 washers
- 8 x M5 pan head screws
- 2 x M5 Square nuts
- 4 x M6 washers
- 4 x M6 Nuts
- 1 x Fitting instructions

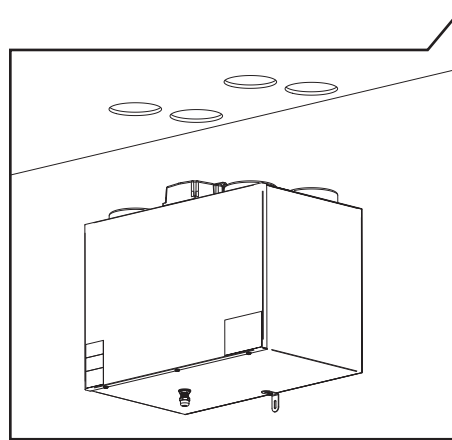
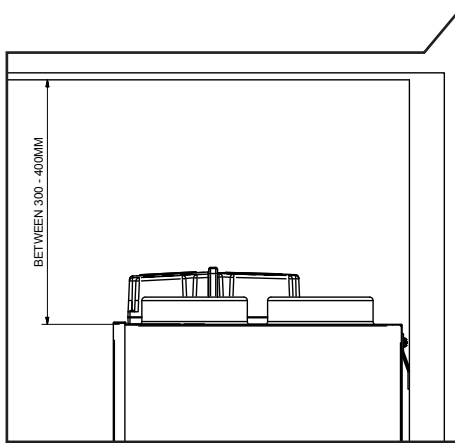
**Note: All steps are generic for all ducting covers.**

## 1 - Mount the HRV unit

Mount the HRV unit as per the HRV product manual.

Ensure that a gap of 300 to 400mm is maintained between the top of the unit and the ceiling.

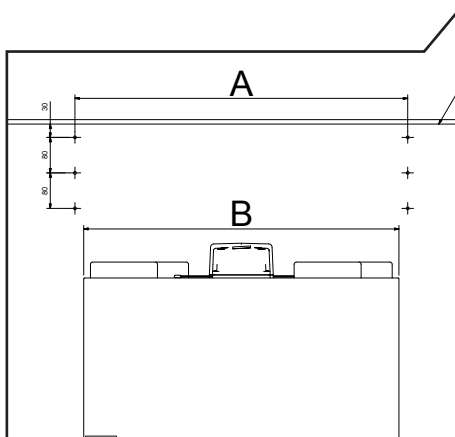
**THE DUCTING SHOULD NOT BE ATTACHED PRIOR TO THIS INSTALLATION.**



## 2 - Mark and prepare mounting holes

Prepare the mounting surface in the positions specified for six Ø6mm fixings.

Leave the duct ports covers in the HRV to prevent any dust entering the unit whilst drilling into surface.

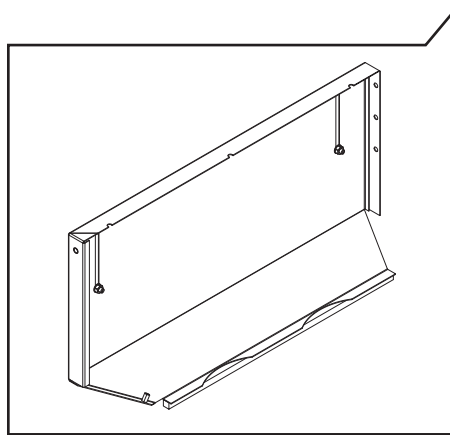
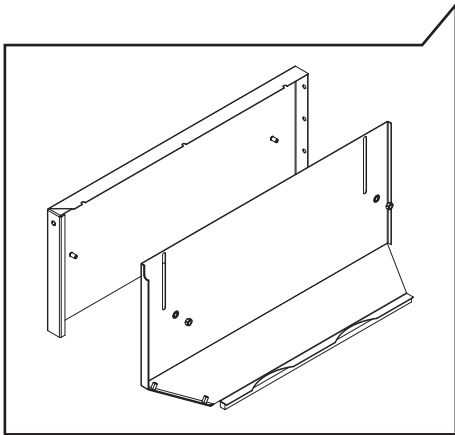


Product Code	A	B
TP577	664	596
TP578	755	706
TP579	755	796
TP588	646	600

### 3 - Assemble side wall mounting panels to side bottom panels

Attach side bottom panel to side wall mounting panel using 4 x M6 washers and 4 x M6 nuts provided.

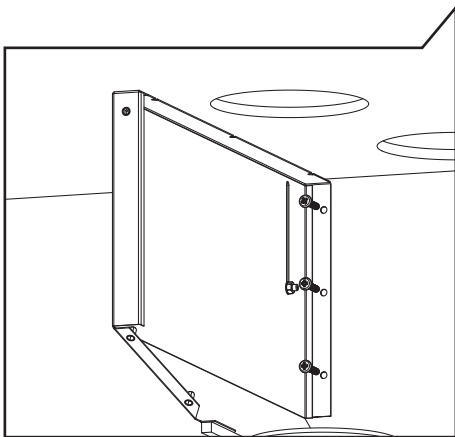
The side bottom panel is to be at its highest position as shown. This is to be actioned for both left and right panels.



### 4 - Mount side wall mounting panels

Position side wall mounting panels to the holes produced in Step 2.

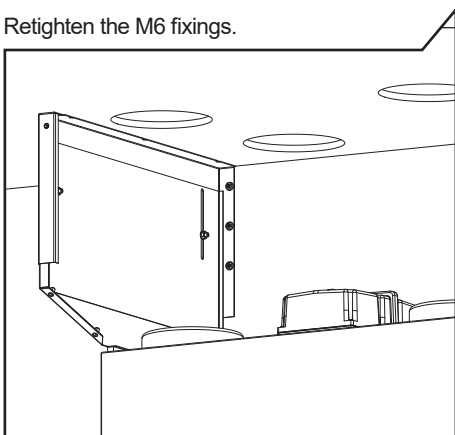
Mount the side wall mounting panels using selected M6 fixings (Not provided)



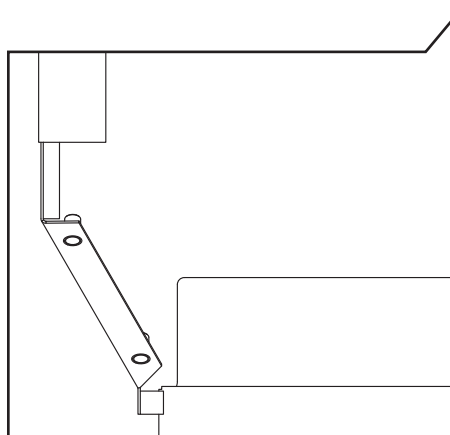
### 5 - Lower bottom extension assembly

Loosen the M6 fixings that attach the side bottom panels to the side mounting panels. Let the side bottom panels lower so that the foam strips on the sheet metal flange comes to rest on the top of the unit. For TP577 the ducting cover is wider than the unit due to room required for the insulated ducting. For this case the foam strip needs to be pushed up against the side of the unit and the top of the foam flush with the top of the unit.

Retighten the M6 fixings.



TP578, TP579 & TP588

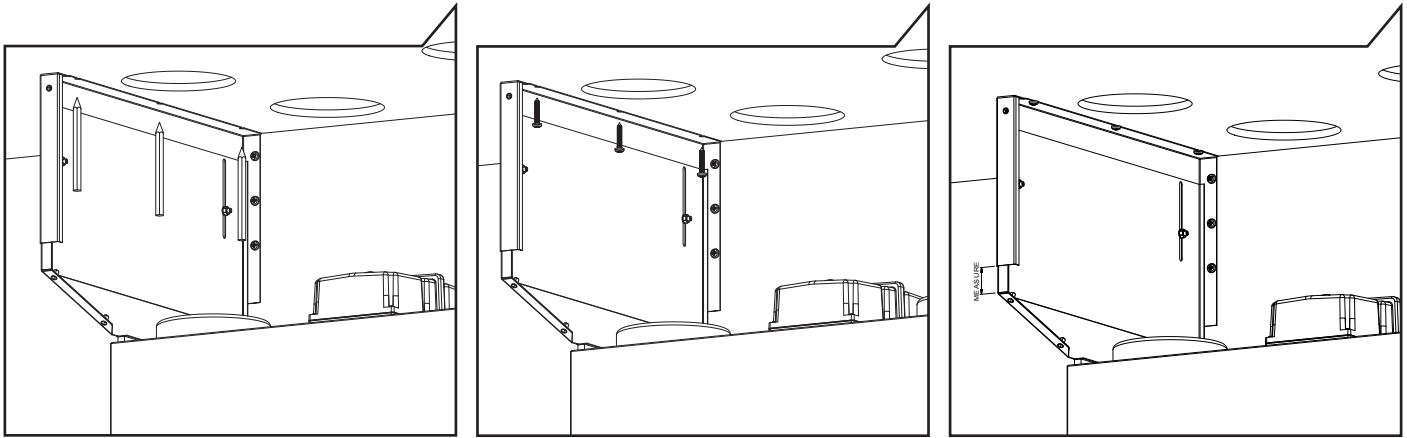


TP577

## 6 - Fix top flange to ceiling

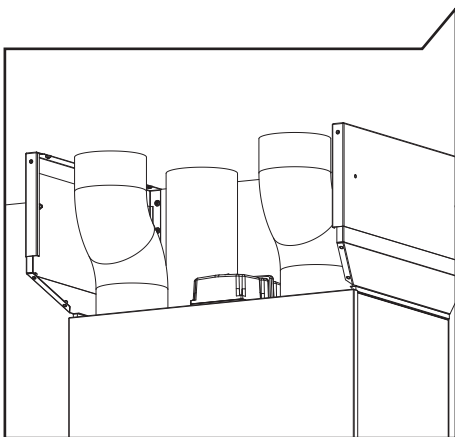
Mark out the top two holes in the side panel to the ceiling making sure that the sheet metal is flush with the side of the unit for TP578, TP579 & TP588. For TP577 the foam needs to be pushed up against the side of the unit.

Push the side of the ducting cover away from the unit so that the marked holes is visible. Prepare the surface so that the panel can fixed into position. Fix the top of the side wall mounting panel using selected M6 fixings (Not provided).



## 7 - Connect ducting and commission unit

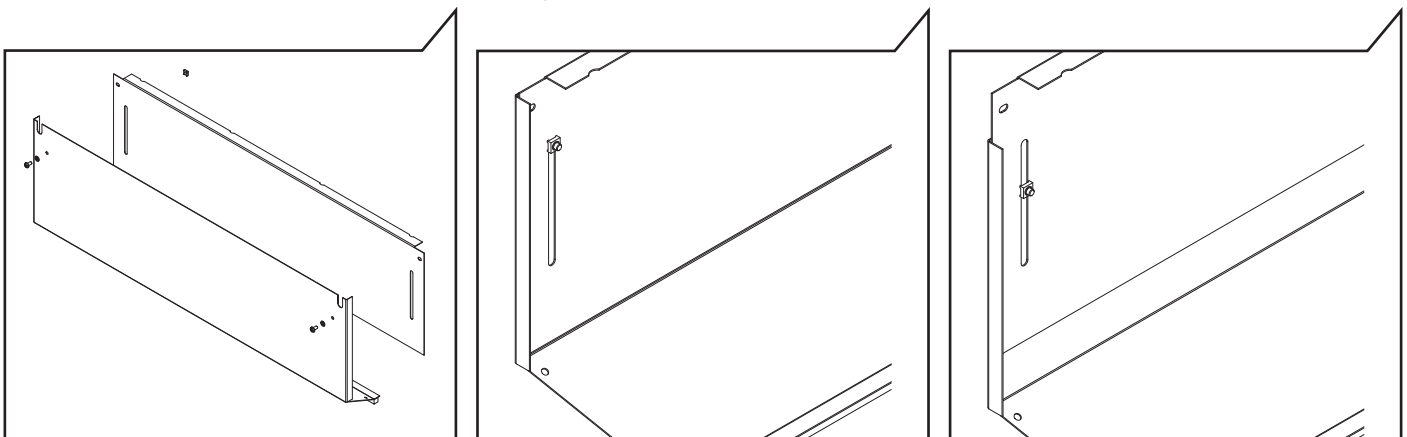
Connect ducting to unit and commission unit as per the HRV product manual.



## 8 - Assemble removable front panel to the removable bottom front panel

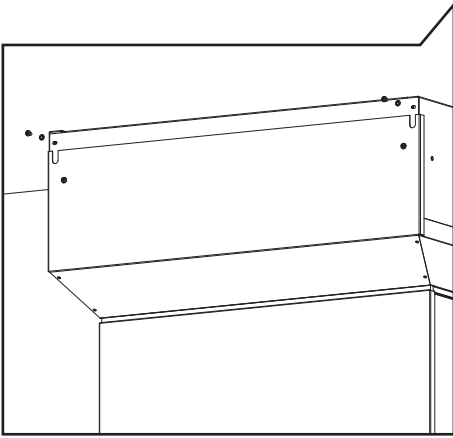
Attach the removable bottom front panel to the front panel using 2 x M5 pan head screws, 2 x M5 washers and 2 x square nuts provided.

Ensure that the face of the square nut is parallel to the side flange of the removable bottom front panel. Slide two parts apart the same amount as what was measured in note in Step 6



## 9 - Attach removable front panel assembly

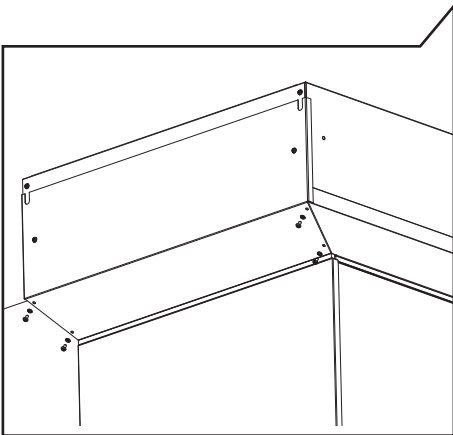
Attach removable front panel at the top fixing point of the side wall mounting panel using 2 x M5 pan head screws and 2 x M5 washers provided.



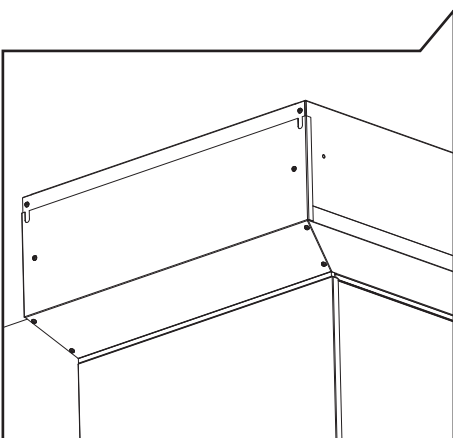
For fine adjustment of the removable front panel, slightly loosen the two middle fixings that has the square nuts. Slide the bottom front panel so that the flanges are in contact with the side panels.

Tighten screws when panel is in the desired position.

Attach the bottom front panel to the side bottom panels using 4 x M5 pan head screws and 4 x M5 washers provided.



For future commissioning and to remove front panel of HRV unit then remove the removable front panel assembly.



## Use with First Fix Unit TP591

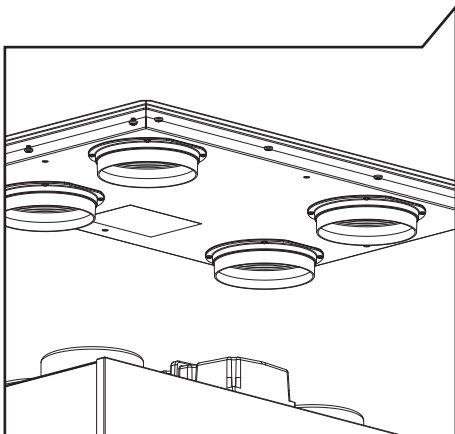
Both TP578 and TP579 can be used in conjunction with HRV *Q Plus* First Fix unit TP591.

1. Install First Fix Unit TP591.

Install First Fix Unit TP591 as described in product manual BM 887 without connecting the ducting to the unit. If ducting has already been connected to unit then disconnect.

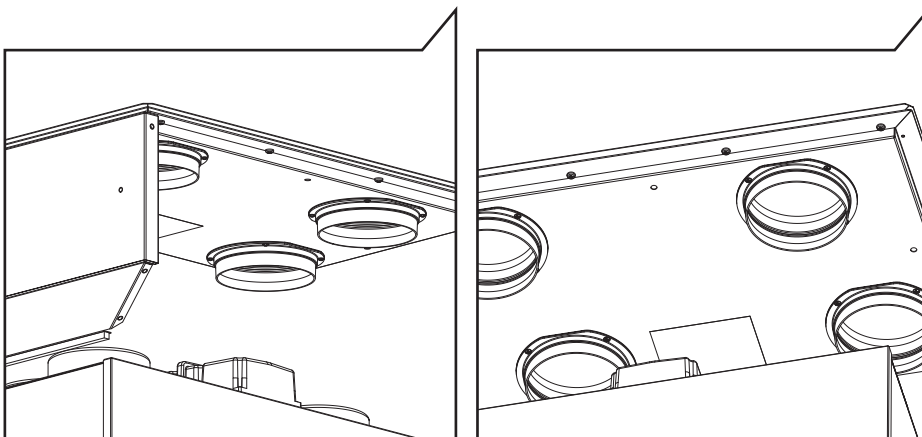
2. Loosen Side fixings in First Fix

Loosen both sets of side fixings in First Fix by 2 – 3mm.



3. Attach Side Panel of Ducting Cover

Offer up the side panel of ducting cover to the first fix unit, with the slots in the top flange of the ducting cover lining up with the fixings in the first fix.



Re-tighten the fixings in the first fix so that the side panel is secure.

Repeat step with the opposite hand side panel.

**Use Step 4 to 9 not including Step 6 to complete the installation.**