

HRV Duct Cover

HRV Accessories



Product Codes

Model	Part Number	Part Number
	Straight	Flared
HRV1.25, 1.35	TP585	TP577
HRV1.6	TP589	TP588
HRV1.75, 2, 2.85, 3	TP586	TP578
HRV10M, 10.25M	TP587	TP579
HRV20 HE	TP703	-

For use with Titon HRV units

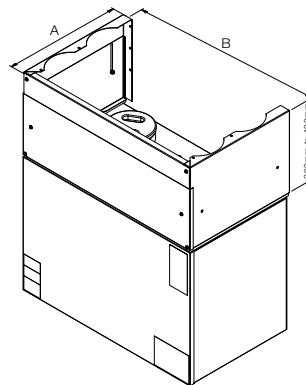
HRV Duct Covers are designed to conceal the ducting/silencers from the ports at the top of the unit to the ceiling of the property. The ducting cover also helps reduce ducting breakout noise levels into the room. This both improves the overall appearance of the installation and the noise levels.

The covers match the high quality construction and finish of the HRV units and can be easily installed. Access to the control box and ducting can be achieved easily by the removal of the front panel of the ducting covers.

The covers have an adjustable height of 300mm to 400mm so that variations in height of the unit to the ceiling can be accommodated. The covers are suitable for use with rigid or flexible ducting options, and also Titon's semi-rigid duct attenuators.

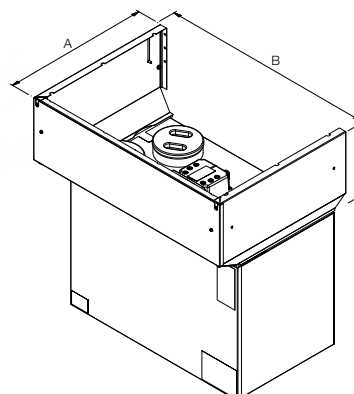
There are two types of design of covers, one that is flush with the profile of the units leaving a small area at the ceiling for the ducting to pass through and the other opens up at the ceiling so that round to rectangular elbows can be used.

Straight



Product Code	A	B	Weight (kg)
TP585	321	657	7
TP589	366	598	6.9
TP586	426	707	7.5
TP587	473	795	8
TP703	531	750	9

Flared



Product Code	A	B	Weight (kg)
TP577	419	704	8
TP588	479	687	8.8
TP578	539	795	9.6
TP579	539	795	10