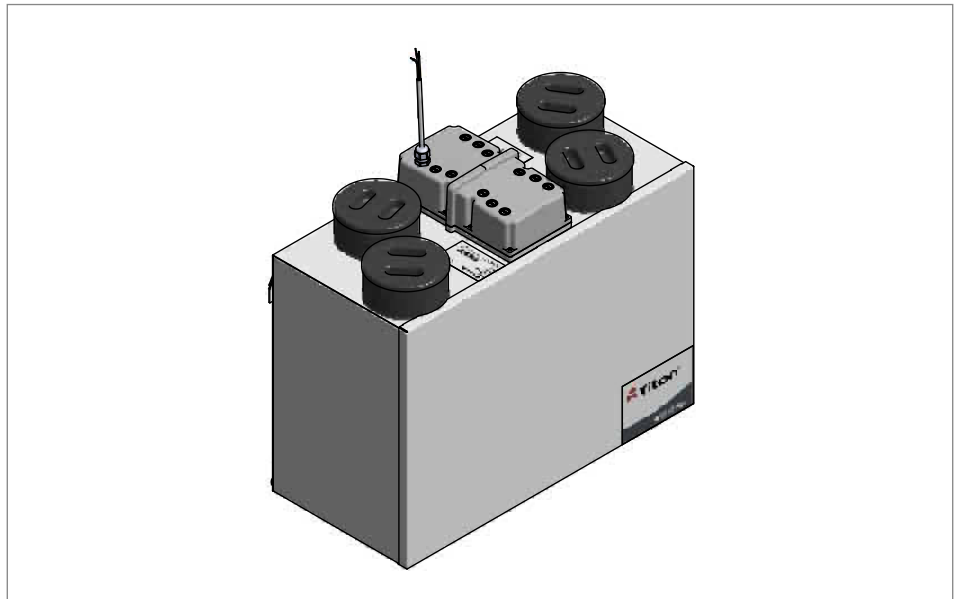


EU DECLARATION OF CONFORMITY

Product HRV1.35 Q Plus EcoAura C Enthalpy
Part Number TP418BE-LH
Manufacturer Titon Hardware Limited
Address 894 The Crescent, Colchester Business Park, Colchester, Essex, CO4 9YQ, UK.

This declaration of conformity is issued under the sole responsibility of the manufacturer.

Product Type Mechanical Heat Recovery Ventilation Unit



This object of the declaration described above is in conformity with the relevant legislation:

Harmonised Legislation:

1253/2014 Ecodesign
1254/2014 Energy Labelling
2014/35/EU Low Voltage
2014/30/EU Electromagnetic Compatibility
2012/19/EU Waste Electrical and Electronic Equipment
2011/65/EU RoHS

Harmonised Standards:

BS EN 13141-6
BS EN 55014-1
BS EN 55014-2
BS EN 60335-1
BS EN 60335-2-80
BS EN 61000-3-2
BS EN 61000-3-3
BS EN IEC 63000

Signed for and on the behalf of: Titon Hardware Limited
894 The Crescent, Colchester Business Park, Colchester, Essex, CO4 9YQ, UK.

Date: 16th December 2022



Alexandra French
Chief Executive



Paul Tarling
Operations Director



Paul S Cowell BEng (Hons) CEng MCIBSE
Technical Director