

HRV1.5 Q Plus

Highly energy efficient Heat Recovery Ventilation unit

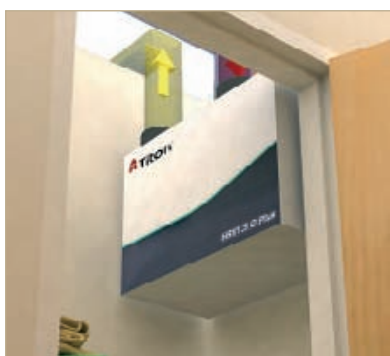


For use in small to medium sized dwellings

The compact HRV1.5 Q Plus continuously running whole house ventilation unit with heat recovery is independently tested by the BRE and is EST Best Practice compliant. The HRV1.5 Q Plus gives cutting edge performance usually only associated with much larger and more costly products.

The combination of very low power consumption and a highly efficient

heat exchanger is specifically designed to enhance SAP performance via Appendix Q, yet small enough to be easily incorporated into larger apartments or small to medium sized dwellings. The HRV1.5 Q Plus is now available with improved features and in three model options, two of which include Summer Bypass.



Features & Benefits

- **Compact unit can be fitted in cupboards or loft spaces**
- **Very low power consumption / specific fan power**
- **Highly efficient heat exchanger; up to 91%**
- **Three versions available (all the same dimensions): 'Standard', 'Summer Bypass and Duct Heater Connection', or 'Summer Bypass c/w SUMMERboost and Duct Heater Connection'**
- **Standard version has a Summer Mode feature to help reduce dwelling overheating**
- **Intelligent controller, quick and easy to commission**
- **Fully adjustable boost overrun timer 0-60 minutes; can be used with non-latching (momentary) switches to prevent unit from being accidentally left in boost mode**
- **Accepts 125mm or 150mm diameter ducting, no adaptors required**
- **Intelligent frost protection, stepped reduction of supply air rates prevents freezing**
- **Setback setting to reduce ventilation where local regulations allow**
- **Lightweight for easy handling**
- **Demand Control Ventilation ready**
- **Volt free switching control**
- **G3 filters as standard, G4 as an option. F7 on request**
- **Re-usable plastic filter frames**
- **Quick fix via mounting bracket**
- **Patented**

Description

Titon HRV1.5 Q *Plus* whole house central mechanical supply and extract unit with heat exchanger.

Product codes

TP403A

Filters: G3-XP40132/099 G4-XP46122/099

TP403ABD (with Summer Bypass and Duct Heater Connection)

Filters: G3-XP40133/099 G4-XP46133/099

TP403ABS (with SUMMERboost, Summer Bypass and Duct Heater Connection)

Filters: G3-XP40133/099 G4-XP46133/099

Standards

Conforms to requirements of UK statutory Building Regulations and Technical Standards for Ventilation. SAP Appendix Q tested (www.sap-appendixq.org.uk).

Exceeds requirements of Building Regulations Approved Document L (England & Wales).

EU RoHS Directive compliant.

Conforms to requirements of EC council directives relating to Electromagnetic Compatibility and Electrical Safety:

2006/95/EC (LVD), 2004/108/EC (EMC) EN 60335-1:2002/A2:2006, EN 60335-2-80:2003/A1:2004. CE Marked.

Other non-UK info available on request.

Specification

Dimensions: 715mm wide x 490mm high (excluding ports) x 415mm deep (426mm with mounting bracket)

Weight: 24kg

Finish: White Paint

Materials

Housing: Zintec sheet steel housing, powder coated white

Internals: Expanded polypropylene (EPP)

Heat exchanger: Polystyrene

Internal insulation: Closed cell foamed

Nitrile rubber, class 'O' fire rating

Standard filters: Grade G3 synthetic filters, flame resistance to BS5588

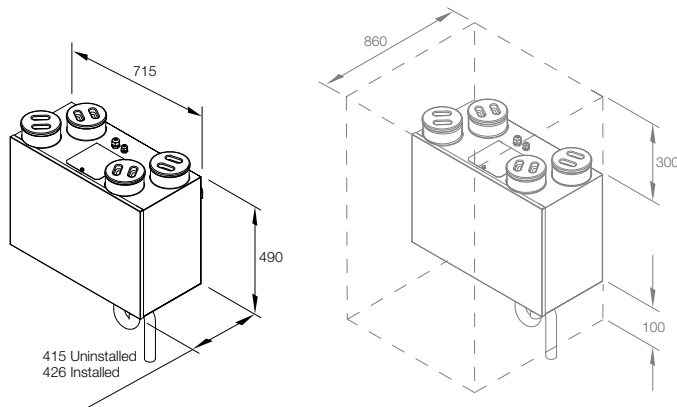
Guarantee period: 3 years (UK only)

Electrical: 230V ~ 50/60Hz, 3A fuse

Installation: Install in accordance with Good Practice, such as the Domestic Ventilation Compliance Guide (England & Wales) and the Residential Ventilation Association recommendations.

Maintenance: Service and filter clean/replacement subject to local environment - see Product Manual.

Details



Performance

The figures and compliance levels below relate to current SAP requirements. Revised SAP guidance will have an effect on performance and up to date figures can be found on the relevant product page at www.titon.co.uk

Exhaust terminal configuration*	Fan speed setting	Specific fan power (W/l/s)	Heat exchange efficiency (%)	Energy Saving Trust Best Practice Performance Compliant
Kitchen + 1 additional wet room	100% variable	0.65	91	Yes
Kitchen + 2 additional wet rooms	100% variable	0.63	90	Yes
Kitchen + 3 additional wet rooms	100% variable	0.66	90	Yes
Kitchen + 4 additional wet rooms	100% variable	0.75	89	Yes
Kitchen + 5 additional wet rooms	100% variable	0.85	88	Yes
Kitchen + 6 additional wet rooms	100% variable	0.97	88	Yes

Figures taken from the BRE Test Results

*Number of wet rooms is based on SAP Q test criteria and does not correlate directly with regulatory performance requirements

Noise Performance - details on request

Nominal fan performance

