




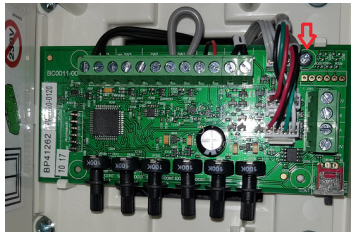
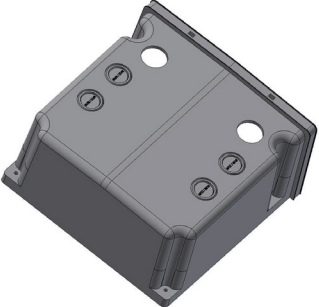
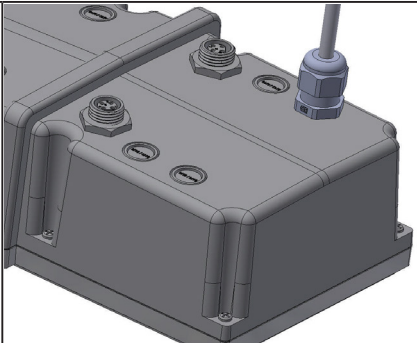
BM 981 - HMB aura-t Upgrade Kit

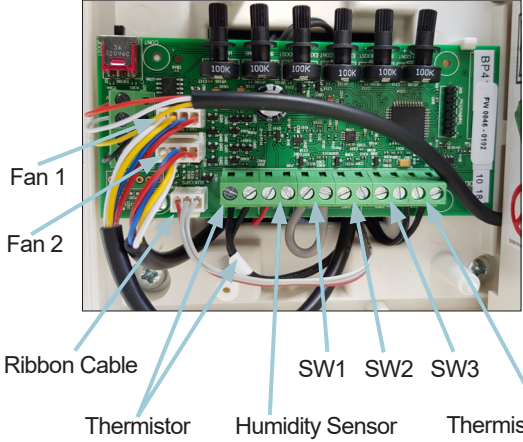
Fitting Instructions

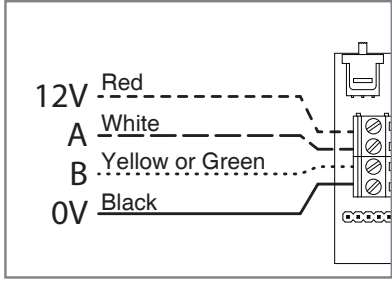
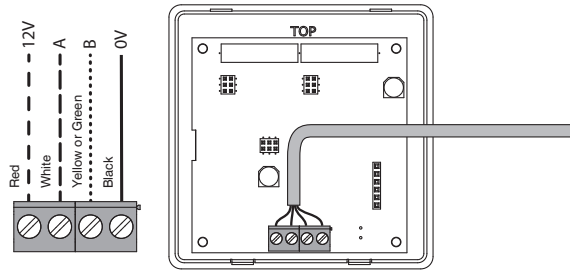
HMB aura-t™ Upgrade Kit (XP539U/014)

HRV units currently incorporating software version FW0020 can be upgraded to be compatible with our aura-t touchscreen controller.


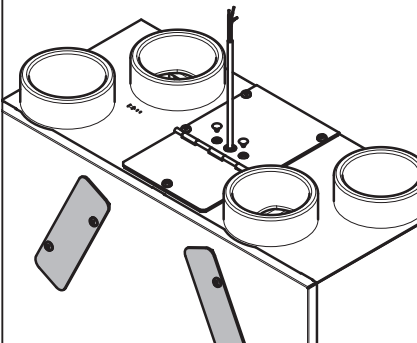
Method of Upgrade

	<p>This information sheets covers the most common models with the plastic electrical cover.</p>		<p>Product code for the unit must include the letters HMB</p>
	<p>Remove both electrical covers from the top of the unit.</p>		<p>Remove all the cables and connectors from the control PCB, making note of where each cable comes from. Also unscrew the PCB fixing screw. Remove PCB.</p>
	<p>Knock out one of the gland positions shown on the rear cover</p>		<p>Fit Plug to position/ hole selected</p>

 <p>Fan 1 Fan 2 Ribbon Cable Thermistor Humidity Sensor SW1 SW2 SW3 Thermistor</p> <p>Fit new PCB, reconnect cables and the new aura-t cable</p>	<div style="border: 1px solid black; padding: 10px; text-align: center;"> <p>This unit has been upgraded with aura-t</p> </div>	<p>Attached the supplied label to the front of the unit to advise the unit has been updated.</p>
---	--	--

 <p>12V Red A White B Yellow or Green 0V Black</p>	<p>Connection to Control PCB</p>	 <p>Red 12V White A Yellow or Green B Black 0V</p> <p>Connection to Control PCB Aura 'T'</p>
--	----------------------------------	---

Other models

	<p>The process for this version is identical, only the electrical covers and orientation of the PCB's are different.</p>		<p>This version does not allow the plug and socket to be incorporated, the plug will need to be cut off the 3m lead and the cable fed through one of the cable glands. Then connected directly onto the PCB.</p>
---	--	--	--

The unit will need commissioning after the modification have been completed.
This must be completed by a competent person

	<p>Safe isolation procedures must be followed when working on these units</p>
---	--

If in doubt contact Titon 01206 814879 or email ventsales@titon.co.uk