



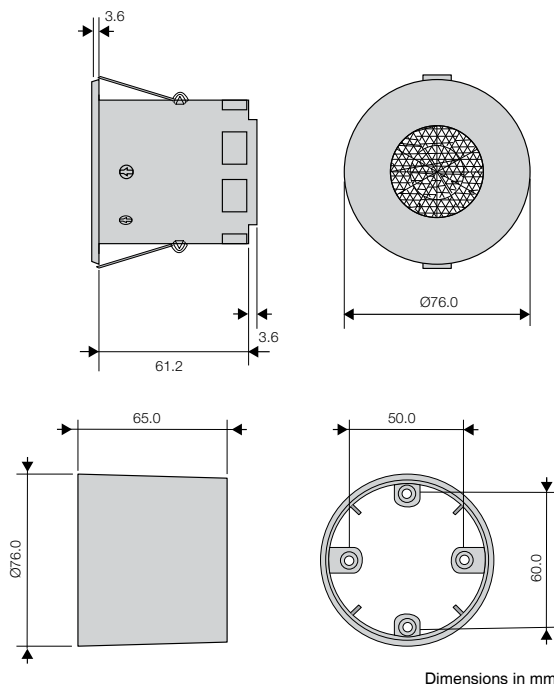
## For use with Titon HRV Q Plus Range

The TP583 ceiling mounted (passive infrared) presence detector provides automatic timed control of ventilation with optional manual control.

The output channel comprises a mains voltage relay capable of simple on/off switching. This unit provides an isolated voltage free contact output.

Functioning as a presence detector, the unit can boost when a room is occupied and off when the room is empty.

## Drawing and Dimensions



Part Number:

**TP583** Ceiling PIR presence/absence detector  
voltage free contact

**TP584** UHS5 Programming IR handset

## Features & Benefits

- **PIR Sensor** - Detects movement within the unit's detection range, allowing load control in response to changes in occupancy.
- **IR Receiver** - Receives control and programming commands from an IR (infrared) handset.
- **Light Level Sensor** - Measures the overall light level in the detection area
- **Status LEDs** - The LED flashes Red to indicate the following; Power Input & Switch Input Connector. Used to connect mains power to the unit and to connect a switch to manually override the lights on or off.
- **Output Connector** - Connection to a switched load.

## Specification (Load)

<b>Weight</b>	0.15kg
<b>Supply Voltage</b>	230VAC +/- 10%
<b>Frequency</b>	50Hz

### Maximum Load:

- Normally open contact
- 6 Amp fluorescent lighting and resistive
- 3 Amp compact fluorescent lighting
- 3 Amp low energy lighting
- 3 Amp low voltage lighting (switch primary of transformer)
- Fluorescent lighting (max 6 fittings recommended)
- Fluorescent lighting (max 6 fittings recommended)
- For fluorescent lighting total power factor correction capacitance must not exceed 40µF.
- 3 Amp fans and ventilation equipment
- Switch SON lighting loads via a contactor
- Minimum load 100mA
- Normally closed contact
- 2 Amp maximum
- Minimum load 100mA

<b>Time Period</b>	1-30 minutes
<b>Power consumption</b>	On 286mW, Off 728mW
<b>Terminal Capacity</b>	2.5mm <sup>2</sup>
<b>Temperature</b>	-10°C to 35°C
<b>Humidity</b>	5 to 95% non-condensing
<b>Material (casing)</b>	Flame retardant ABS and PC/ABS
<b>Type</b>	Class 2
<b>IP rating</b>	IP40
<b>Compliance</b>	EMC-2004/108/EC LVD-2006/95/EC

## Wiring Diagram

