

PIR | Presence/Absence

Detector and handset

For use with Titon HRV Q Plus Range

The TP583 ceiling mounted (passive infrared) presence detector provides automatic timed control of ventilation with optional manual control.

The output channel comprises a mains voltage relay capable of simple on/off switching. This unit provides an isolated voltage free contact output.

Functioning as a presence detector, the unit can boost when a room is occupied and off when the room is empty.

Product Number

Ceiling PIR presence/absence detector volt free contact - **TP583**

UHS5 Programming IR handset - **TP584**

Features & Benefits

- **PIR Sensor** - Detects movement within the unit's detection range, allowing load control in response to changes in occupancy.
- **IR Receiver** - Receives control and programming commands from an IR (infrared) handset.
- **Light Level Sensor** - Measures the overall light level in the detection area
- **Status LEDs** - The LED flashes Red to indicate the following; **Power Input & Switch Input Connector**. Used to connect mains power to the unit and to connect a switch to manually override the lights on or off.
- **Output Connector** - Connection to a switched load.

Specification (Load)

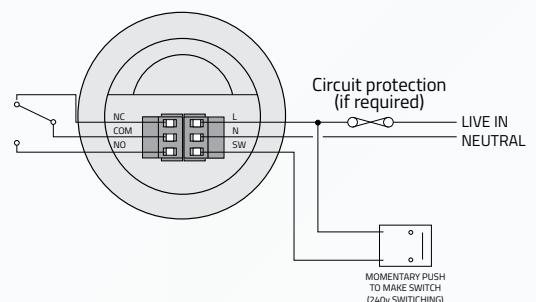
Weight 0.15kg
Supply Voltage 230VAC +/- 10%
Frequency 50Hz

Maximum Load:

Normally open contact
6 Amp fluorescent lighting and resistive
3 Amp compact fluorescent lighting
3 Amp low energy lighting
3 Amp low voltage lighting (switch primary of transformer)
Fluorescent lighting (max 6 fittings recommended)
Fluorescent lighting (max 6 fittings recommended)
For fluorescent lighting total power factor correction capacitance must not exceed 40µF.
3 Amp fans and ventilation equipment
Switch SON lighting loads via a contactor
Minimum load 100mA
Normally closed contact
2 Amp maximum
Minimum load 100mA

Time Period 1-30 minutes
Power consumption On 286mW, Off 728mW
Terminal Capacity 2.5mm²
Temperature -10°C to 35°C
Humidity 5 to 95% non-condensing
Material (casing) Flame retardant ABS and PC/ABS
Type Class 2
IP rating IP40
Compliance EMC-2004/108/EC LVD-2006/95/EC

Wiring Diagram



PIR



Drawing and Dimensions

