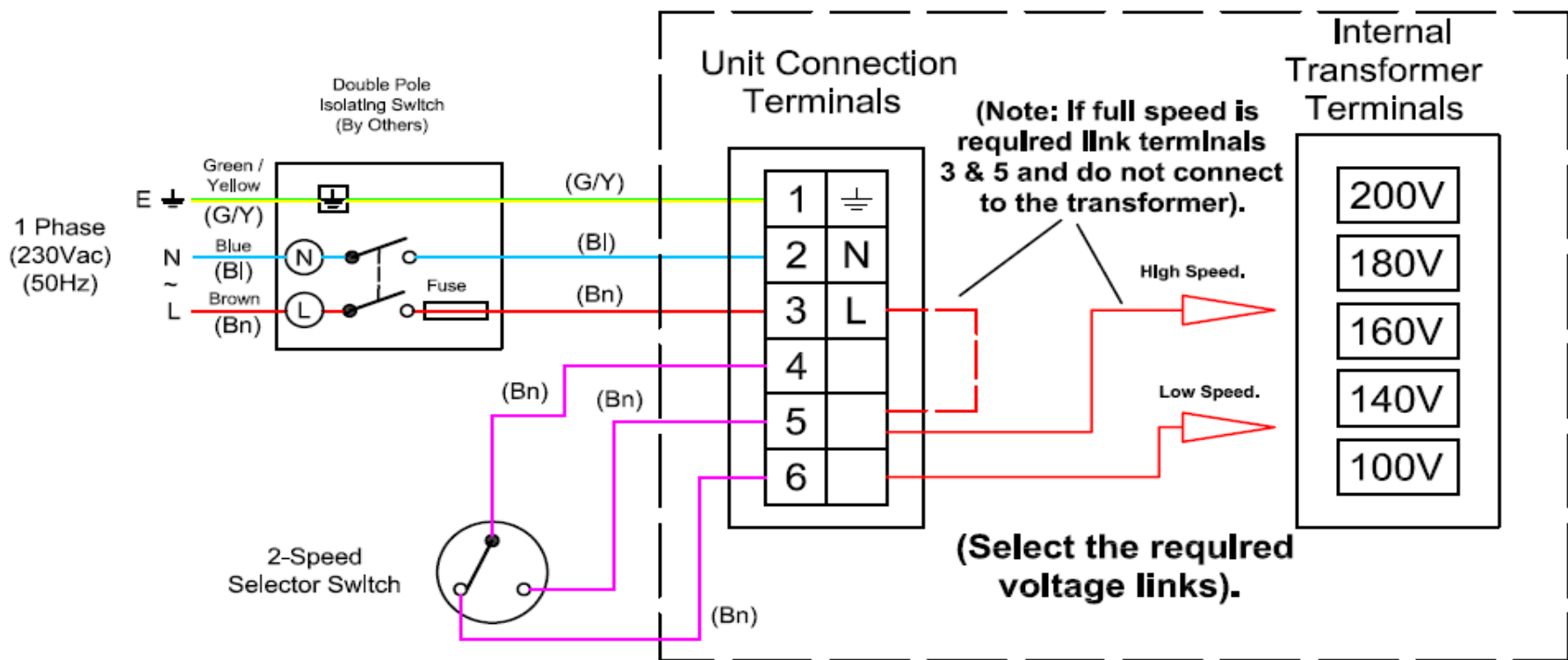


WHR150 Wiring Details



MARKETING DIVISION

International House, Peartree Road, Stanway, Colchester, Essex CO3 0JL, United Kingdom

Tel: +44 (0) 1206 713800 **Fax:** +44 (0) 1206 543126 **Email:** enquiries@titon.co.uk **Web:** www.titon.com

Titon Hardware Limited is a wholly-owned subsidiary of Titon Holdings Plc. Registered in England and Wales (registered no. 1071731) VAT GB 676686470
 Trading Address and Registered Office: International House, Peartree Road, Stanway, Colchester, Essex CO3 0JL, United Kingdom



ISO 14001
EMS 513709



ISO 9001
FM 26687