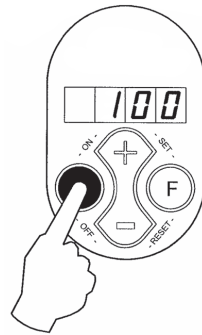


Step 3 - Store fan speed setting.

- To store fan speed press **+** and **F**.
- To not save press **OK**.
- Restore factory setting press **OK** and **-**.



To store fan speed
press **+** and **F**



To not save press **OK**

Step 4 - Press **OK** to return to the settings menu - Repeat steps 1 to 3 for further modifications.

Step 5 - Press **OK** to return to the settings menu, then press **F** for 1 second to return to the main menu. The unit is now set.

Process for setting extract and supply terminals.

Before commencing system commissioning ensure compliance with Section 1: Installation Guidance of the Standard Assessment Procedure 2005 - Appendix Q MVHR Installation Guide.

- All extract and supply terminals must be set such that the correct flow rate is achieved for the room in which it is situated, this must be done using:
 - A calibrated anemometer or similar airflow measuring device.
 - The Titon system design specification for the room flow rates and fan speed settings.
 - The Speed Setting Control Switch.

Process for setting room extract and supply rates.

1. Ensure all external & internal windows and doors are closed.
2. Ensure that all the extract terminals are extracting air from the wet rooms and that all supply terminals are supplying air to the habitable rooms.
3. Set the supply flow rates with the unit on fan speed setting 1. (Low rate/Continuous).
4. Set the extract flow rates with the unit on fan speed setting 2. (High rate/Boost).

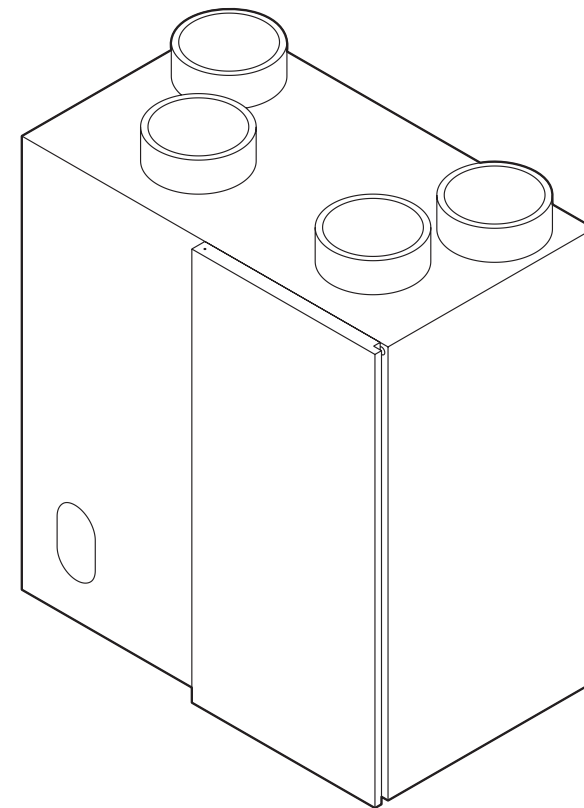
Rotate the terminals to adjust the flow rate to the required value. Checking and rechecking of the terminals is required, as when one terminal is adjusted it affects the others. Adjustment of supply terminals does not affect the flow rate of the extract terminals, and visa versa.

If the flow rates cannot be achieved using the fan speed settings specified, increase the unit's fan speed setting incrementally until flow rates are reached.

When the fan speed settings have been set and the terminals are providing the specified flow rates, tighten all lock nuts on the individual ventilation room terminals to prevent accidental occupier adjustment.

* The system must be set to provide the ventilation rates in accordance with the Approved Document F1 'Means of ventilation' Building Regulations, England & Wales if applicable. Failure to install the heat recovery unit and ducting correctly is the sole responsibility of the contracted installer. Titon will not accept any responsibility for incorrectly fitted systems or failure to follow these instructions and this may invalidate the unit warranty.

BM813 Iss 02

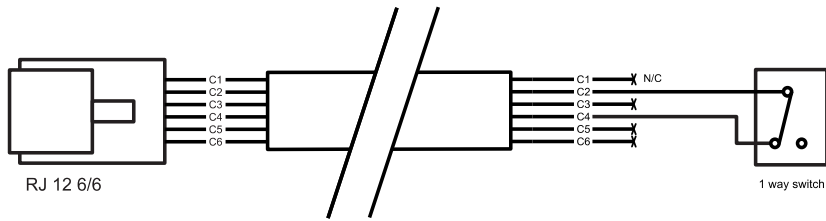


Energy-Saving Whole House Heat Recovery Unit

MARKETING DIVISION

International House, Peartree Road, Stanway, Colchester, Essex CO3 0JL
 Tel: +44 (0) 1206 713800 Fax: +44 (0) 1206 543126
 Email: enquiries@titon.co.uk Web: www.titon.com

Control switch wiring diagram.



Before installation and commissioning you will need:

- WHR180 or WHR350 manufacturer's installation and user instructions.
- Titon ventilation system design specification and parts list.
- A copy of Standard Assessment Procedure 2005 - Appendix Q - MVHR Installation Guide (available from www.sap-appendixq.org.uk/documents/MVHR_Installation_Guide_Final.pdf).
- Calibrated cone anemometer or similar airflow measuring device.
- Tool to lock the room ventilation terminals.

Installation guide

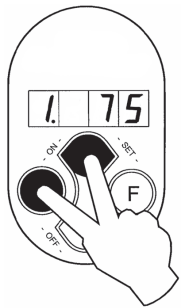
Titon recommend the installation guidance given in Standard Assessment Procedure 2005 - Appendix Q of the MVHR Installation Guide is followed; not doing so can lead to problems in commissioning or failure of the system to meet the requirements of applicable Building Regulations*.

Commissioning

Note: The instructions included in this commissioning guide are product specific and take precedence over some parts of Section 2: Commissioning Guidance of Appendix Q MVHR Installation Guide.

Before switching the unit on for the first time ensure that all ventilation terminals (extract and input) are fully open and the unit filters are present and clean.

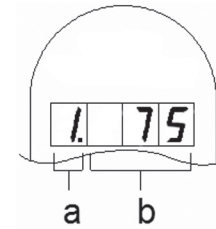
To turn on unit press "OK" and "+" simultaneously



WHR180 & WHR350 - Installation and Commissioning Guide

The fan speeds of the WHR180 and WHR350 are factory set to 75 (program 1) and 100 (program 2). These must be modified in accordance with the Titon system design specification.

a	Speed Setting Control Switch Position
b	Speed Setting



Modifying fan speeds

- Step 1** - Select fan speed that requires modification.
- Press **F** for 3 seconds to activate 'settings menu'.
 - Use **+** to select desired parameter.



Press **F** for 3 seconds to activate 'settings menu'

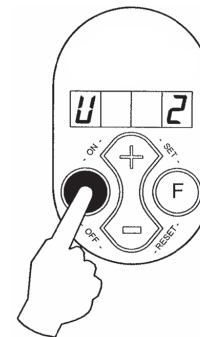


Use **+** to select desired parameter

User Setting	Speed Setting
1	Setting 1
2	Setting 2
3	Not Used
4	Not Used
5	Not Used

- Step 2** - Set fan speed, refer to the Titon system design specification for fan speed values.

- Press **OK** for 1 second to display the fan speed value.
- Modify fan speed value using the **+** or **-**.



Press **OK** for 1 second to display the fan speed value



Modify fan speed value using the **+** or **-**