




## Installation and Maintenance Instructions MVS-8 Central Extract Fan

 Please read these instructions carefully before assembling or using the unit.

The following pictograms are used in these instructions:


 Indicates that care is required to avoid damage to the unit

 Indicates risk of electric shock

#### Technical Specifications


Model no	MVS-8
Voltage	230 Volt
Frequency	50 Hz
Power (W)	41/22/7 W
Dimensions (wxhxd)	365x280x280 mm
Weight	3.3 kg

#### Safety instructions:

-  Keep these instructions for future reference.
- Mount the unit out of reach of children
  - This electrical appliance meets all current safety regulations. In order to prevent accidents installation and repair should only be carried out by a suitably qualified person.

#### Package contents:


- Wholehouse ventilation unit
- Fitting instructions
- Guarantee

 **Electrical safety:**  
 - The unit is only suitable for mains voltage supply (230V 50 Hz).

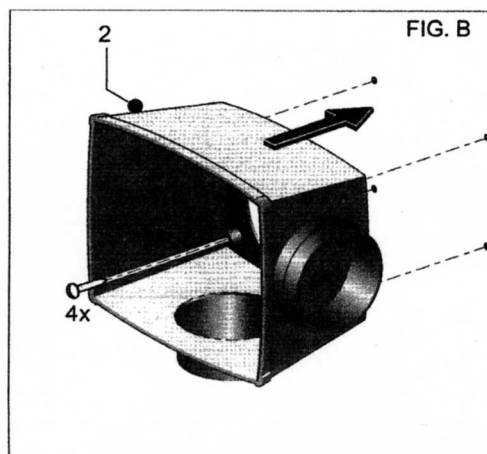
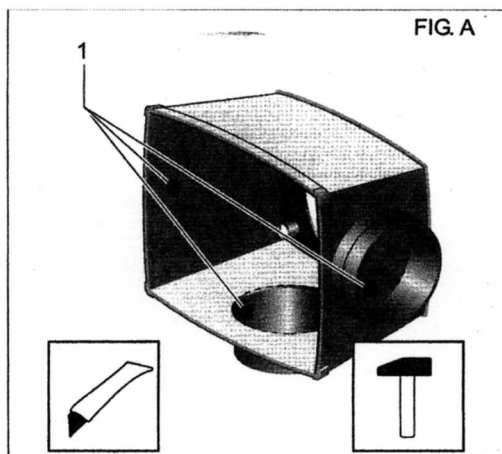
#### Description:

This wholehouse ventilation unit has been designed to remove stale and moist air from domestic dwellings. It has four duct spigots of 125mm diameter and is suitable for the ventilation of all room types - kitchens, bathrooms, utility rooms, en-suites and wc's. The unit is designed to run continuously and subsequently there is no off position on the unit or the remote controller. The installer should ensure that there is sufficient air replacement (air bricks, vents and trickle ventilators) in the dwelling for the unit to perform satisfactorily and without excessive back pressure that could interfere with gas appliances not fitted with a balanced flue.


#### Mounting:

 Always observe the safety instructions and any local regulations.

- Always mount the wholehouse ventilation unit on a flat surface ie. a wall or ceiling.
- Remove the blanking plates (1) (fig A) using a hammer to tap the plates from the inside of the housing. If necessary score with a craft knife to ease removal. Only remove as many blanking plates as required by the installation.
- Push the guide vane into the hole in the bottom of the housing (2) and turn it until it clicks securely into place.
- Fit the housing (2) securely to the mounting surface (fig B).
- Fit the ducts, from each of the rooms to be ventilated, securely to the spigots on the housing.
- Mount the fan assembly (3) (fig C). It has a bayonet catch and will click securely into place.
- Fit the exhaust duct between the outlet of the fan assembly and the exhaust outlet in the wall or roof.



- If required, the motor plate and the cover (FIG D, 4) can be removed again.
- Now mount the discharge line between the wing nozzle of the ventilator and the roof lead-through.

 The electrical connection has been indicated in figure E.

**Legend to figure E:**


N	= zero
L3	= low speed
L2	= middle speed
L1	= high speed

**USE**

- Put for minimum use the switch in position 0 (night position)
- Put for normal use the switch in position 1 (day position)
- Put for maximum ventilation the switch in position 2 (cooking position)

**Maintenance and Cleaning:**

The motor is fitted with sealed bearings and there are no other user serviceable parts in the unit.

 Always isolate the unit by removing the plug before cleaning the fan and housing with a soft damp cloth to remove the build up of any airborne dust and fluff.

**Guarantee:**

This product is guaranteed for 12 months and is covered by replacement. Titon are happy to provide you with any assistance you may require with all aspects of service enquiries.



This electrical appliance has been radio and TV suppressed in compliance with directives 76/889/EEC and 82/499/EEC.

