



### For use with Titon's HRV Q Plus and CME Q Plus Ranges

The new Titon FireSafe® Air Brick Range is a unique high flow terminal designed for powered ventilation systems offering low resistance to airflow, but high resistance to fire as set out in Approved Document B (fire safety) volume 1: Dwellings, 2019 edition. Constructed from sheet steel (A1) and polyester powder coated to classification A2-s1, d0.

The Titon FireSafe® Air Brick is designed to be built into external wall types during construction. The range consists of short and long versions and can easily be connected to 220x90 rectangular ducting.

#### Description

Titon FireSafe® Double Air Brick

#### Product Codes

- TA364** - Titon FireSafe® Air Brick 204x128x100/
- TA365** - Titon FireSafe® Air Brick 204x128x100 Bezelled
- TA372** - Titon FireSafe® Air Brick 204x128x400/
- TA373** - Titon FireSafe® Air Brick 204x128x400 Bezelled
- TA374** - Titon FireSafe® Air Brick 204x128x500/
- TA375** - Titon FireSafe® Air Brick 204x128x500 Bezelled

#### Accessories

- TA366** - Transition 204x128 to 220x90
- TA384** - Metal Sleeve 220x90x400
- 8960287** - Intumescent Fire Stop Mastic (Sealant)



### Features & Benefits

- Polyester Powder Coating meeting EN13501-1 classification A2-s1,d0
- Material 1mm Electrogalvanized Sheet Steel, fire class A1 'no contribution to fire'
- Designed for 220x90 ducting
- Bezelled version for use with exterior cladding instead of brickwork
- Non-combustible as set out in Approved Document B (fire safety) volume 1: Dwellings, 2019 edition
- High flow terminal designed for powered ventilation systems offering low resistance to airflow and high resistance to fire
- Extensive versatile range for different installation options
- Registered Design
- Also available in Single brick (204x60 and 330x60) options
- Special paint finishes available depending on quantity
- Performance tested to BS EN13141-2:2010
- Corrosion resistance - salt spray tested to BS EN ISO 9227:2012
- Optional lengths available at request
- Compatible with thermal and rigid ducting

#### Specification

##### Materials:

Steel Electrolytically Zinc Coated (BS EN 10152 DC01 ZE25/25)

##### Paint:

Powder Coated (A2-s1, d0 classification to EN 13501-1)

##### Registered Design

- TA364** - Registered Design No 6080907
- TA372** - Registered Design No 6080908
- TA374** - Registered Design No 6080908

**Finishes:** Terracotta, Sand, Grey, White or Brown

Colour Reference (add to end of part number)  
/023 - Brown (Semigloss RAL 8017)  
/086 - Terracotta (Matt RAL 8004)  
/151 - White (Matt RAL 9010)  
/397 - Grey (Matt RAL 7012)  
/626 - Sand (Matt RAL 1001)

##### Installation:

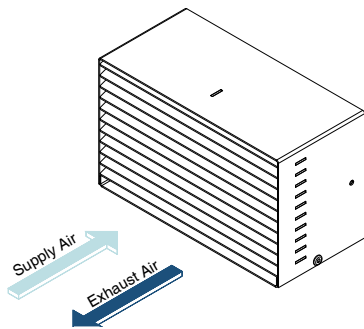
Install in accordance with Residential Ventilation Association Good Practice recommendations – details on request.

**Maintenance:** Wipe with a damp cloth and remove any blockages on a regular basis.

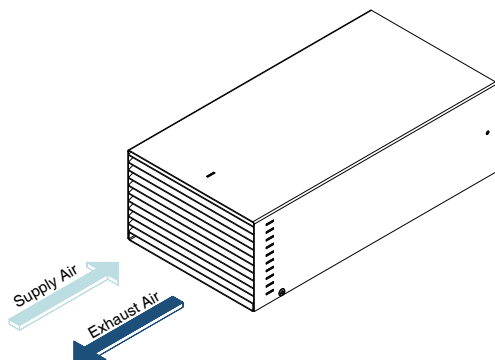
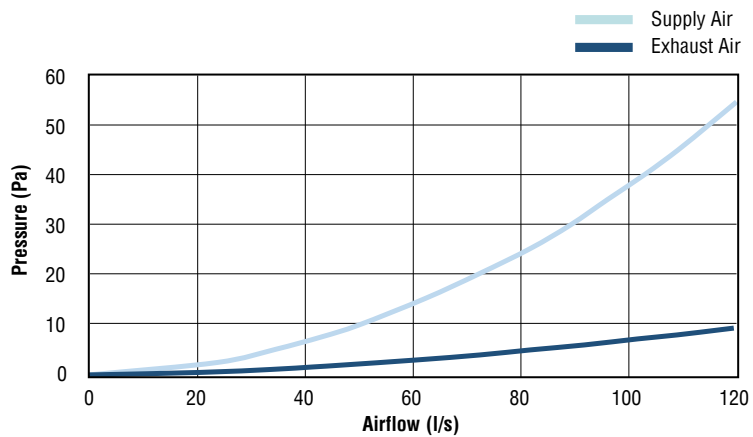
##### Free Area:

**TA364, TA365, TA372, TA373, TA374 & TA375**  
Titon FireSafe® Air Brick AAO = 20,111 mm<sup>2</sup>

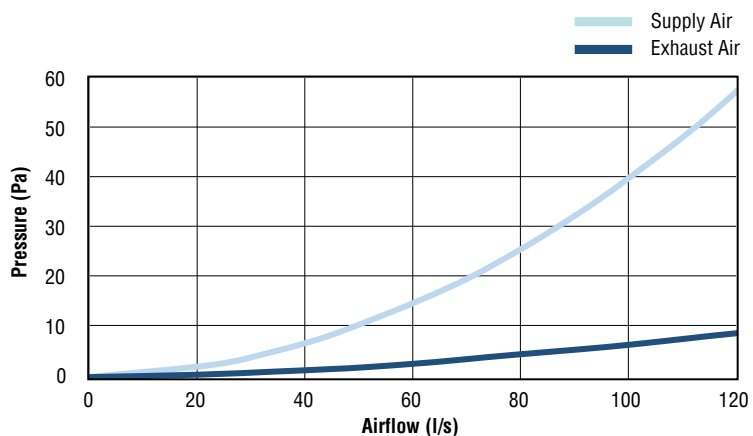
## High Flow Terminal Resistance - 204x128x100/400/500



- TA364** – Titon FireSafe® Air Brick 204x128x100/
  - TA365** – Titon FireSafe® Air Brick 204x128x100 Bezelled With
  - TA366** – Transition 204x128 to 220x90
- \*Resistance curve - air brick and accessory combined.



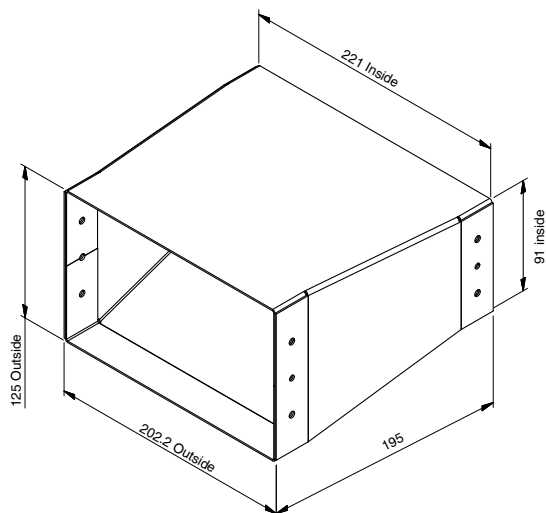
- TA372** - Titon FireSafe® Air Brick 204x128x400/
  - TA373** - Titon FireSafe® Air Brick 204x128x400 Bezelled
  - TA374** - Titon FireSafe® Air Brick 204x128x500/
  - TA375** - Titon FireSafe® Air Brick 204x128x500 Bezelled
- With
- TA366** - Transition 204x128 to 220x90~
- \*Resistance curve - air brick and accessory combined.



## Drawings & Dimensions

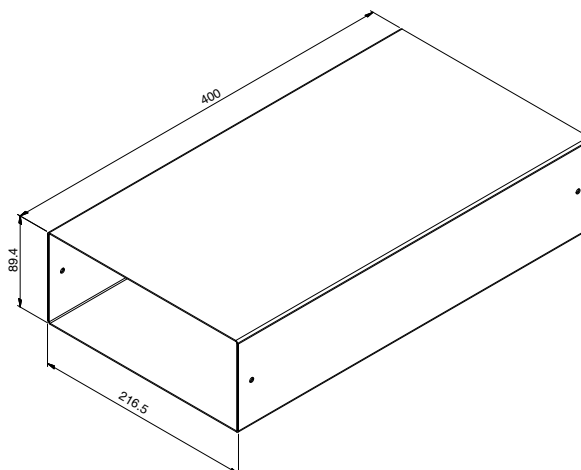
### TA366 - Transition 204x128 to 220x90

Weight - 1.4kg



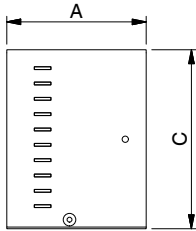
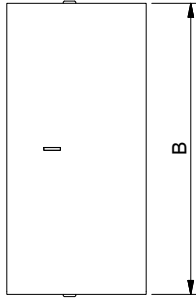
### TA384 - Metal Sleeve 220x90x400

Weight - 2.5kg



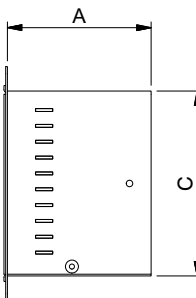
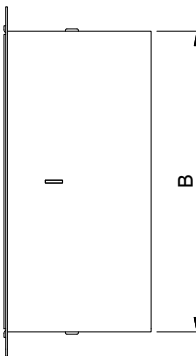
# Drawings & Dimensions

## TA364, TA372, TA374 - Titon FireSafe® Double Air Brick



Product Size	Part Number	A	B	C	Weight (Kg)
204x128x100	<b>TA364</b>	100	209	129	2.2
204x128x400	<b>TA372</b>	400	209	129	4.8
204x128x500	<b>TA374</b>	500	209	129	5.7

## TA365, TA373, TA375 - Titon FireSafe® Double Air Brick Bezel



Product Size	Part Number	A	B	C	Weight (Kg)
204x128x100	<b>TA365</b>	100	209	129	2.4
204x128x400	<b>TA373</b>	400	209	129	5
204x128x500	<b>TA375</b>	500	209	129	5.8

## Bezel - 204x128

