



SIDE HUNG WINDOWS



C14.12 WINDOW STAYS

01.11.2019



WINDOW STAYS

CONTENTS

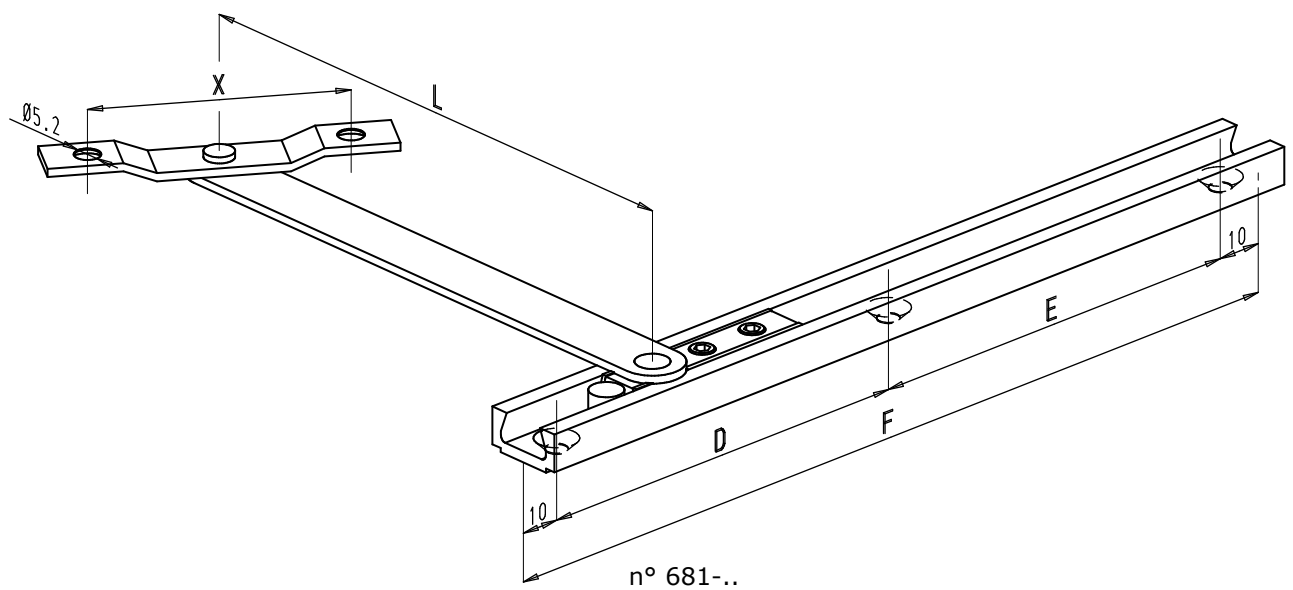
1. Window stays series 681-.. and n° 684-12	C14.12.03
1.1. General characteristics	C14.12.03
1.2. Window stay with buffer n° 684-12	C14.12.04
1.3. Versions and critical dimensions	C14.12.04
2. Detachable window stays series 682-.. and n° 685-12	C14.12.05
2.1. General characteristics	C14.12.05
2.2. Window stay with buffer n° 685-12	C14.12.06
2.3. Versions and critical dimensions	C14.12.06
3. Chrono window stays	C14.12.07
3.1. N° 35140-901, -902 and -903	C14.12.07
3.2. N° 32117-901 and 32137-901	C14.12.08
3.3. N° 35140-907 (balcony windows)	C14.12.09
4. Window stays n° SR6 and SR8	C14.12.10
5. Installation instructions	C14.12.11
6. Application examples	C14.12.12



1. Window stays series 681-.. and n° 684-12

1.1. General characteristics

- The window stays have an incorporated adjustable friction which holds the window open in any position.
- All window stays are suitable for side hung open in and open out windows.
- Finish:
 - arm and rivets in stainless steel;
 - frame fixing plate in aluminium or stainless steel;
 - vent track in natural anodised aluminium;
 - friction pad in plastic;
 - friction adjusting plate in zinc alloy.

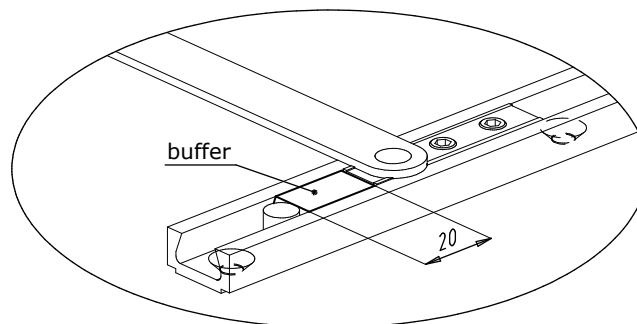
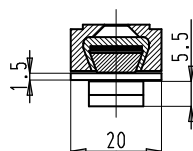
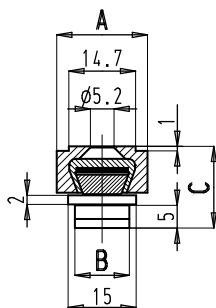




WINDOW STAYS

1.2. Window stay with buffer n° 684-12

- Window stay similar to n° 681-12 but with:
 - buffer in synthetic material
 - friction adjusting plate in aluminium
- The window stay is used for side hung windows of which the end stop must be damped. This can be important in case of:
 - big vent weights
 - high wind pressure
 - public buildings, schools, ...

**1.3. Versions and critical dimensions**

n° 681-12E
n° 681-33

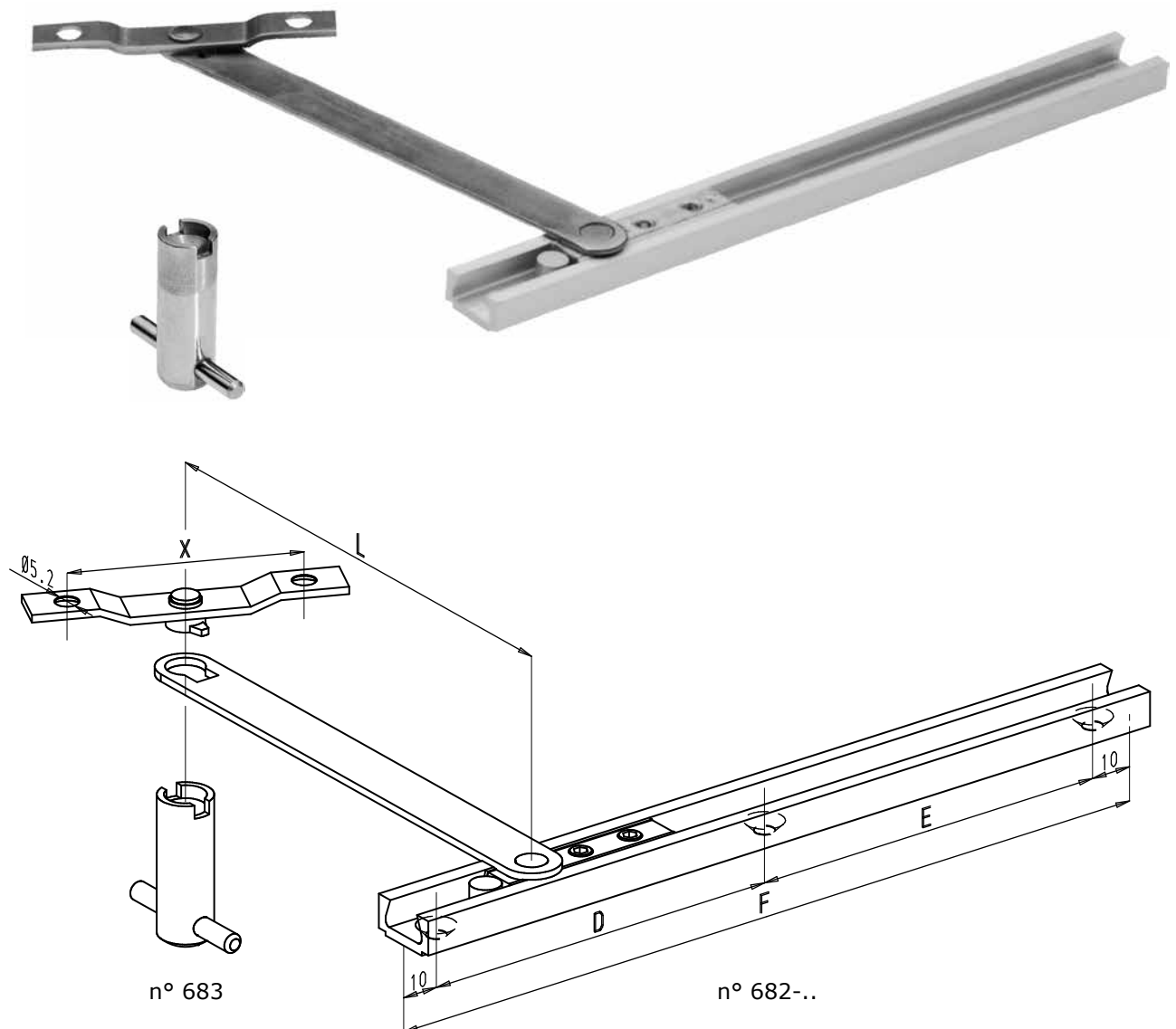
Order code	A	B	C	L	X	D	E	F	Order code with buffer
681	20	20	20	140	59	100	100	220	-
681A	20	12	18	190	59	125	0	145	-
681B	20	12	18	250	59	100	100	220	-
681 BIS	17.5	17.5	21.5	140	59	100	100	220	-
681C	20	20	16	140	58	100	100	220	-
681C-190	20	20	16	190	58	100	100	220	-
681C-250	20	20	16	250	58	100	100	220	-
681-12	20	12	18	140	59	100	100	220	684-12
681-12-300	20	12	18	300	59	100	100	220	-
681-12B	20	12	21.5	140	56.5	100	100	220	-
681-12C	20	12	15	140	59	100	100	220	-
681-12C-250	20	12	15	250	59	100	100	220	-
681-12E	20	12	18	140	59	100	100	220	-
681-18,5	20	12	19.5	140	58	100	100	220	-
681-18,5-250	20	12	19.5	250	58	100	100	220	-
681-18,5-500	20	12	20.5	500	58	100	100	220	-
681-19,5	20	20	19.5	140	59	100	100	220	-
681-22	20	20	21.5	140	56.5	100	100	220	-
681-23	20	12	21.5	140	56.5	100	100	220	-
681-31	20	12	18	65.5	59	125	0	145	-
681-32	20	12	15	250	59	150	100	270	-
681-33	20	12	18	55	59	125	0	145	-



2. Detachable window stays series 682-.. and n° 685-12

2.1. General characteristics

- The window stays series 682-.. have a detachable arm. By turning the rivet on the frame part with key n° 683, the arm can be released to open the window completely.
- The window stays have an incorporated adjustable friction which holds the window open in any position.
- All window stays are suitable for side hung open in and open out windows.
- Finish:
 - arm and rivets in stainless steel;
 - frame fixing plate in aluminium or stainless steel;
 - vent track in natural anodised aluminium;
 - friction pad in plastic;
 - friction adjusting plate in zinc alloy;
 - key n° 683 in stainless steel.

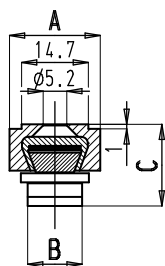




WINDOW STAYS

2.2. Window stay with buffer n° 685-12

- Similar to window stay n° 684-12, but detachable. See page C14.12.06.

2.3. Versions and critical dimensions

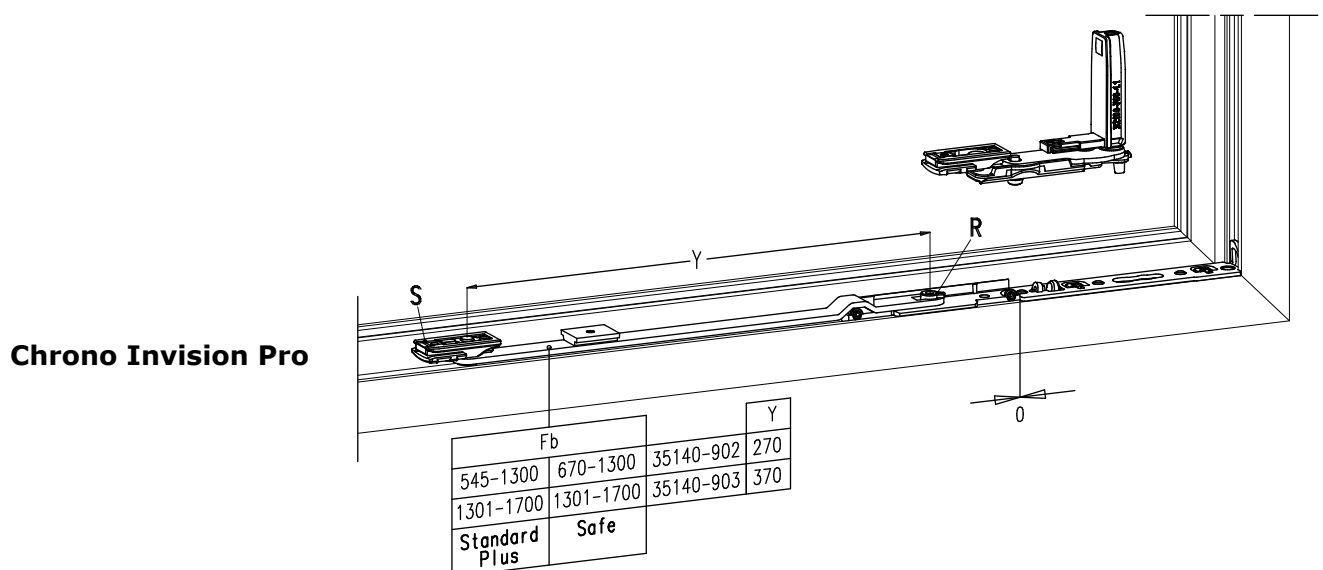
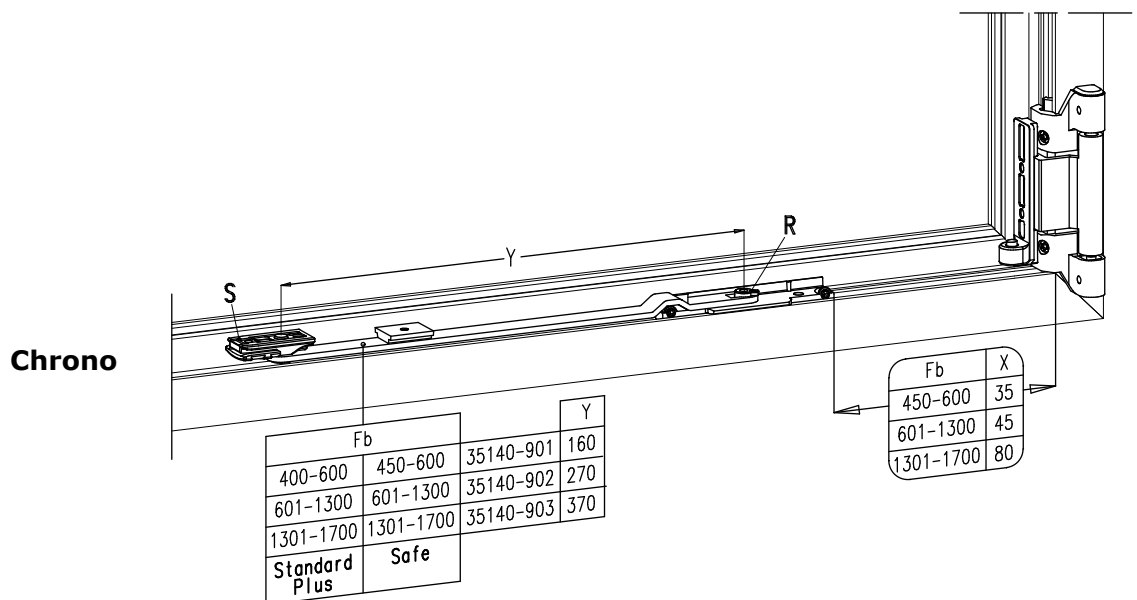
Order code	A	B	C	L	X	D	E	F	Order code with buffer
682	20	20	20	140	59	100	100	220	-
682A	20	12	18	190	59	125	0	145	-
682B	20	12	18	250	59	100	100	220	-
682 BIS	17.5	17.5	21.5	140	59	100	100	220	-
682C	20	20	16	140	58	100	100	220	-
682C-190	20	20	16	190	58	100	100	220	-
682C-250	20	20	16	250	58	100	100	220	-
682-12	20	12	18	140	59	100	100	220	685-12
682-12-300	20	12	18	300	59	100	100	220	-
682-12B	20	12	21.5	140	56.5	100	100	220	-
682-12C	20	12	15	140	59	100	100	220	-
682-12C-250	20	12	15	250	59	100	100	220	-
682-12F	20	12	21	140	56.5	125	0	145	-
682-18,5	20	12	19.5	140	58	100	100	220	-
682-18,5-250	20	12	19.5	250	58	100	100	220	-
682-18,5-500	20	12	20.5	500	58	100	100	220	-
682-19,5	20	20	19.5	140	59	100	100	220	-
682-22	20	20	21.5	140	56.5	100	100	220	-



3. Chrono window stays

3.1. N° 35140-901, -902 and -903

- In combination with visible Chrono hinges and Chrono Invision Pro hinges.
- Restricts the opening angle of the window in turn position.
- Required in public buildings in case of Chrono Invision Pro hinges.
- With Chrono visible hinges, the window stay is optional and is only used as limitation of the opening angle, never as stop.
- Should be used for safety purposes or where the opening arc may be obstructed.
- The position of the stay will dictate the opening angle of the window.
- The window stay is detachable by turning rivet R with a 4 mm hexagon key.
- Provided with an incorporated adjustable friction by tightening the screw S, which can hold the vent in any turn position.





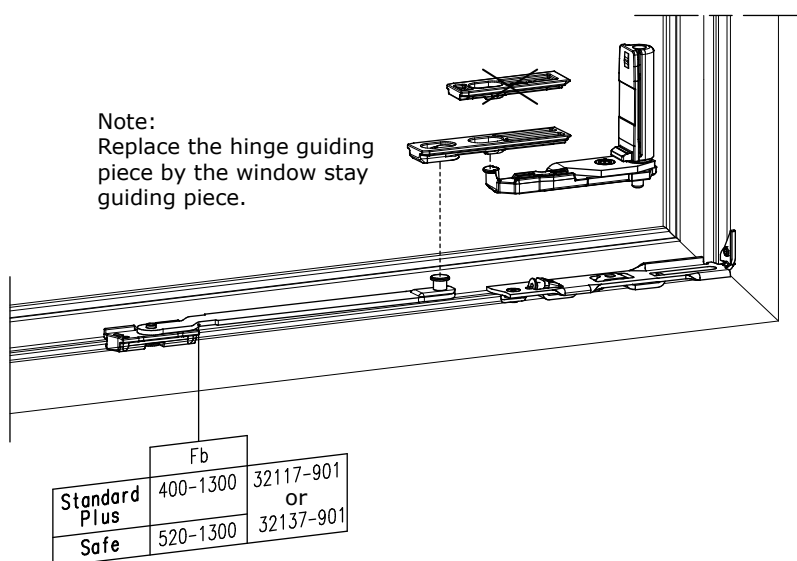
WINDOW STAYS

3.2. N° 32117-901 and 32137-901

- In combination with Chrono Invision Go hinges.
 - N° 32117-901: frame groove 14/18 mm
 - N° 32137-901: frame groove 10/14 mm
- Restricts the opening angle of the window at 90° in turn position.
- Required in public buildings and for windows wider than 1200 mm.
- Should be used for safety purposes or where the opening arc may be obstructed.
- Fixing screws and profile preparations are not required.
- The window stay is easy to mount by a click system:
hook in the arm and click it in vent guiding piece.

Chrono Invision Go

Note:
Replace the hinge guiding
piece by the window stay
guiding piece.

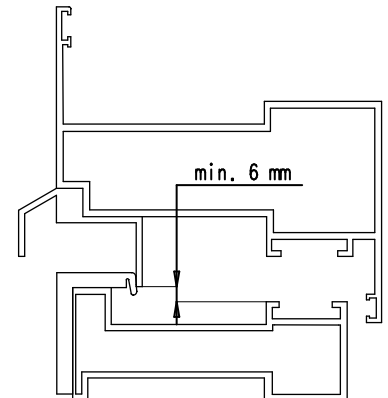




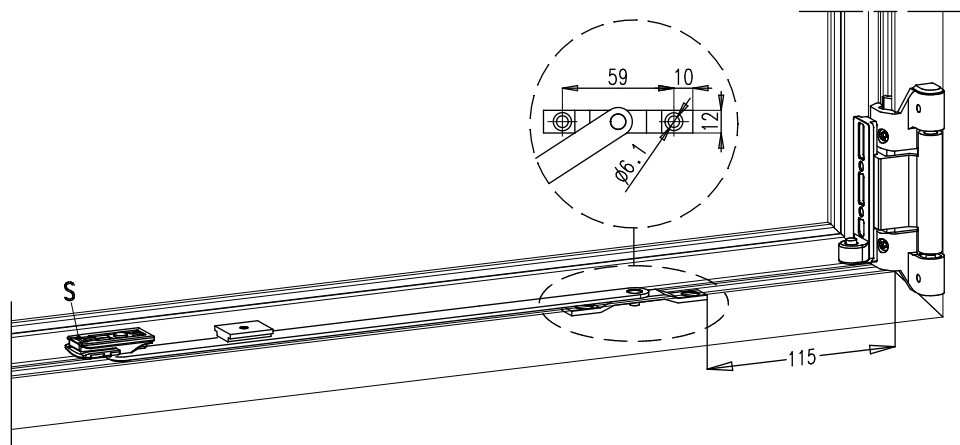
3.3. N° 35140-907 (balcony windows)

General

- Restricts the opening angle of the window at 90° in turn position.
- Should be used for safety purposes or where the opening arc may be obstructed.
- The position of the stay will dictate the opening angle of the window.
- Provided with an incorporated adjustable friction by tightening the screw S.
- Vent width $F_b = 670-1400$ mm.
- **Frame groove 10/14 mm:**
Partly mill the groove to mount the frame part.

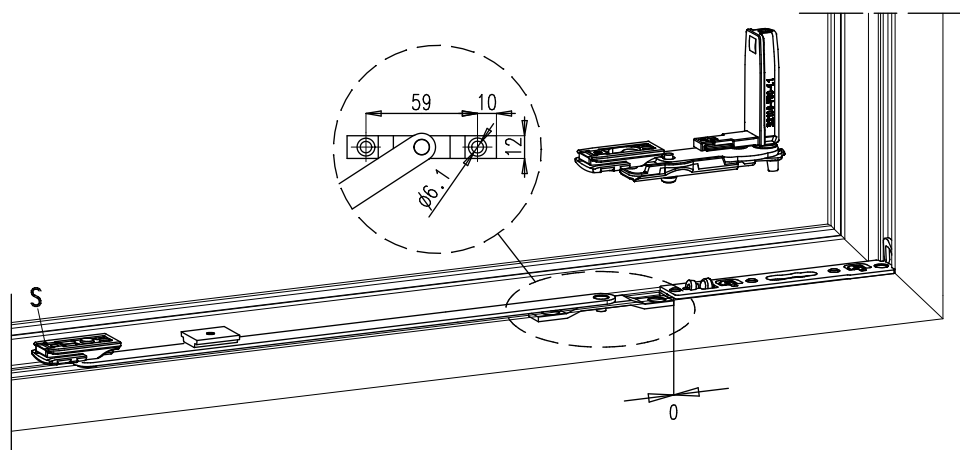


With visible hinges



With concealed hinges Invision Pro

- In specific cases, the concealed hinges Invision Pro can also be used. The condition for this is that the combination of the aluminium sill profile, the stop profile and the specific corner pieces for the central seal must be suitable for this.
- This information must be obtained from the profile system supplier.**





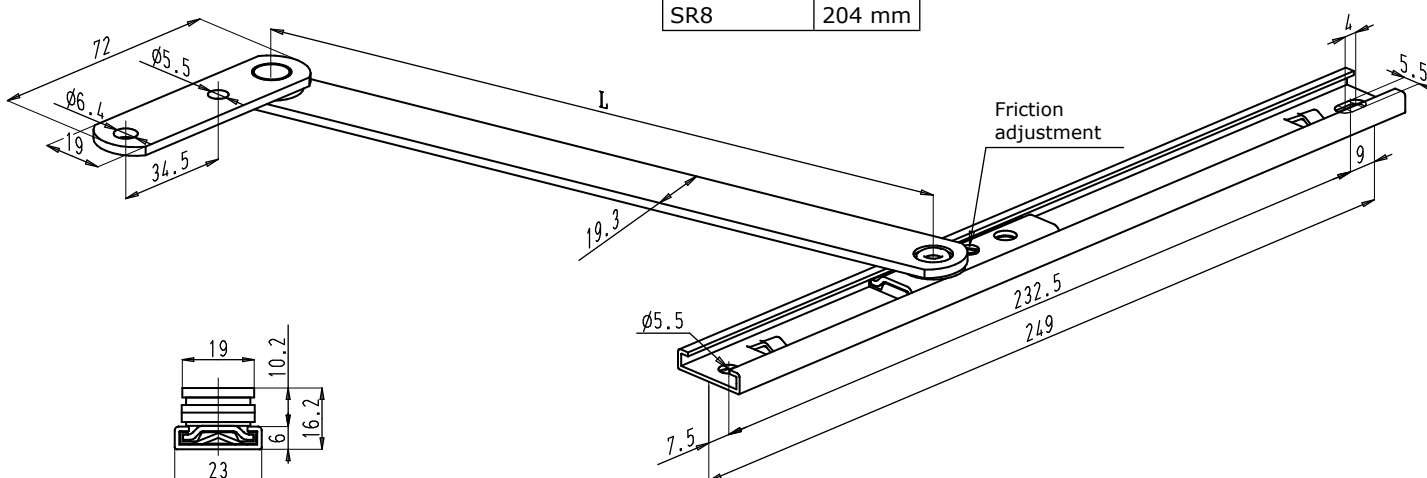
WINDOW STAYS

4. Window stays n° SR6 and SR8

- The window stays have an incorporated adjustable friction which holds the window open in normal weather conditions. They are suitable for side hung open in and open out windows.
- The window stays can also be used for project-out windows in combination with friction hinges.
- Finish: stainless steel, friction pad in plastic.



Order code	L
SR6	146 mm
SR8	204 mm

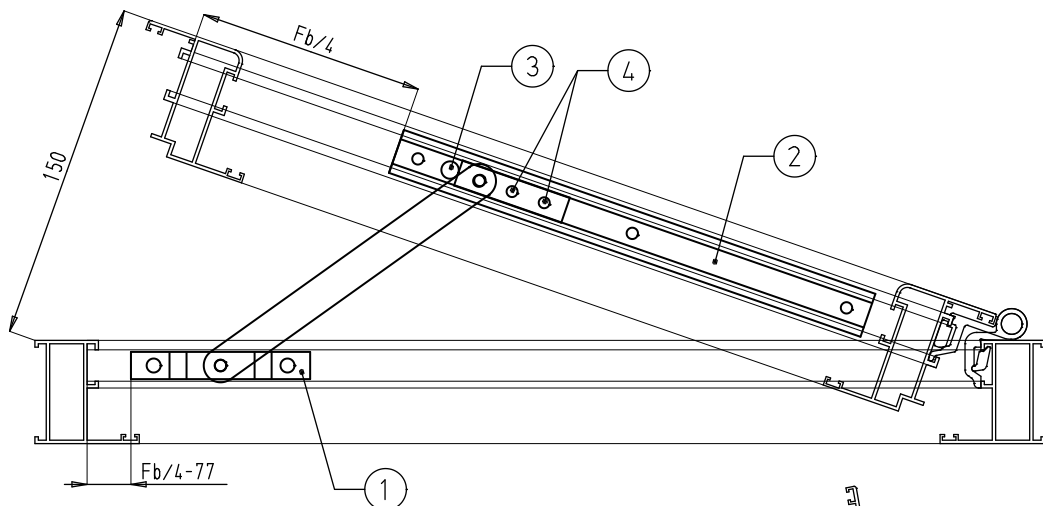




5. Installation instructions

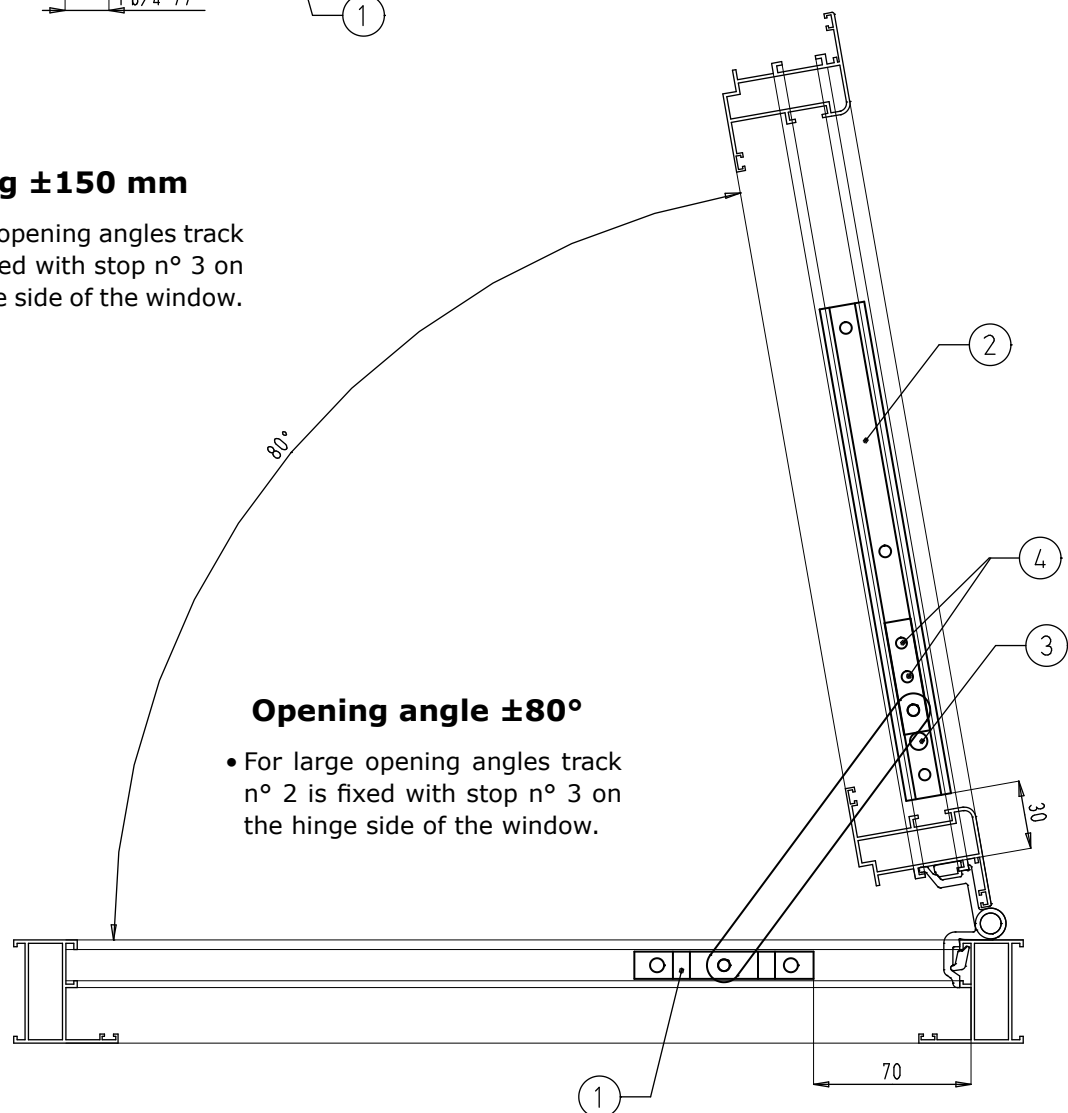
General

- Always fix the fixing plate n° 1 to the frame and the track n° 2 to the vent.
- Adjust the friction to suit the window dimensions and weight by 2 screws n° 4.



Opening ± 150 mm

- For small opening angles track n° 2 is fixed with stop n° 3 on the handle side of the window.



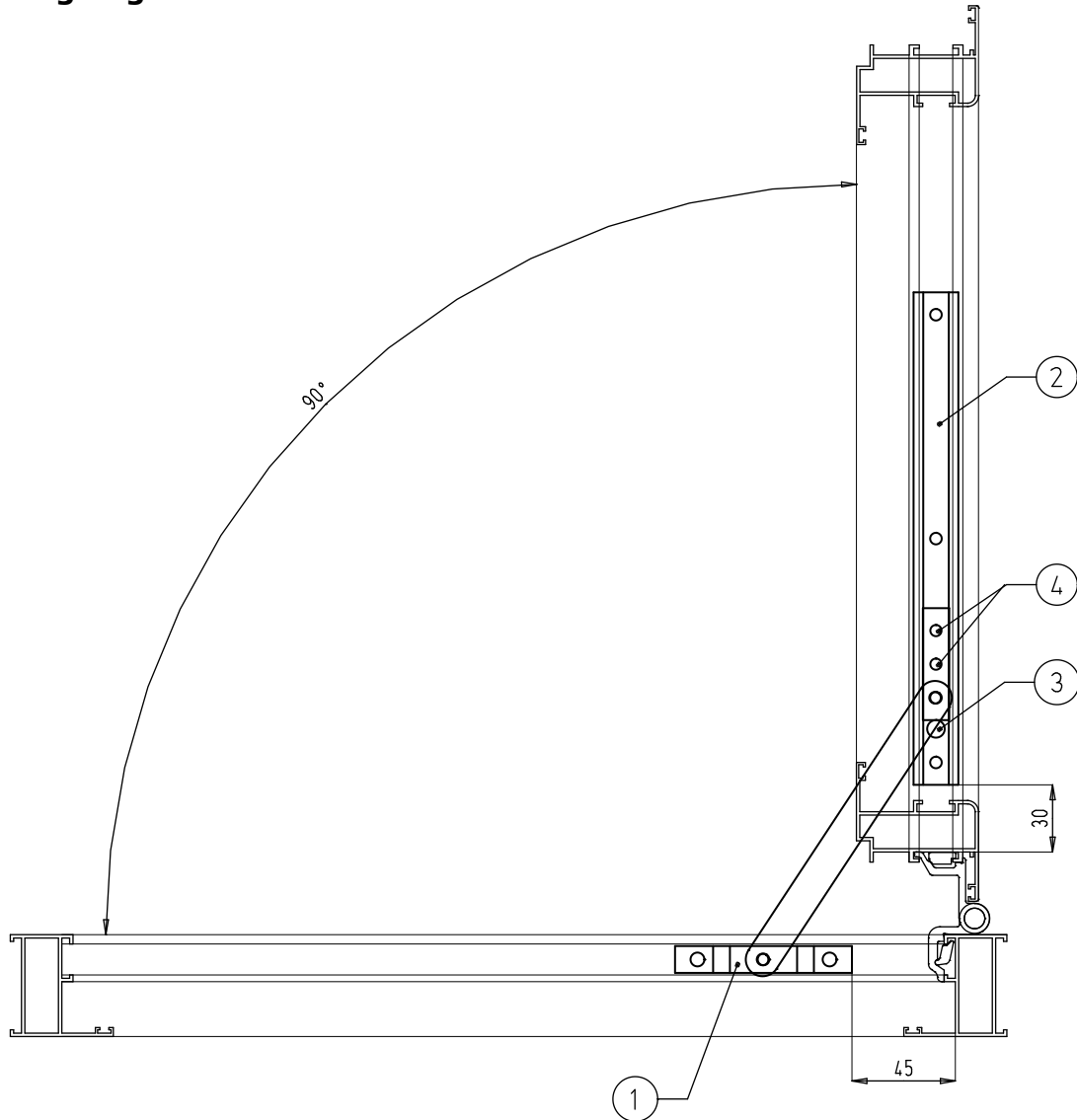
Opening angle $\pm 80^\circ$

- For large opening angles track n° 2 is fixed with stop n° 3 on the hinge side of the window.

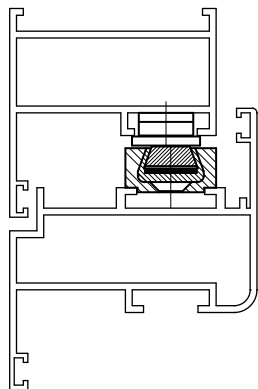


WINDOW STAYS

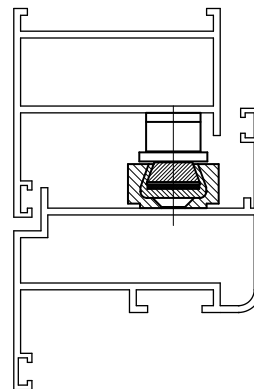
Opening angle $\pm 90^\circ$



6. Application examples



Window stay n° 681-12



Window stay n° 682-22