

# Ceiling Air Valve (Extract) - Fire Rated

## For use with Titon's HRV Q Plus and CME Q Plus Ranges

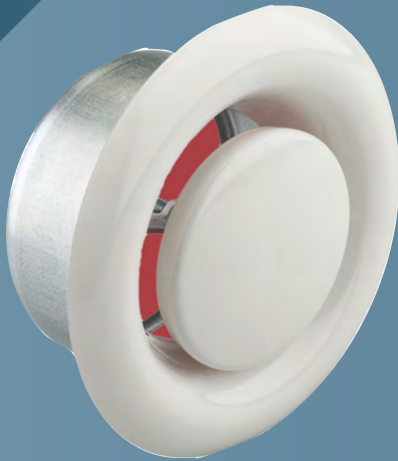
The fire rated air valve is manufactured from white epoxy coated powder coated steel. The valve has a male spigot to fit inside a ducting 100/125/150 system depending on selection.

The extract air valve is fully adjustable and has a locking nut to fix the position of the control disc upon commissioning. It is supplied complete with fixing body and pre-drilled holes for installation.

The Fire Rated air valve incorporates an integral intumescent material and has been fire tested to BS EN 1365-2:2014 with 60 minutes rating for ceilings.

The valve engages/disengages to the fixing body by a quarter turn clockwise/anticlockwise.

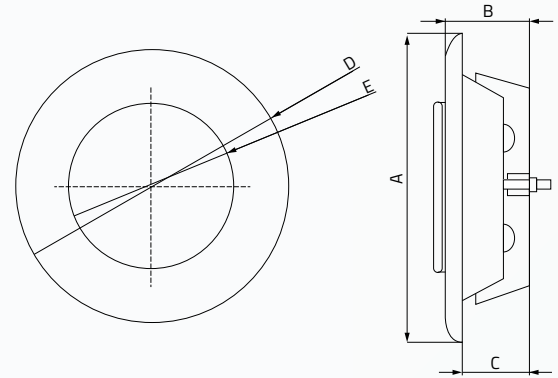
Fire Valve



## Product Specification

Ceiling Metal Vent Diffuser – Extract			
Part Number	8960228	8960231	8960274
Size	100mm	125mm	150mm
Colour	RAL9016	RAL9016	RAL9016
Operating Temperature			
Max	+60°C	+60°C	+60°C
Min	-15°C	-15°C	-15°C
Weight	272g	390g	510g

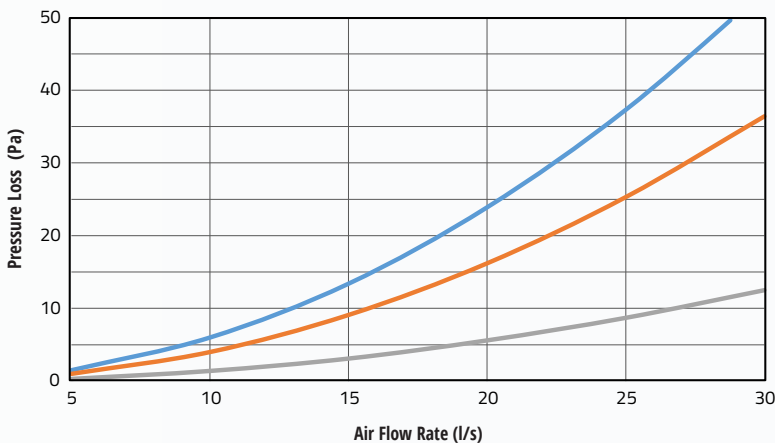
## Drawing and Dimensions



	100mm	125mm	150mm
ØA	138	163	201
B	40	44	51
C	32	36	38.5
ØD	138	163	202
ØE	74	98.3	119

Dimensions in mm

## Performance Details



— 100mm  
— 125mm  
— 150mm

Airflow l/s	100mm (Pa)	125mm (Pa)	150mm (Pa)
8	5	6	2
13	10	10	3
21	23	20	6
30	54	36	13
60	228	132	50
120	935	430	195

Pressure loss with control disc open to 10mm