



---

## BOTTOM HUNG OPEN IN WINDOWS

---



# E13.12 SIDE ARMS

01.11.2019



---

SIDE ARMS

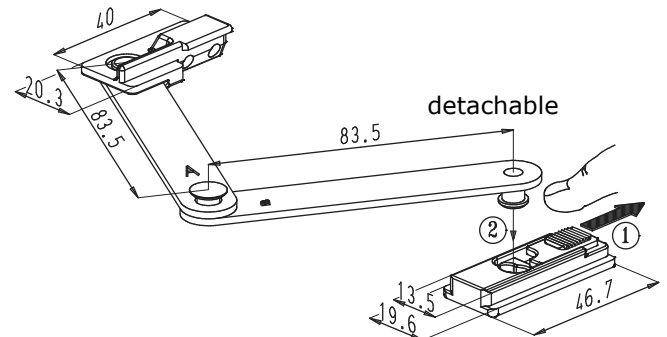
---

**CONTENTS**

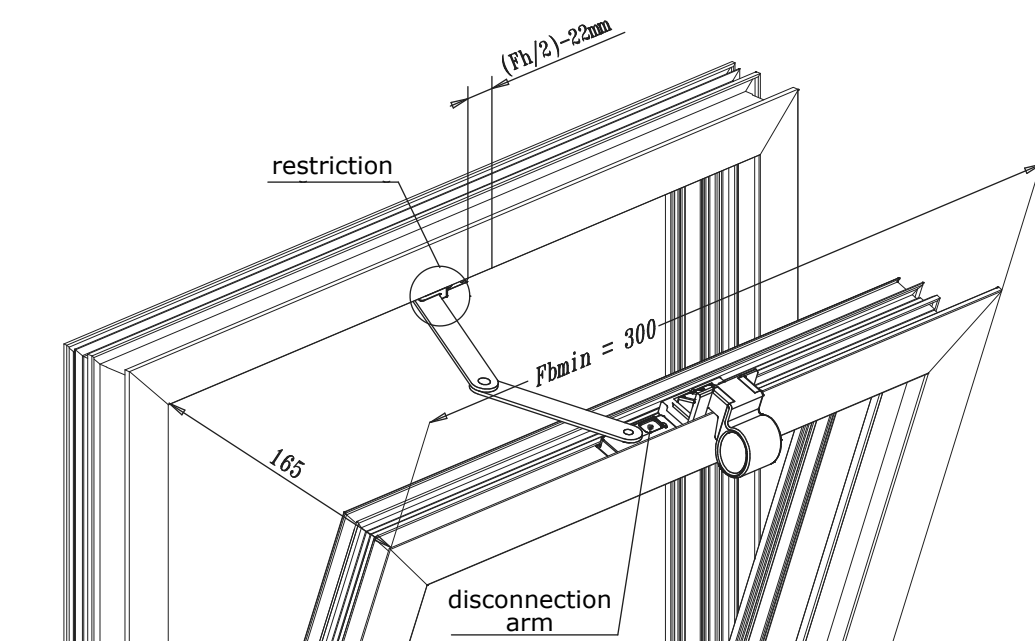
<b>1. Top arm n° 40140-550</b> .....	E13.12.03
<b>2. Chrono top arms n° 45140-...</b> .....	E13.12.04
2.1. Top arms n° 45140-552 and 45140-553	E13.12.04
2.2. Top arms n° 45140-550 and 45140-551	E13.12.04
2.3. Top arms n° 45140-554 and 45140-555	E13.12.05
<b>3. Side arms series 722 and 732</b> .....	E13.12.06
<b>4. Side arms series 718 and 719</b> .....	E13.12.07
<b>5. Side arms n° 710, 715 and 716</b> .....	E13.12.08
<b>6. Side arms series 717</b> .....	E13.12.09



## 1. Top arm n° 40140-550

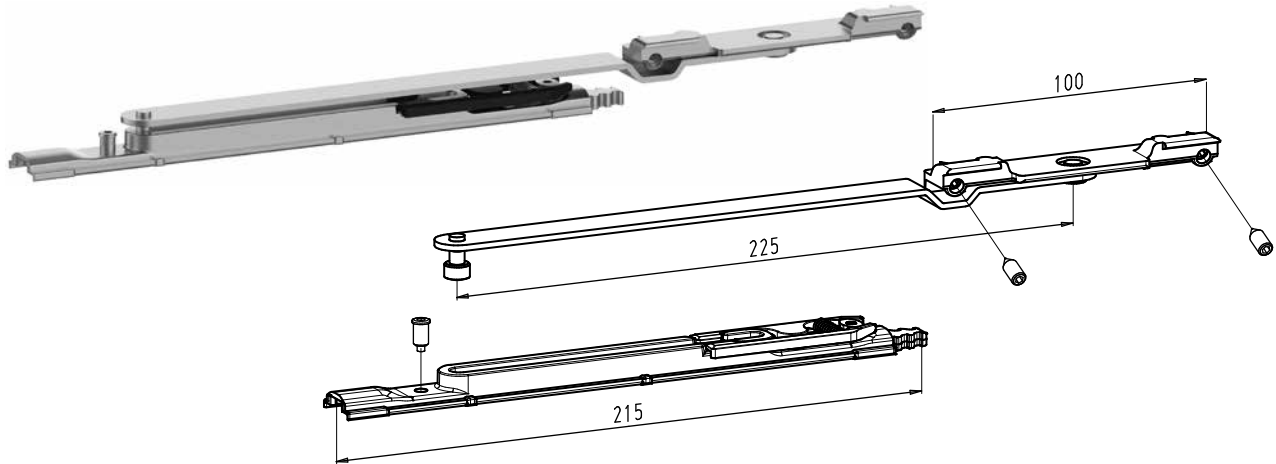


- The window stay should be mounted at the top of the window.
- Very quick installation of the window stay by clamping in the euro-groove: vent groove 15/20 mm and frame groove of 10 to 14 mm.
- This window stay in combination with the appropriate spring catch n° 40100-650 offers the ideal solution for small tilt windows with easy operation.
- The window stay is detachable to open the vent completely. The arm of the window stay can be disconnected very easily by means of a spring loaded retaining button.
- Size range:
  - Vent width: 300-1000 mm
  - Maximum vent height: 1200 mm
  - Maximum vent weight: 50 kg
  - Vent opening: 165 mm
- Windows with vent width from 1000 mm to 1400 mm must be provided with 2 top arms.
- Finish: the window stay is entirely made of non-corroding materials.

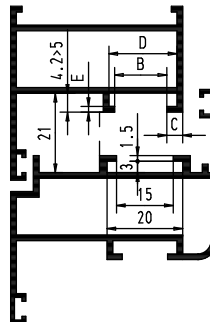




## SIDE ARMS

**2. Chrono top arms n° 45140-...****2.1. Top arms n° 45140-552 and 45140-553****Characteristics**

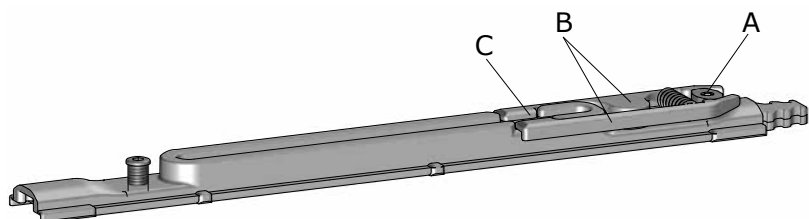
- The top arm can be mounted horizontally or vertically and is non-handed. You only require one horizontal top arm instead of two vertical side arms.
- The top arm n° 45140-553 has an incorporated spring to hold vent in tilt position. This spring ensures the tilted window does not slam shut due to sudden pressure changes caused by opening another window or door..
- Track and fixing plate are fixed by grub screws in stainless steel.
- Track and fixing plate in zinc alloy, arm and rivets in stainless steel.
- The top arm can be fitted on windows with vent width up to 1800 mm.
- Maximum vent weight: 90 kg.
- The top arm is suitable for sections with frame groove width from 10 to 14 mm: see table.



B	C	D	E
13,8	4,2	18	1,5
12,5	3,9	16,8	1,5
12,1	2,9	15,3	1,5
10	4,2	14,8	1,5
14,1	4,2	18,5	2,5
13,5	3,5	17,5	2,5

**Disconnection arm:**

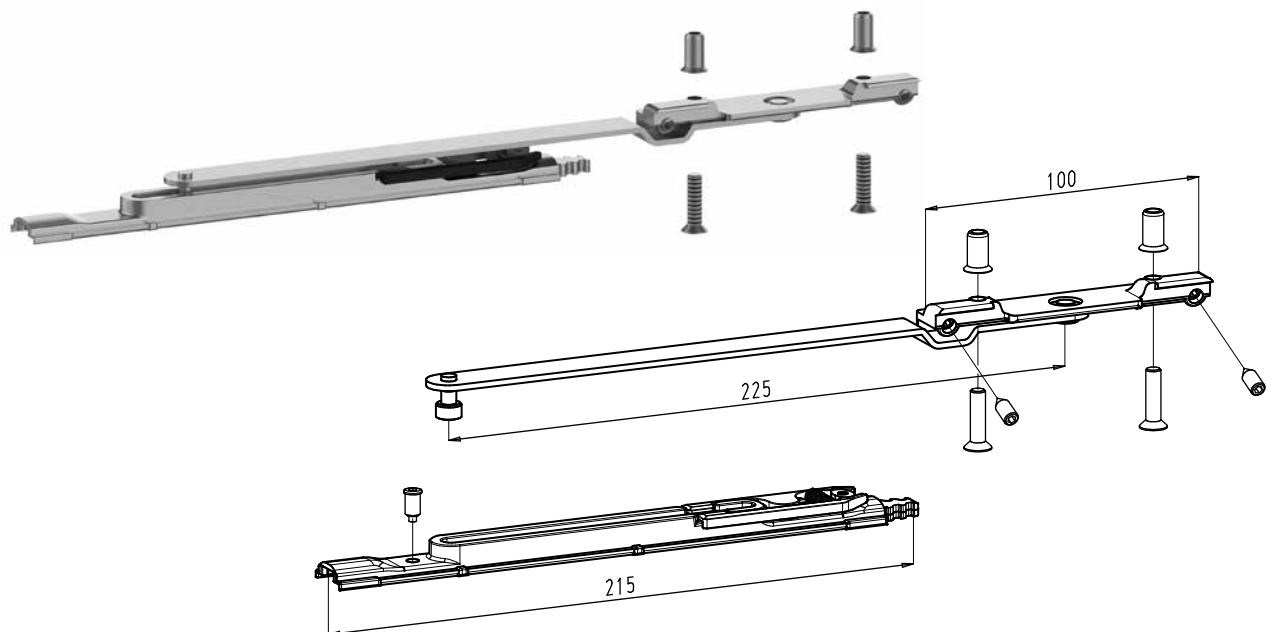
- Turn button A 90° with an allen key.
- Push the 2 levers B together.
- Detach the arm at position C.

**2.2. Top arms n° 45140-550 and 45140-551**

- The top arms n° 45140-550 and 45140-551 are exclusively used with the CHRONO tilt systems: see chapter E11.11.
- The top arm is operated by a horizontal or vertical mounted handle.
- The top arms have the same characteristics as the top arms n° 45140-552 and 45140-553.



### 2.3. Top arms n° 45140-554 and 45140-555



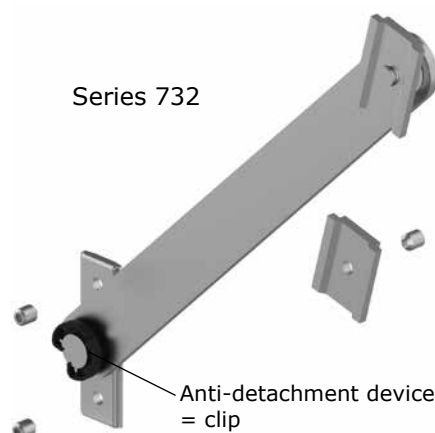
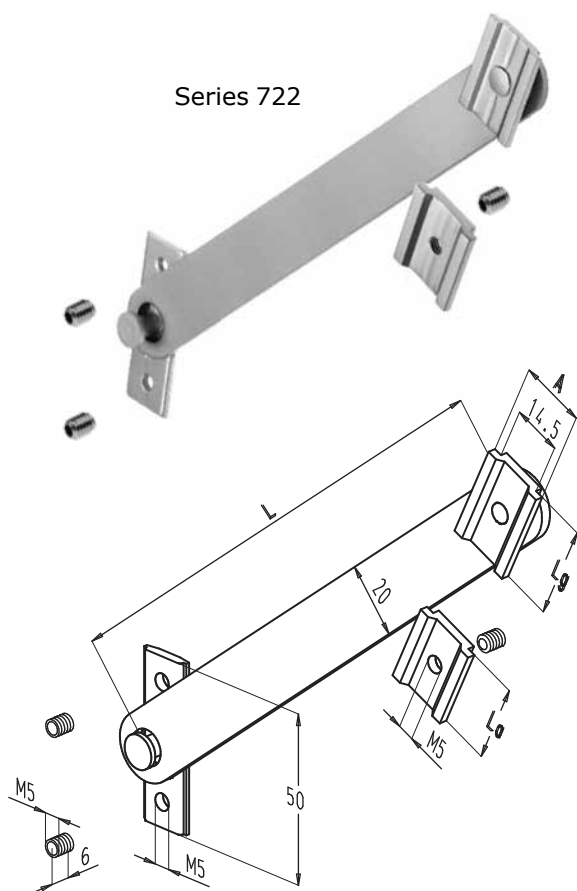
#### Characteristics

- The top arms have the same characteristics as the top arms n° 45140-552 and 45140-553.
- Track and fixing plate are fixed by grub screws in stainless steel.
- For a more solid fixing, the frame part is fixed with:
  - 2 screws M5x20 DIN965
  - 2 blind rivnuts M5 UFO40
- Top arm n° 45140-554: without anti slam shut device.  
Top arm n° 45140-555: with anti slam shut device.

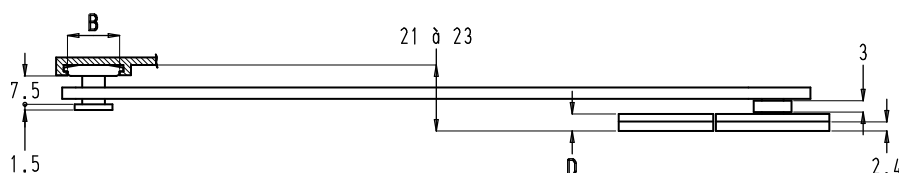


## SIDE ARMS

## 3. Side arms series 722 and 732



- Very quick installation of the side arms because they are fully clampable. The side arms are non-handed.
- The side arms are detachable to fully open the vent. The series 732 is provided with a clip which serves as an anti-detachment device.
- The 3 grub screws in stainless steel are included.
- Hookable fixing plate in zinc alloy, supplied in different sizes, depending on the frame groove width.



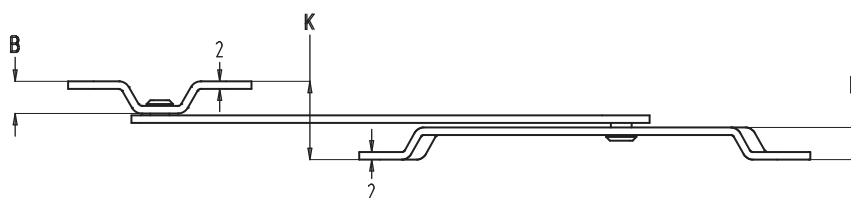
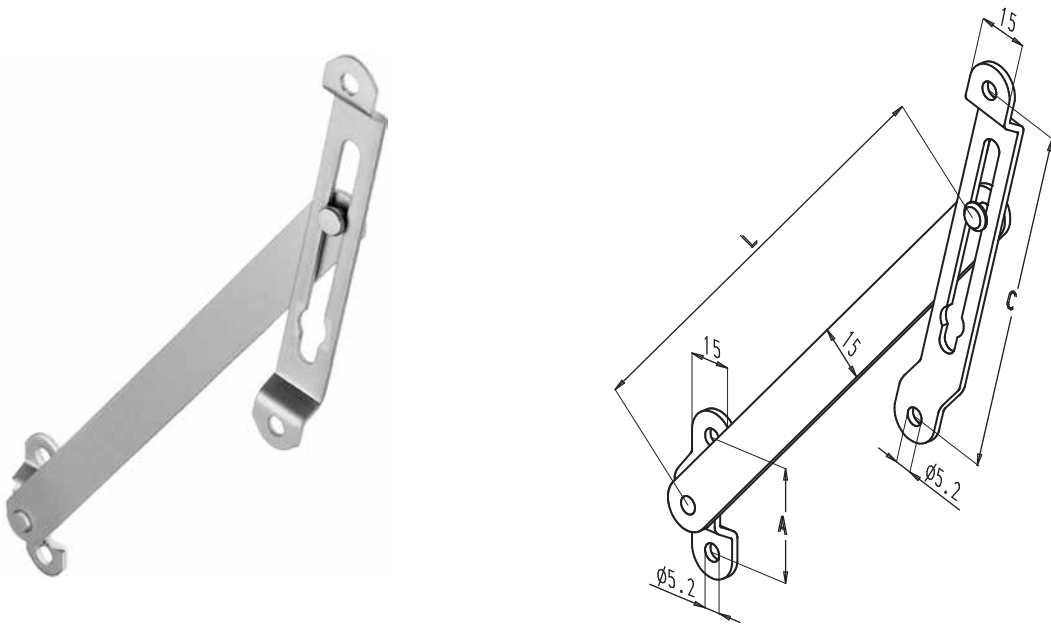
Series 722	Series 732	L	A	B	D	La	Lg
722-8-80	732-8-80	80	19,5	13,8	4,5	25	30
722-8-180	732-8-180	180	19,5	13,8	4,5	25	30
722-8-500	-	500	19,5	13,8	4,5	25	30
722-8C-180	-	180	19,5	13,8	4,5	25	30
722-9-80	-	80	22	17,6	3	22	22
722-9-180	-	180	22	17,6	3	22	22
722-10-80	-	80	19,5	12,4	4,5	25	30
722-10-180	-	180	19,5	12,4	4,5	25	30
722-11-80	-	80	19,5	15,4	4,5	25	30
722-11-180	-	180	19,5	15,4	4,5	25	30
722-11B-80	-	80	18	15,4	5	25	30
722-11B-180	-	180	18	15,4	5	25	30
722-12-80	-	80	19,5	11,9	4,5	25	30
722-12-180	-	180	19,5	11,9	4,5	25	30
722-13-80	732-13-80	80	19,5	9,9	4,5	25	30
722-13-180	732-13-180	180	19,5	9,9	4,5	25	30
722-19-80	-	80	25	20	3,5	25	30
722-19-180	-	180	25	20	3,5	25	30
722-19B-80	-	80	19,5	20	4,5	25	30
722-19B-180	-	180	19,5	20	4,5	25	30

- Arm, sliding piece and stop plate in aluminium natural anodised, rivets in stainless steel.
- Maximum vent weight: 40 kg with a maximum opening of 170 mm.
- Other dimensions on request.
- Notes:
  - Side arm n° 722-8C-180 is not detachable.
  - Side arms n° 722-9 and n° 722-19 have a flat sliding piece and stop plate.



### 4. Side arms series 718 and 719

- The side arms are detachable to fully open the vent.
- The side arms are non-handed.
- The side arms are made completely of stainless steel with narrow frame fixing plate and vent track, suitable particularly for PVC windows.
- Maximum vent weight: 80 kg with a maximum opening of 170 mm.



Order code	Chamber size K	L	A	B	C	D
718A	20 - 22	180	33.5	8.5	108	8.5
718B	14 - 16	180	35	5.5	110	5.5
718D	14 - 16	180	58	3	108	8.5
718E	27 - 29	180	33.5	15.5	108	8.5
718F	14 - 16	180	35	5.5	110	5.5
719A	20 - 22	80	33.5	8.5	108	8.5
719B	14 - 16	80	35	5.5	110	5.5
719D	14 - 16	80	58	3	108	8.5

Other sizes on request.

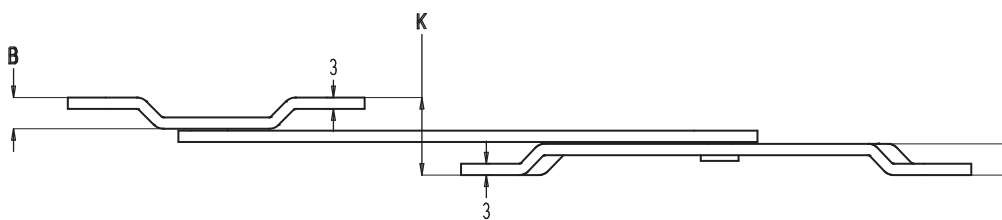
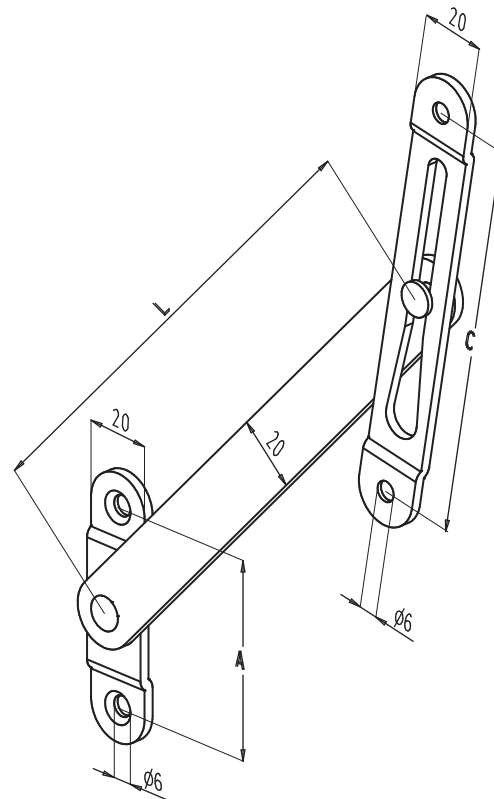
- Note: side arm n° 718F is not detachable.



SIDE ARMS

### 5. Side arms n° 710, 715 and 716

- The side arms are detachable to fully open the vent.
- The side arms are non-handed.
- Finish: aluminium natural anodised.
- Rivets in stainless steel.
- Maximum vent weight: 60 kg with a maximum opening of 170 mm.



Order code	Chamber size K	L	A	B	C	D
710-80	12.5	80	58.5	4.5	119	4.5
710-180	12.5	180	58.5	4.5	119	4.5
715	20	180	56.5	8.25	117	8.2
716	20	80	56.5	8.25	117	8.2

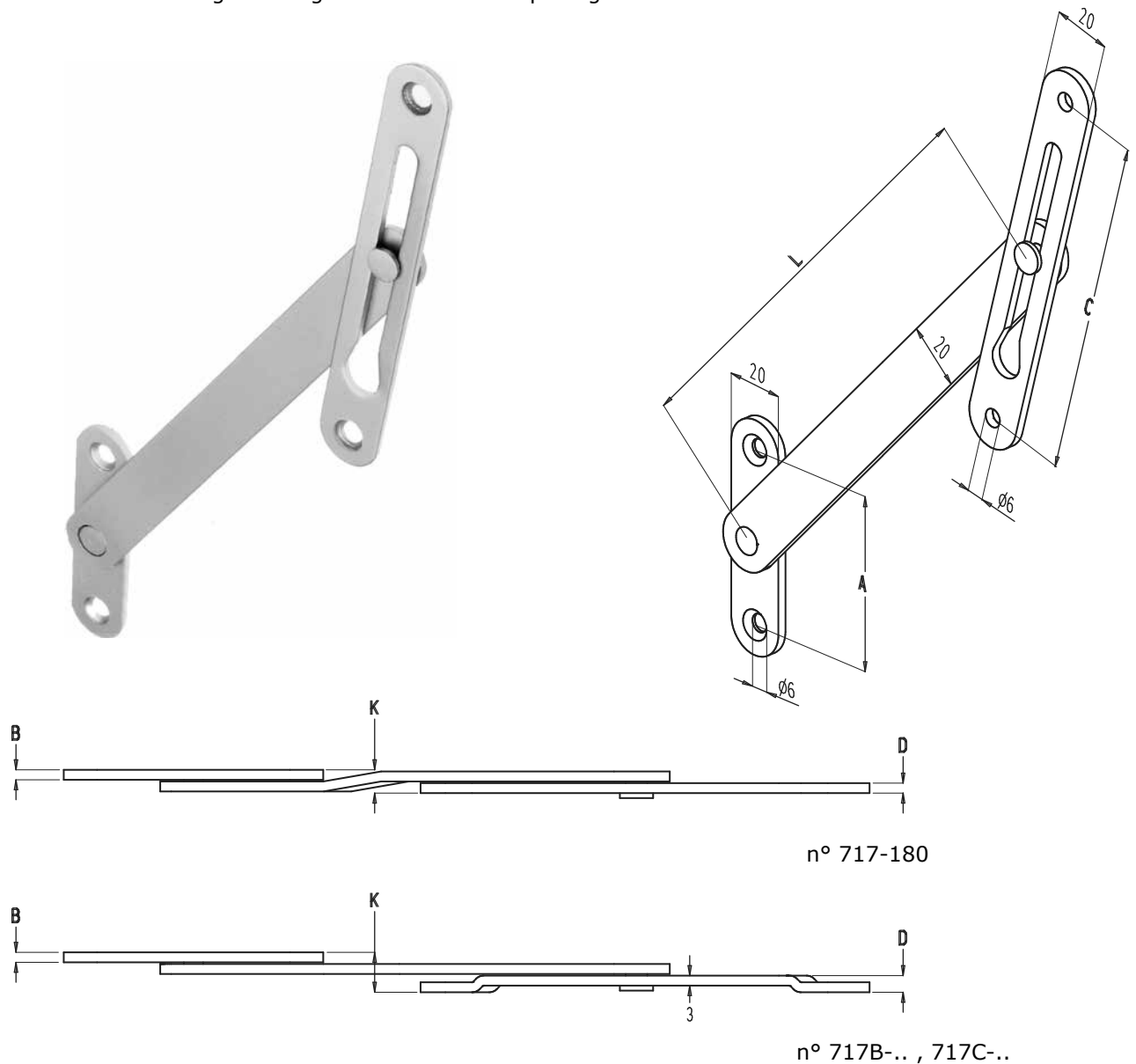
Other dimensions on request.





## 6. Side arms series 717

- Side arms with small chamber size. The side arm n° 717-180 is provided with a cranked arm, so that the side arm can be used for sections with a chamber size of 7 mm.
- The side arms are non-handed.
- The side arms are detachable to fully open the vent.
- Finish: aluminium natural anodised.
- Rivets in stainless steel.
- Maximum vent weight: 60 kg with a maximum opening of 170 mm.



Order code	Chamber size K	L	A	B	C	D
717-180	7	180	58	3	119	3
717B-80	10	80	58	3	119	3
717B-180	10	180	58	3	119	3
717C-80	12	80	58	3	119	4.5
717C-180	12	180	58	3	119	4.5

Other dimensions on request.

