



PROJECT-OUT WINDOWS AND TOP HUNG WINDOWS



F12.11 SWING OPENERS

01.11.2019



SWING OPENERS

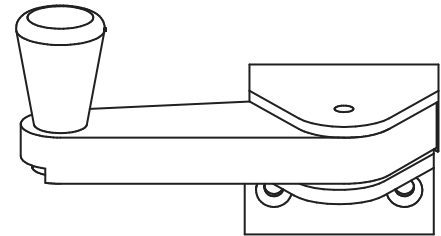
CONTENTS

1. Swing openers n° 740-.. and n° 741-.....F12.11.03

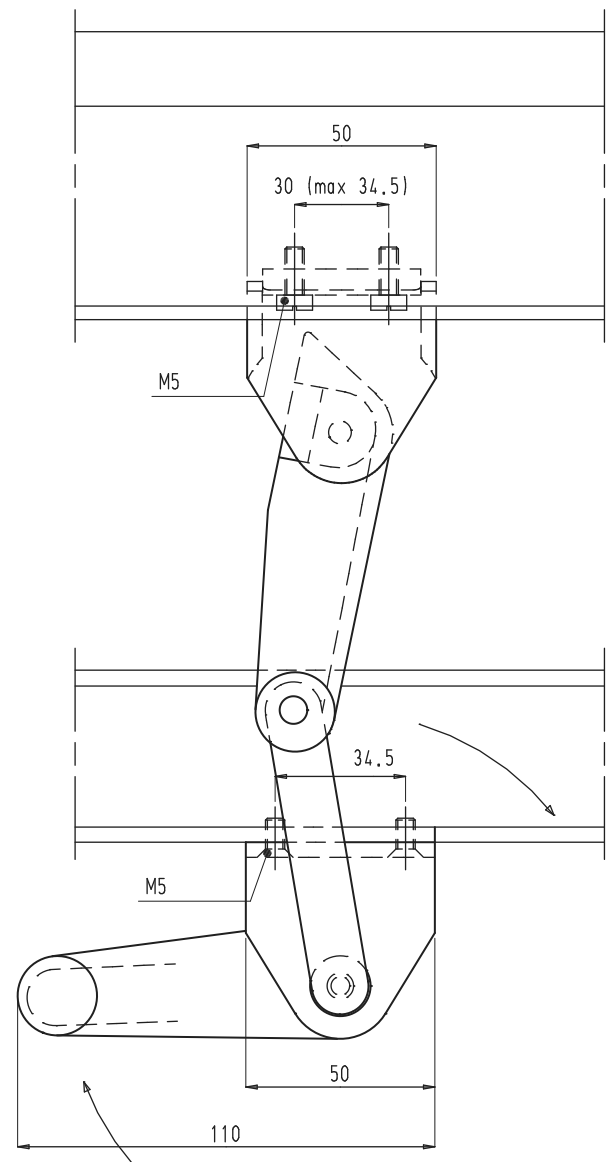
2. Application examples.....F12.11.04



1. Swing openers n° 740-.. and n° 741-..



- Both unlocking and opening of the window, as well as closing and locking of the window afterwards occurs by one single horizontal swinging movement.
- In locked position the swing opener is close to the window, so that it is not in the way of curtains or sun-blinds.
- The locking pressure of the window is adjustable by turning the screw R (see next page) in or out until the optimum tightening is reached.
- The swing opener n° 741 is detachable so that the window can be opened further. Release by simply unclipping the hinged part of the arm connected to the vent. See drawing next page.
- Both swing openers are available in a large variety of dimensions, so that they fit most sections, both aluminium and PVC.
- Finish:
 - Aluminium anodised or polyester powder coated in more than 450 RAL colours.
 - Concealed arm and other parts in stainless steel.
 - Turn knob in black plastic.

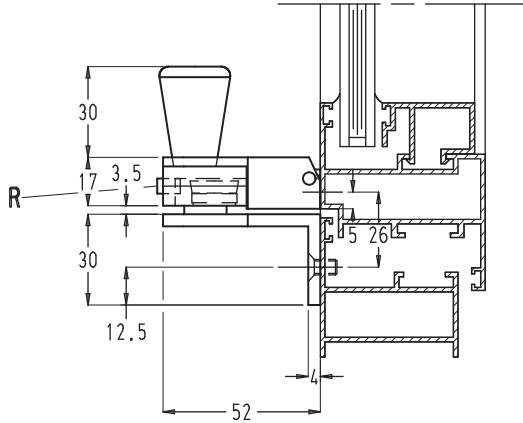




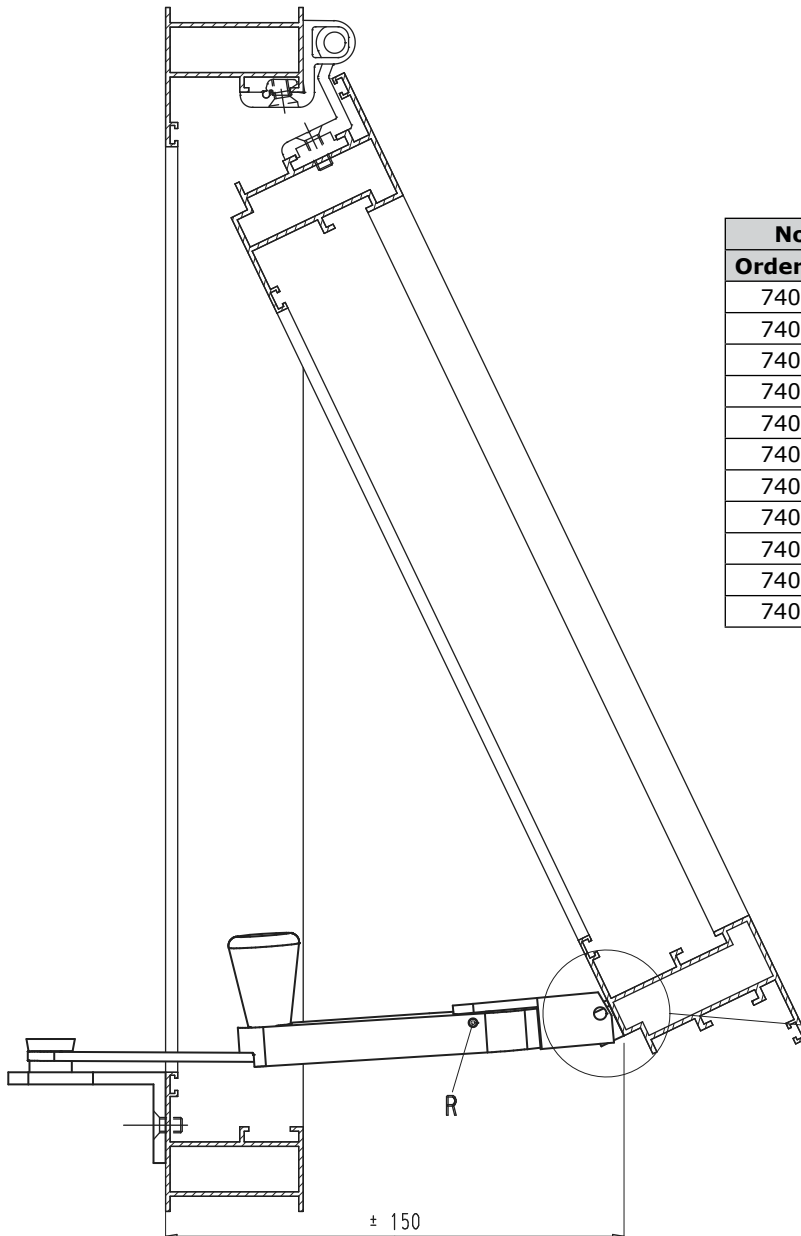
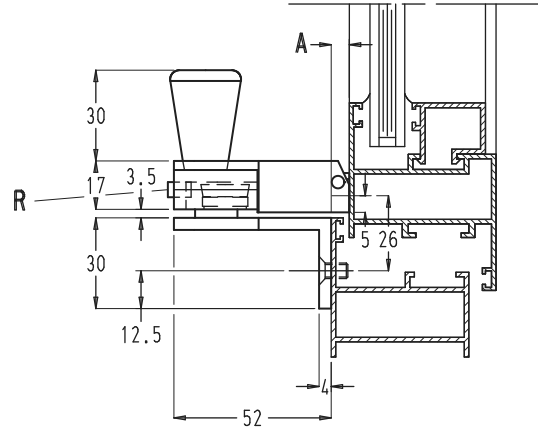
SWING OPENERS

2. Application examples

Swing opener n° 740 and 741 for one-level sections



Swing opener n° 740-.. and 741-.. for bi-level sections



Not detachable	
Order code	A = mm
740	0
740-2.5	2.5
740-3	3
740-4	4
740-5	5
740-6	6
740-8	8
740-15	15
740-16	16
740-18	18
740-24	24

Detachable	
Order code	A = mm
741	0
741-2.5	2.5
741-3	3
741-4	4
741-5	5
741-6	6
741-8	8
741-15	15
741-16	16
741-18	18
741-24	24

Detachable swing openers n° 741-..

