



---

**PROJECT-OUT WINDOWS  
AND TOP HUNG WINDOWS**

---



**F12.12**  
**HINGE N° 26140-756**

01.12.2018



## CONTENTS

<b>1. Hinge.....</b>	<b>F12.12.03</b>
1.1. General information	F12.12.03
1.2. Composition	F12.12.03



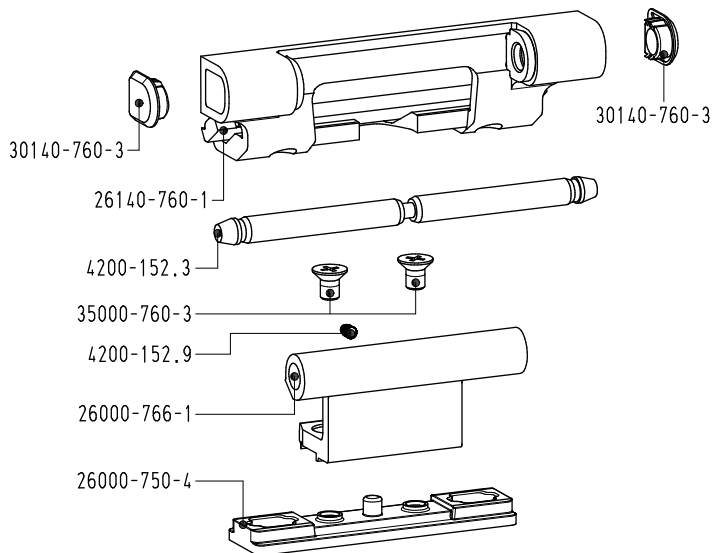
## 1. Hinge

### 1.1. General information



- Three-part window hinge for top hung open out windows and suitable to mount on the outside.
- The hinge is secured by means of a security pin to prevent removal of the hinge pin.
- Finish: aluminium anodised or polyester powder coated in more than 450 RAL colours.
- Vent dimensions:
  - Maximum vent weight: 75 kg
  - Vent width max. 1200 mm: 2 hinges
  - Vent width 1200-1800 mm: 3 hinges
  - Vent width 1800-2400 mm: 4 hinges

### 1.2. Composition



Hinge n° 26140-756		
1	4200-152.3	hinge pin
1	4200-152.9	security pin
1	26000-750-4	clamping plate
1	26000-766-1	vent part
1	26140-760-1	frame part
2	30140-760-3	cap
2	35000-760-3	screw for vent part

