



## HORIZONTAL AND VERTICAL PIVOT WINDOWS



# H11.12 LUNA PIVOTS SERIES 2600

01.07.2017



---

LUNA PIVOTS SERIES 2600

---

**CONTENTS**

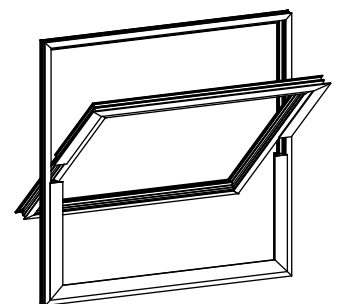
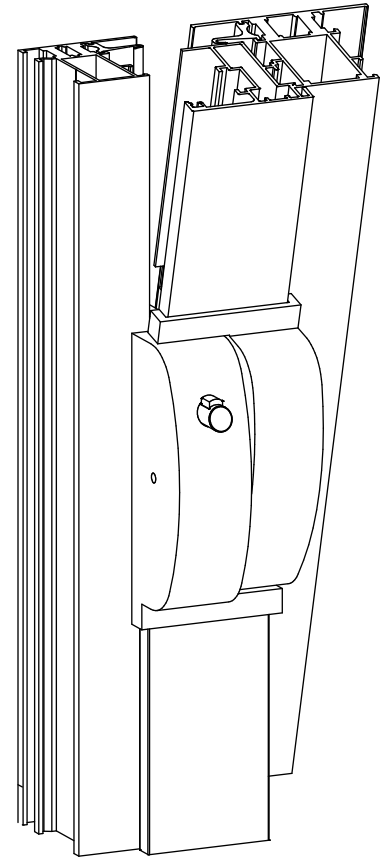
<b>1. Characteristics and advantages</b> .....	H11.12.03
1.1. General information	H11.12.03
1.2. Declaration of performance	H11.12.04
1.3. Gaskets	H11.12.04
1.4. Adjustment of friction device	H11.12.05
1.5. Angular legs	H11.12.05
1.6. Restrictor (option)	H11.12.05
<b>2. Restrictor</b> .....	H11.12.06
2.1. Opening stop at 10° or 15°	H11.12.06
2.2. Reverse stop at 170°	H11.12.06
2.3. Restrictor n° BLOC A-..	H11.12.07
2.4. Restrictor n° BLOC C-..	H11.12.07
<b>3. Demountable pivot</b> .....	H11.12.08
<b>4. Non-demountable pivot</b> .....	H11.12.09
<b>5. Installation example</b> .....	H11.12.09



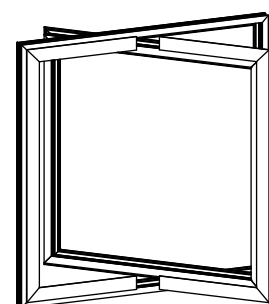
## 1. Characteristics and advantages

### 1.1. General information

- The shape of the Luna pivot is designed to blend into the window.
- The skirts on the inside of the Luna pivot cover the ends of the intermediate section, leaving a clean finish.
- The skirts in combination with the boxed angular legs with top and bottom seal assure that even if the intermediate section is cut too short (up to maximum 3 mm on both sides) wind and water tightness is maintained.
- The Luna pivot has an integral adjustable friction mechanism, preventing the window from closing, operating from 0° to 170°.
- Option: the Luna pivot is available with an integral automatic restrictor with restriction at 10° or 15° and reverse stop at 170°. The ventilation position at 10° or 15° can be obtained if the friction mechanism is correctly adjusted: see page H11.12.05
- Elongated fixing holes provide adjustment to ensure quick and easy installation.
- Each Luna pivot is cast to the exact shape of the section. Therefore the pivot fits perfectly, enabling quick assembly.
- Loose adapter and thickness plates are not used. The vent and frame halves of the pivot are both cast in one piece, in aluminium. The two halves of the pivot are connected together by the friction mechanism and its adjusting screw.
- The Luna pivot ensures a smooth and quiet operation because of the plastic bush eliminating metal to metal contact.
- The Luna pivots are demountable or non-demountable. The demountable Luna pivots are supplied with a frame plate which makes it easy to demount the vent, by unscrewing two screws in each pivot.
- For new pivots, please submit detailed die drawings (preferably on disc).
- Finish: special high endurance aluminium alloy coated natural colour or polyester powder coated in more than 450 RAL colours.
- The pivots can be used for both horizontal and vertical pivoting windows:
  - Horizontal: maximum vent weight 180 kg
  - Vertical: maximum vent weight 120 kg
 Note: these weights do not apply on the working of the friction device: see page H11.12.05.



horizontal pivoting window



vertical pivoting window



## LUNA PIVOTS SERIES 2600

## 1.2. Declaration of performance

- The pivots series 2600 are tested in accordance with the European standard EN 13126-9 : 2013 and obtained the following classification code:

### Horizontal pivoting window

Category of use	Durability	Mass	Fire resistance	Safety	Corrosion resistance	Security	Application part	Test sizes
-	5	90	0	1	3	-	9/1	1600x1400

### Vertical pivoting window

Category of use	Durability	Mass	Fire resistance	Safety	Corrosion resistance	Security	Application part	Test sizes
-	5	120	0	1	3	-	9/3	1400x1600

- The pivots series 2600 are tested in accordance with the European standard EN 13126-5/A1 : 2015 and obtained the following classification code:

### Restrictor A

Category of use	Durability	Mass	Fire resistance	Safety	Corrosion resistance	Security	Application part	Test sizes
-	5	25	0	2/3 (10°) 2/3 (15°)	3	-	5/4 (10°) 5/4 (15°)	1200x600
-	5	35	0	2/3 (10°) 2/3 (15°)	3	-	5/4 (10°) 5/4 (15°)	1200x900
-	5	45	0	2/3 (10°) 2/3 (15°)	3	-	5/4 (10°) 5/4 (15°)	1200x1200
-	5	65	0	2/3 (10°) 2/3 (15°)	3	-	5/4 (10°) 5/4 (15°)	1200x1800

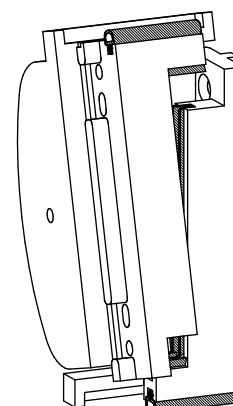
### Restrictor C

Category of use	Durability	Mass	Fire resistance	Safety	Corrosion resistance	Security	Application part	Test sizes
-	5	25	0	3/3 (10°) 3/3 (15°)	3	-	5/6 (10°) 5/6 (15°)	1200x600
-	5	35	0	3/3 (10°) 3/3 (15°)	3	-	5/6 (10°) 5/6 (15°)	1200x900
-	5	45	0	3/3 (10°) 2/3 (15°)	3	-	5/6 (10°) 5/4 (15°)	1200x1200
-	5	65	0	2/3 (10°) 2/3 (15°)	3	-	5/4 (10°) 5/4 (15°)	1200x1800

Note: the pivots were tested in a window with the Salto perimeter locking sets 4603, 4606 and 4608.

## 1.3. Gaskets

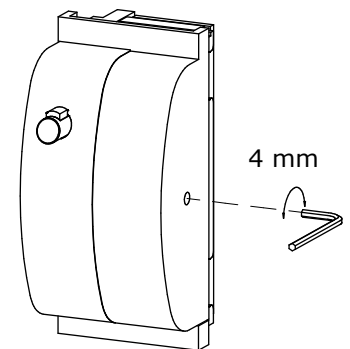
- The unique gasketed pivot remains wind and water tight without the use of sealants.
- The top and bottom gaskets assure that even if the intermediate section is cut too short (up to maximum 3 mm on both sides) the wind and water tightness is preserved.
- The gap between the boxed legs is sealed with a gasket against wind and water ingress.





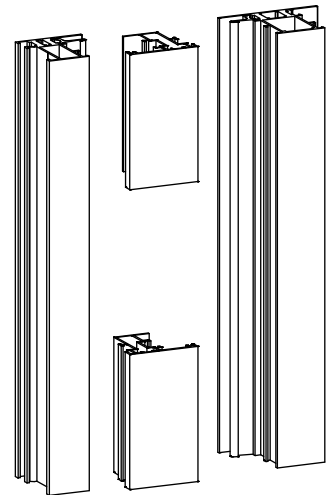
## 1.4. Adjustment of friction device

- Powerful integral adjustable friction device, preventing the window from closing. The more the friction is adjusted, the higher the operating force. So, the adjustment depends on the required comfort. The necessary friction force to hold open the window in any position between 0° and 170° depends on the profile choice, the dimensions and weight of the window.
- **Important to know!**  
The more friction force required to hold the window in a certain position, the more difficult it will be to open and close the window. You will always have this friction force which has to be overcome.
- The friction is adjusted by means of a hexagonal spanner of 4 mm through a small hole on the vent side of the pivot (see figure right).
- The adjustment is possible in open as well as in closed positions.
- Procedure: First, tighten the friction up hard on both pivots and rotate the vent several times to bed in the friction. Then slacken off and adjust the friction according to the dimensions and weight of the window.



## 1.5. Angular legs

- The Luna pivots have angular legs.
- The advantage of a pivot with angular legs is that the intermediate section can be cut straight (see figure).



## 1.6. Restrictor (option)

- The pivots are available with an integral fully automatic restrictor. The restrictor has a fully automatic stop at an angle of 10° or 15° and a reverse stop at 170°.
- The restrictor automatically resets on closing or fully reversing.
- The restrictor device is situated on the front face of the pivot, always visible and accessible.
- The restrictor is designed with safety in mind.
- The pivots are supplied with the restrictor-mechanism being isolated.
- Generally one pivot, usually the left one, is supplied with a restrictor. For large and heavy windows we recommend to fit both pivots with a restrictor.
- The restrictor is optional. So when ordering please indicate type of restrictor, degree of ventilation stop and quantity of left hand and/or right hand restricted pivots.

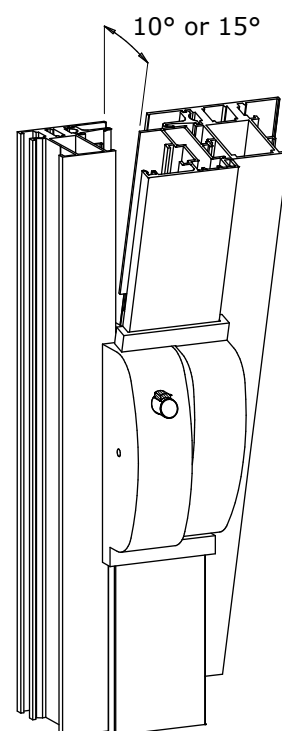


## LUNA PIVOTS SERIES 2600

## 2. Restrictor

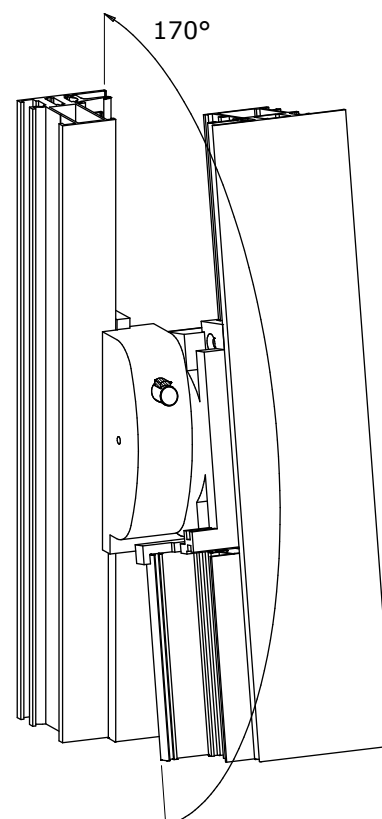
### 2.1. Opening stop at 10° or 15°

- Advantages:
  - Safety: In schools, hospitals and other buildings it may be desirable that the windows do not open further.
  - Aesthetic: In large buildings all windows can be in an identical opening degree for ventilation, when the friction device is adjusted correctly: see page H11.12.05.



### 2.2. Reverse stop at 170°

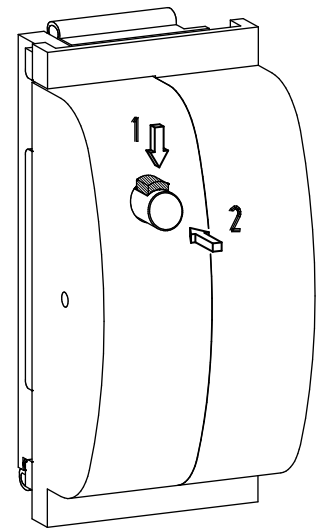
- Advantage: At 170° the spring-loaded reverse stop locks the window automatically providing safety when cleaning. In many countries this is required in most public buildings.





### 2.3. Restrictor n° BLOC A-..

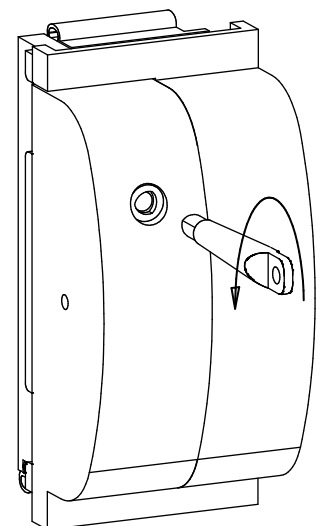
- The restrictor is designed with safety in mind: two simultaneous operations are necessary: while pushing the red button (1), the automatic restrictor can be released by pushing black button (2).
- In the normal position of the button, the window can only be opened up to ventilation position. When you release the restrictor, the window can be opened further up to 170°. At this opening angle a reverse stop is engaged. The window is in a safe cleaning position. After cleaning the window, operate the button again to turn the window to closed or ventilation position.
- The pivots are supplied with the restrictor-mechanism being isolated. The restrictor n° BLOC A is pushed in and covered by means of an adhesive tape, in order to avoid damage or misuse during the finishing of the building. At the final 'hand over' of the building, the adhesive tape must be removed to activate the restrictor.



Order code	Ventilation stop	Reverse stop
BLOC A-10	10°	170°
BLOC A-15	15°	170°

### 2.4. Restrictor n° BLOC C-..

- The restrictor is designed with safety in mind: a key operated restrictor. The automatic restrictor can only be released by using the special key.
- The key n° 2600C must be ordered separately.
- In the normal position of the restrictor, the window can only be opened up to the ventilation position. When you turn the restrictor with the key, the window can be opened further up to 170°. At this opening angle a reverse stop is engaged. The window is in a safe cleaning position. After cleaning the window, turn the restrictor again to turn the window to closed or ventilation position.



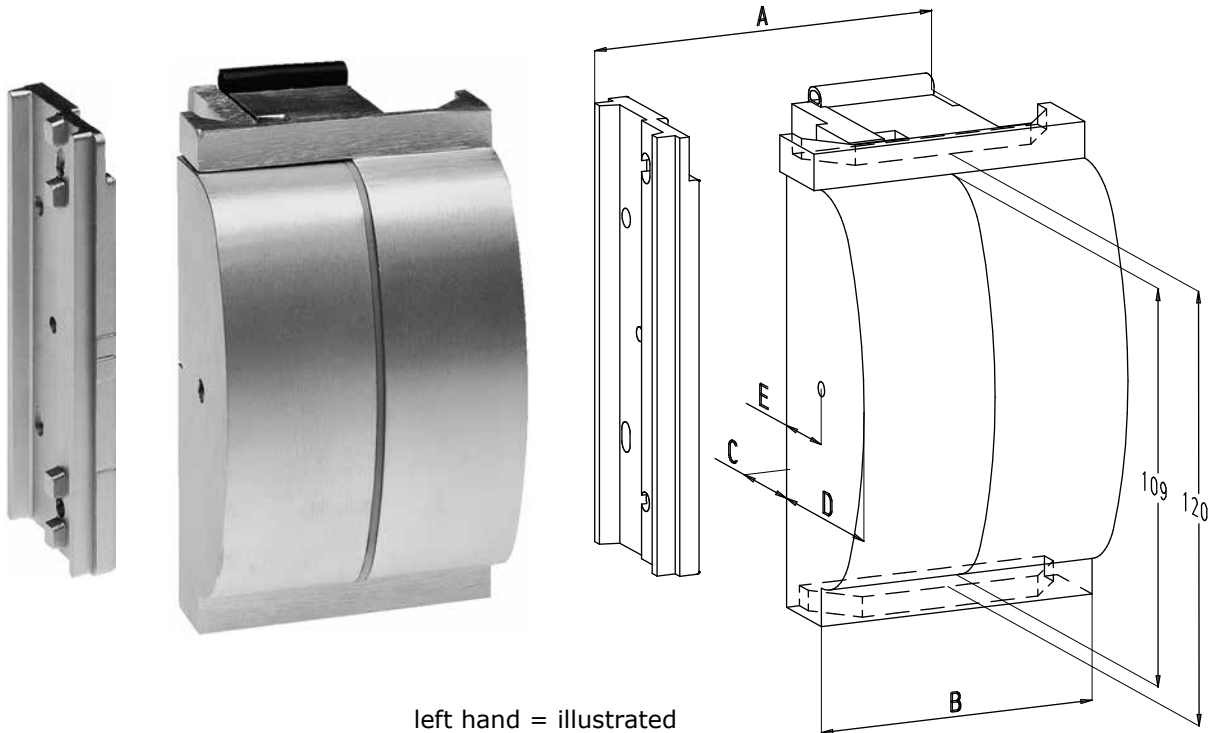
Order code	Ventilation stop	Reverse stop
BLOC C-10	10°	170°
BLOC C-15	15°	170°



Key n° 2600C

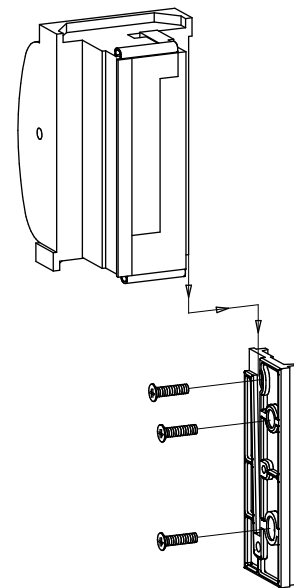


### 3. Demountable pivot



left hand = illustrated  
right hand = opposite view

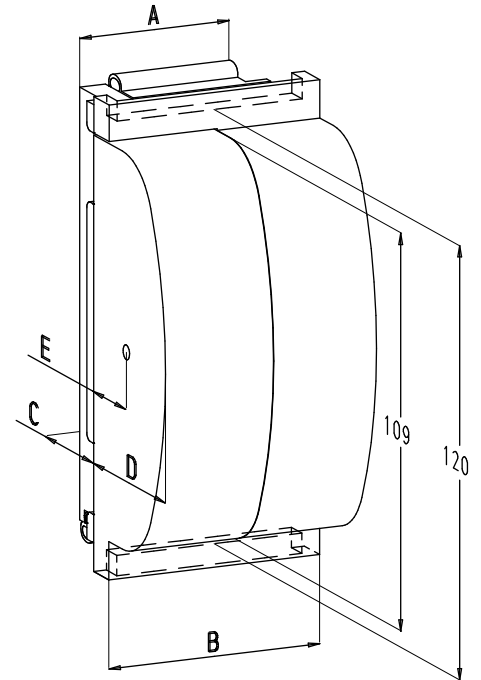
- The pivot is demountable.
- These pivots are supplied with a frame plate which makes it easy to demount the vent by unscrewing two screws in each pivot.
- The dimensions A, B, C and E depend on the section.







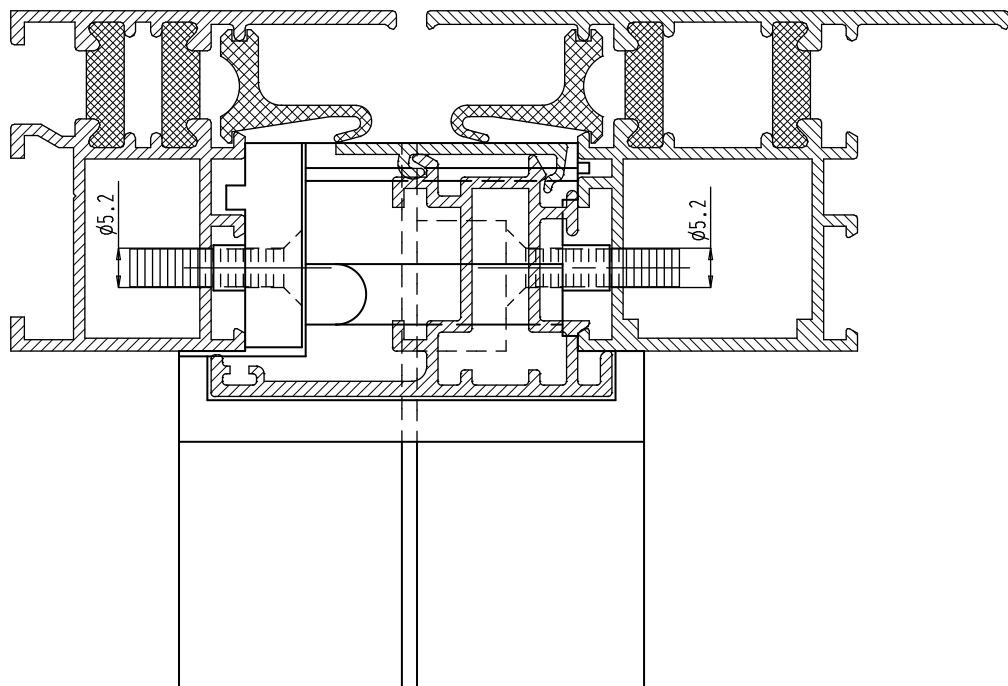
## 4. Non-demountable pivot



left hand = illustrated  
right hand = opposite view

- The pivot is non-demountable.
- The dimensions A, B, C and E depend on the section.

## 5. Installation example



Non-demountable pivot n° 2600-1

