



HORIZONTAL AND VERTICAL PIVOT WINDOWS



H13.11 HANDLES

01.11.2019



HANDLES

CONTENTS

1. General information	H13.11.03
1.1. Handles series 502 and 503	H13.11.03
1.2. Handles series 5020 and 5030	H13.11.03
2. Variations	H13.11.04
2.1. Right hand handles (RIGHT)	H13.11.04
2.2. Handles with fixing holes out of centre (B)	H13.11.04
2.3. Handles with concealed fixing holes (VI)	H13.11.04
2.4. Handles with security cylinder (CYL)	H13.11.05
2.5. Operating mechanism with loose grip n° 505: type V	H13.11.05
2.6. Operating mechanism with loose grip n° 505: type W	H13.11.06
2.7. Handles for ventilation position (N)	H13.11.06
2.8. Handles with location pins for PVC sections (K)	H13.11.07
2.9. Handles with opposite turn direction (P)	H13.11.07
2.10. Order examples	H13.11.07
3. Forks for handles series 502 and 5020	H13.11.08
4. Forks for handles series 503 and 5030	H13.11.09
5. Drive pin	H13.11.10
6. Preparations	H13.11.11
7. Application examples	H13.11.12



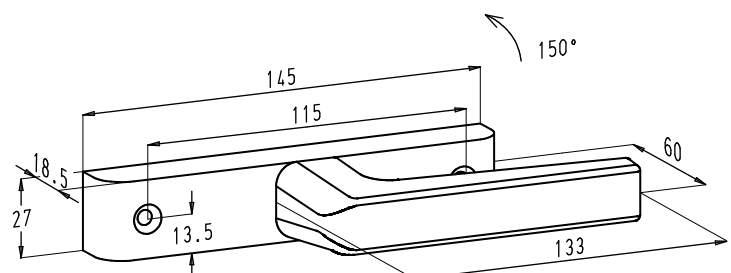
1. General information

- Handles with incorporated drive mechanism for the perimeter locking set.
- These handles are used to operate the horizontal and vertical pivoting windows with perimeter locking sets series 4608, 4606 and 4603.
- The standard handle is left hand. A left hand handle is turned to the left to open the window. On request we are able to manufacture right hand handles as well. When ordering please indicate quantity of left hand and right hand handles.
- Finish: aluminium anodised or polyester powder coated in more than 450 RAL colours. The handles with cam (N) can't be anodised.
- The handles are supplied with 3 mm thick forks, steel zinc plated:
 - series 502 and 5020: with 1 straight fork
 - series 503 and 5030: with 2 straight or cranked forks

1.1. Handles series 502 and 503



With straight grip

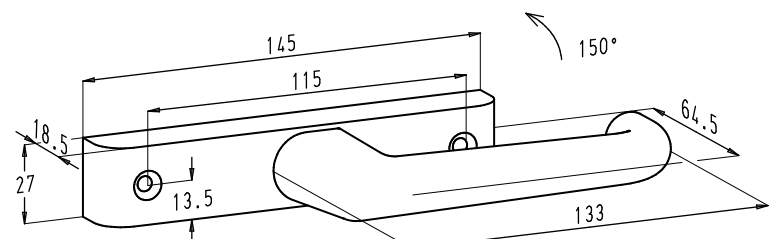


left hand = illustrated
right hand = opposite view

1.2. Handles series 5020 and 5030



With round grip



left hand = illustrated
right hand = opposite view

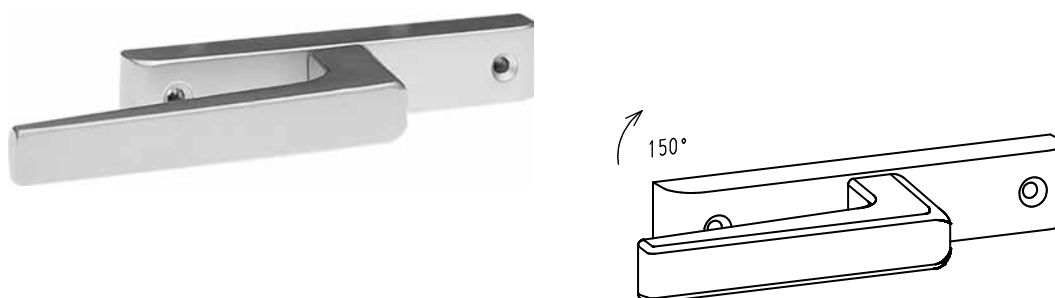


HANDLES

2. Variations

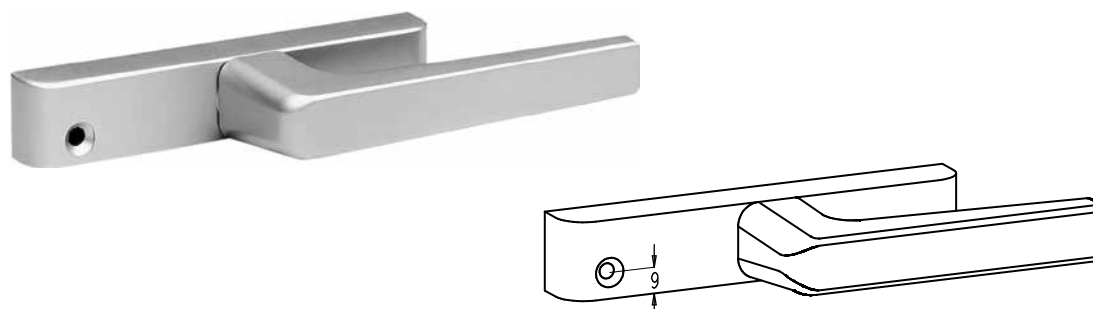
2.1. Right hand handles (RIGHT)

- The handle must be turned to the right to open the window.
- When ordering please add the word 'RIGHT' to the order code.



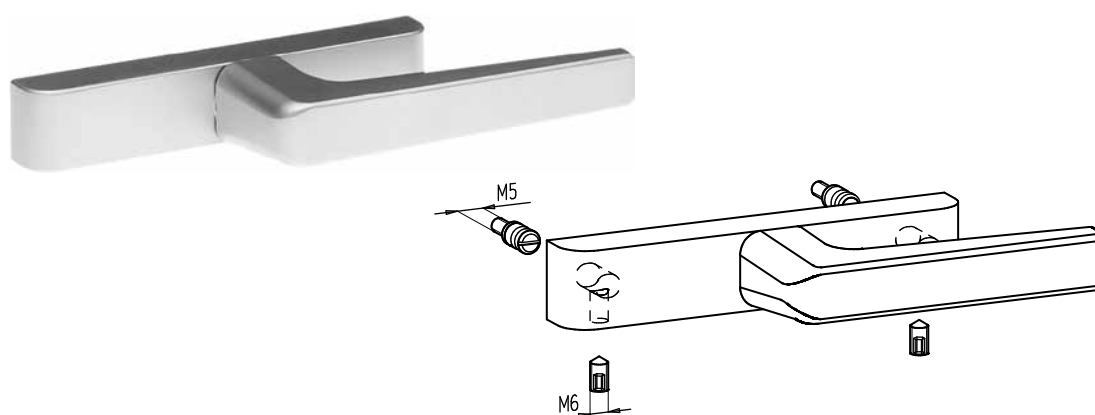
2.2. Handles with fixing holes out of centre (B)

- The fixing holes of the handle are out of centre.
- When ordering please add the indication 'B' to the order code.



2.3. Handles with concealed fixing holes (VI)

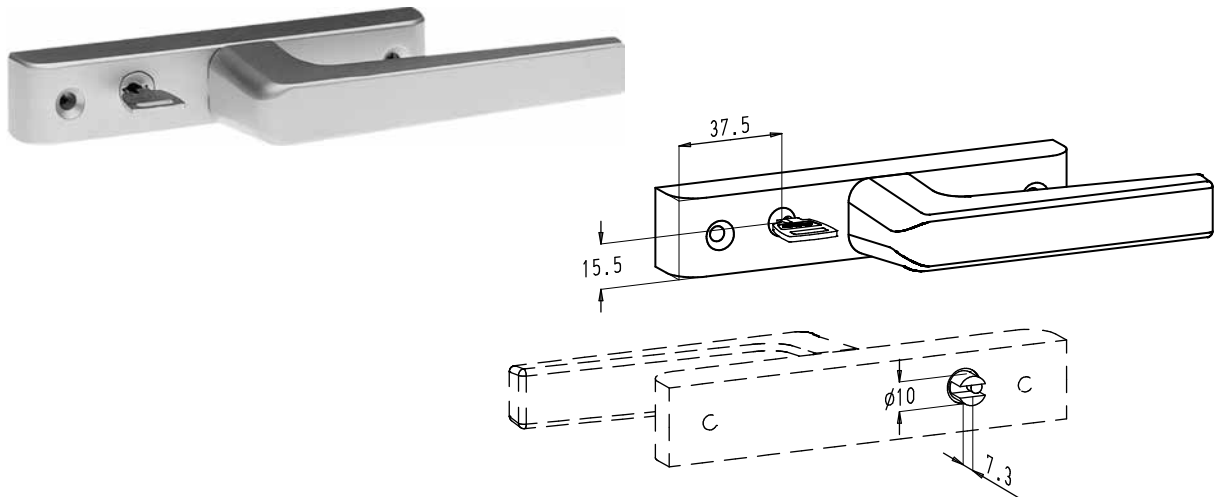
- Handles with central as well as out of centre fixing holes are available with concealed fixings.
- Special VI screws and grub screws in stainless steel are supplied together with the handle.
- When ordering please add the indication 'VI' to the order code.





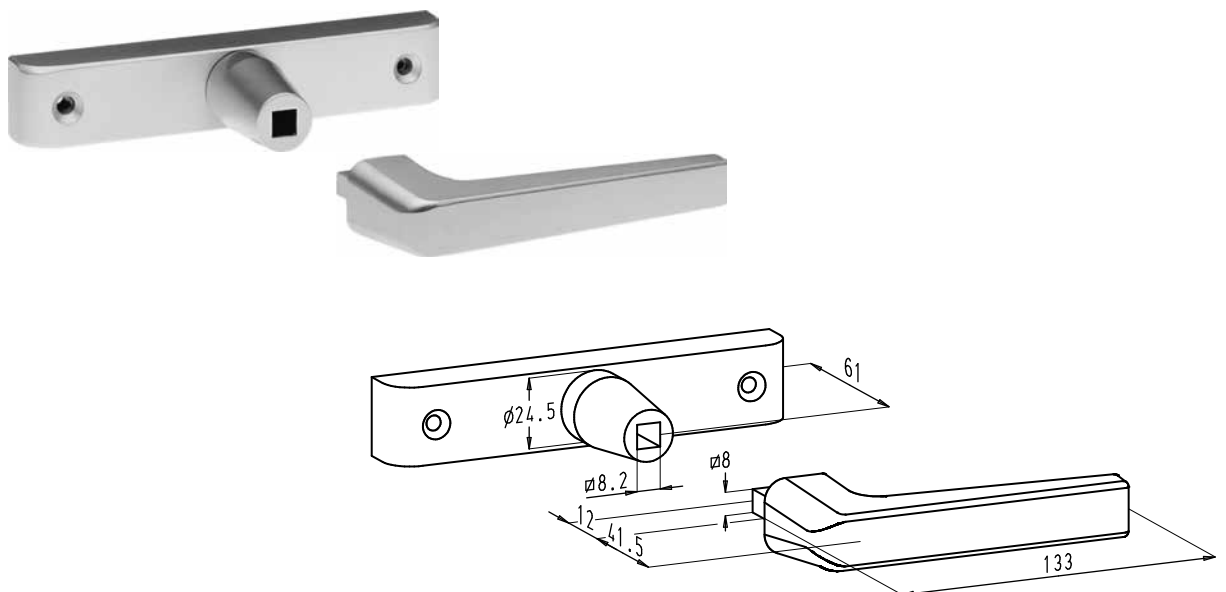
2.4. Handles with security cylinder (CYL)

- The handles series 502 and 5020 are available with security cylinder.
- When ordering please add the indication 'CYL' to the order code.



2.5. Operating mechanism with loose grip n° 505: type V

- All handles can be supplied as operating mechanism without grip.
- The operating mechanisms can be operated by loose grip n° 505.
- This is especially suitable in places where only authorized people can open the windows. In case of fire, the square pointed end of a fireman's axe can also operate the handle.
- When ordering please add the indication 'V' to the order code.

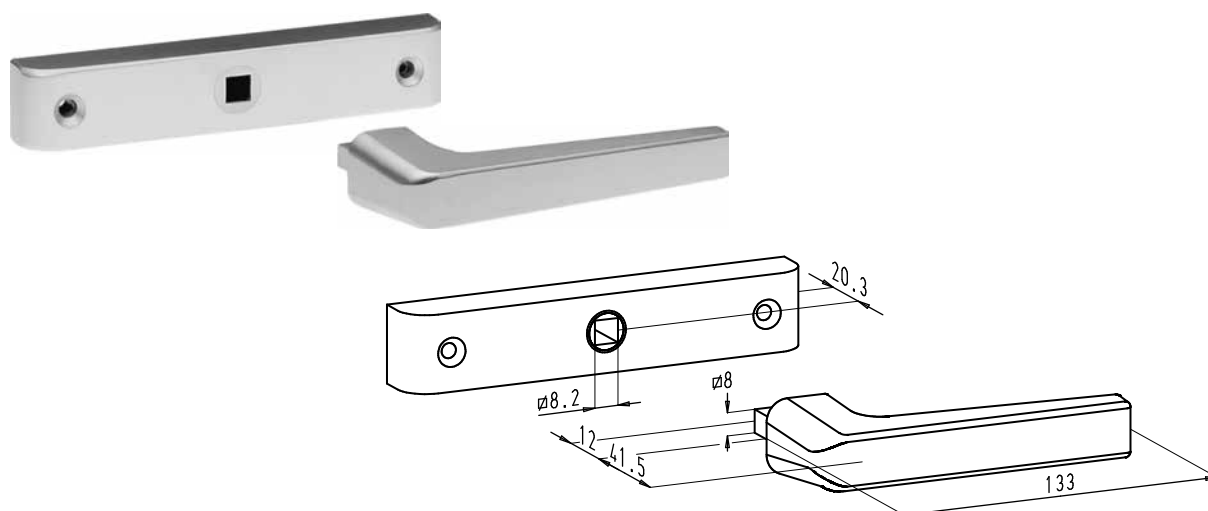




HANDLES

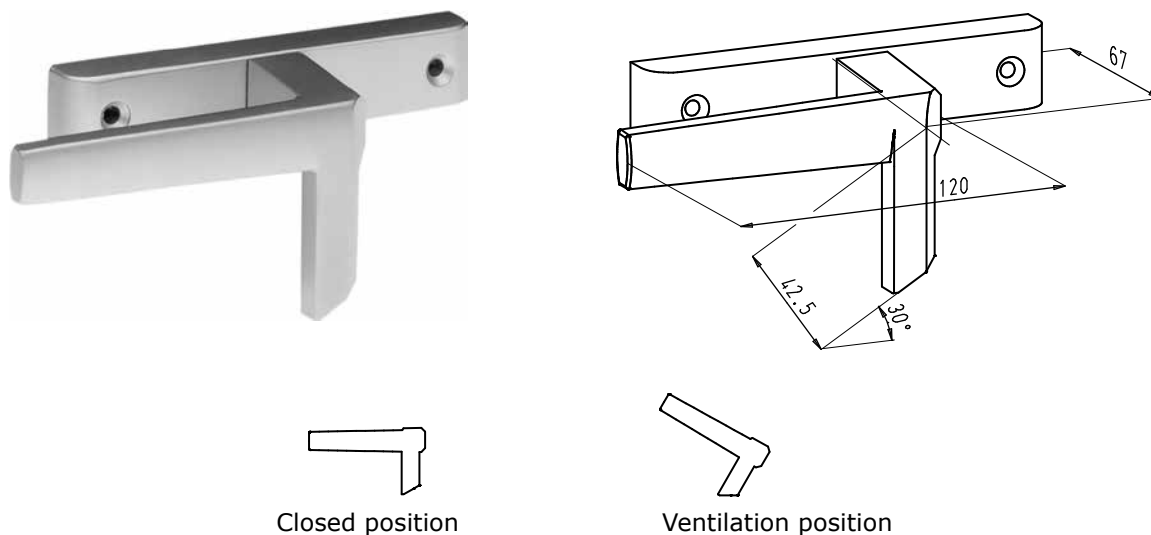
2.6. Operating mechanism with loose grip n° 505: type W

- All handles can be supplied as operating mechanism without grip.
- The square hole is flush with the backplate for this type.
- The operating mechanisms can be operated by loose grip n° 505.
- This is especially suitable in places where only authorized people can open the windows. In case of fire, the square pointed end of a fireman's axe can also operate the handle.
- When ordering please add the indication 'W' to the order code.



2.7. Handles for ventilation position (N)

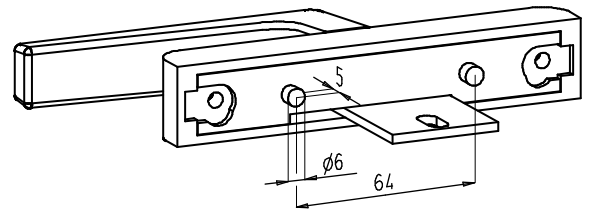
- All handles can be supplied with grip with cam for ventilation position.
- The handles with cam are only available as right hand handle.
- The handles with cam aren't available with anodised finish.
- When ordering please add the indication 'N' to the order code.





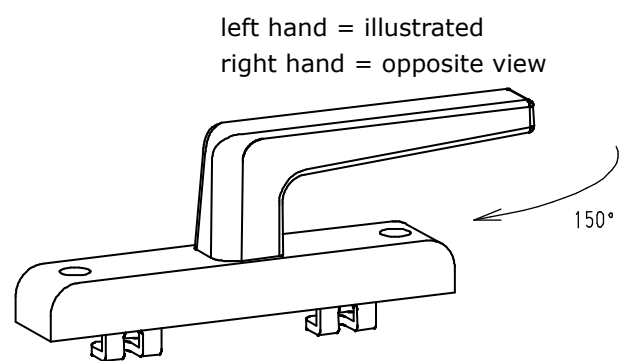
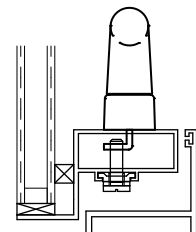
2.8. Handles with location pins for PVC sections (K)

- Certain handles series 502 and 5020 are available with a cover plate provided with 2 pins which fit into the PVC section to provide improved location.
- This variation is not possible for handles with security cylinder (CYL), with invisible fixing holes (VI) and for handles n° 502-7 and 5020-7.
- When ordering please add the indication 'K' to the order code.

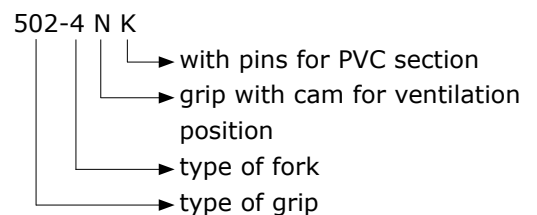
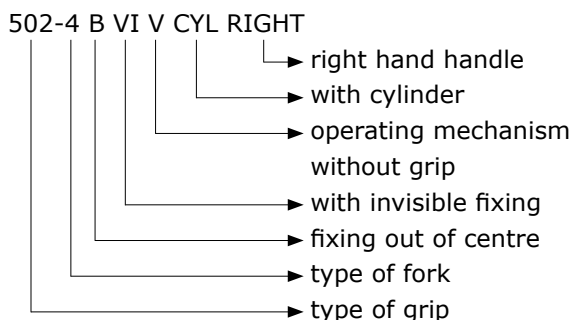


2.9. Handles with opposite turn direction (P)

- With these handles the grip turns to the opposite direction.
- Example: When the handle is mounted on the horizontal face of the vent section, the grip must turn away from the glass. This is the case when the handles are used to operate a project-out window of which the vent section is not suitable to mount the handle on the vertical vent surface.
- The handles series 502, 5020, 503 and 5030 are available as P-type.
- When ordering please add the indication 'P' to the order code.



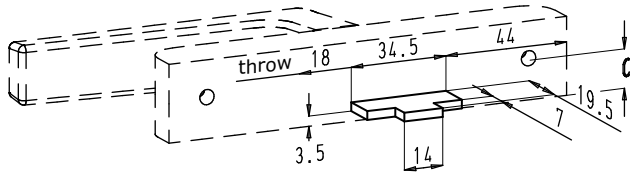
2.10. Order examples





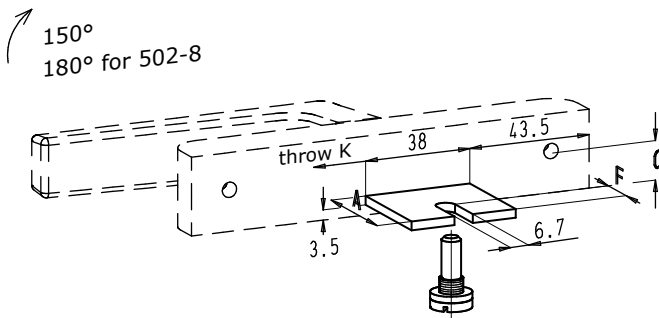
HANDLES

3. Forks for handles series 502 and 5020



left hand = illustrated
right hand = opposite view

Order code		Dimensions
Straight grip	Round grip	C mm
Standard type		
502-7	5020-7	13.5
With fixing holes out of centre		
502-7B	5020-7B	9



left hand = illustrated
right hand = opposite view

Order code		Dimensions			
Straight grip	Round grip	A mm	C mm	F mm	K mm
Standard type					
502-8	5020-8	25	13.5	14	22
502-9	5020-9	36	13.5	14	18
502-11	5020-11	29	13.5	14	18
502-12	5020-12	24.5	13.5	14	18
502-16	5020-16	53	13.5	14	18
502-18	5020-18	19	13.5	8.5	18
502-20	5020-20	6.5	13.5	0	18
502-22	5020-22	47	13.5	8	18
With fixing holes out of centre					
502-8B	5020-8B	25	9	14	22
502-9B	5020-9B	36	9	14	18
502-11B	5020-11B	29	9	14	18
502-12B	5020-12B	24.5	9	14	18
502-16B	5020-16B	53	9	14	18
502-18B	5020-18B	19	9	8.5	18
502-20B	5020-20B	6.5	9	0	18
502-22B	5020-22B	47	9	8	18

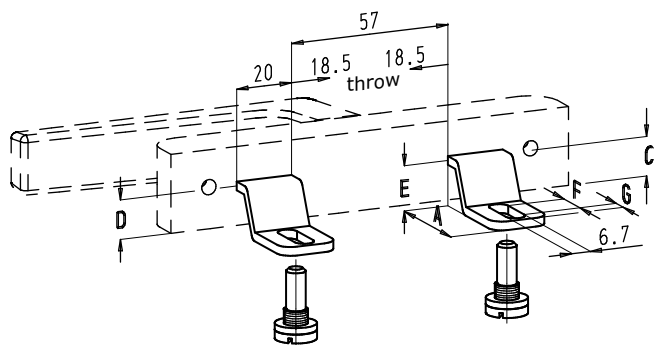
Notes:

- Handle type -8 turns 180°.
- Drive pin must be ordered separately: see page H13.11.10.



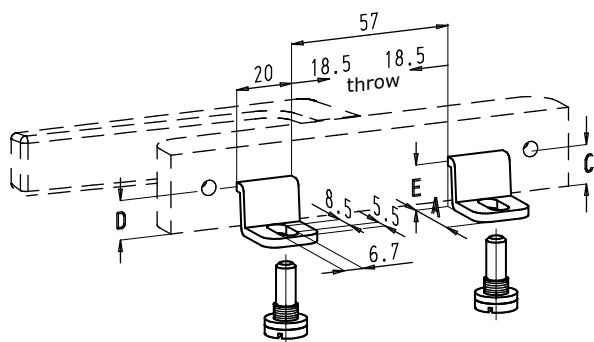
4. Forks for handles series 503 and 5030

• The drive pins must be ordered separately: see page H13.11.10.



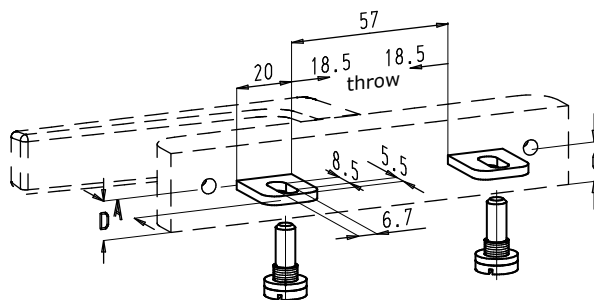
left hand = illustrated
right hand = opposite view

Order code		Dimensions					
Straight grip	Round grip	A mm	C mm	D mm	E mm	F mm	G mm
Standard type							
503-1	5030-1	36.5	13.5	13.5	15.5	12.5	5.5
With fixing holes out of centre							
503-1B	5030-1B	36.5	9	10	15.5	12.5	5.5



left hand = illustrated
right hand = opposite view

Order code		Dimensions			
Straight grip	Round grip	A mm	C mm	D mm	E mm
Standard type					
503-2	5030-2	24	13.5	13.5	11.5
503-7	5030-7	24	13.5	13.5	15.5
With fixing holes out of centre					
503-2B	5030-2B	24	9	10	11.5
503-7B	5030-7B	24	9	10	15.5

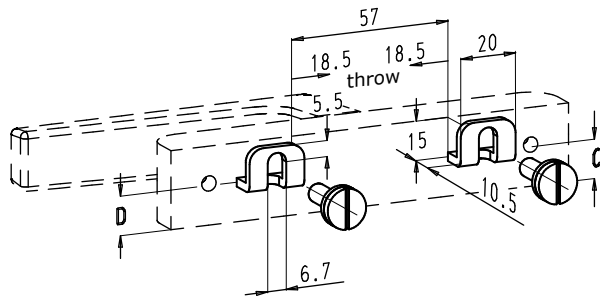


left hand = illustrated
right hand = opposite view

Order code		Dimensions		
Straight grip	Round grip	A mm	C mm	D mm
Standard type				
503-4	5030-4	24	13.5	13.5
503-14	5030-14	31	13.5	13.5
With fixing holes out of centre				
503-4B	5030-4B	24	9	10
503-14B	5030-14B	31	9	10



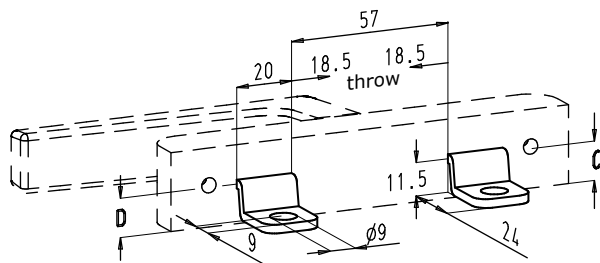
HANDLES



left hand = illustrated
right hand = opposite view

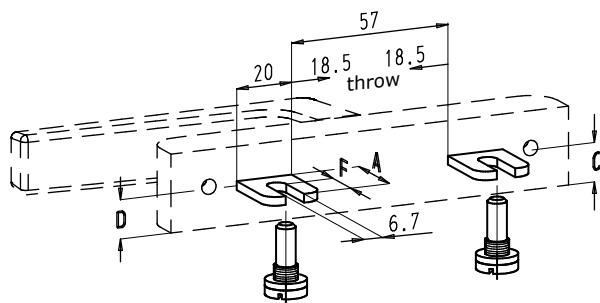
Order code		Dimensions	
Straight grip	Round grip	C mm	D mm
Standard type			
503-9	5030-9	13.5	13.5
With fixing holes out of centre			
503-9B	5030-9B	9	10

Note: This handle is suitable to mount on a horizontal section face.



left hand = illustrated
right hand = opposite view

Order code		Dimensions	
Straight grip	Round grip	C mm	D mm
Standard type			
503-13	5030-13	13.5	13.5
With fixing holes out of centre			
503-13B	5030-13B	9	10

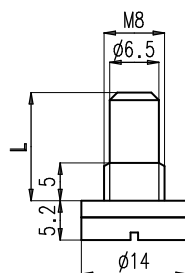


left hand = illustrated
right hand = opposite view

Order code		Dimensions			
Straight grip	Round grip	A mm	C mm	D mm	F mm
Standard type					
503-11	5030-11	18	13.5	13.5	8.5
503-15	5030-15	31	13.5	13.5	18.5
503-16	5030-16	45	13.5	13.5	14
503-17	5030-17	24	13.5	13.5	14
With fixing holes out of centre					
503-11B	5030-11B	18	9	10	8.5
503-15B	5030-15B	31	9	10	18.5
503-16B	5030-16B	45	9	10	14
503-17B	5030-17B	24	9	10	14

5. Drive pin

- The drive pin in stainless steel which locates in the fork slot must be ordered separately.
- The set contains a drive pin and a washer.



Order code	L mm
503-1-10B	13
503-7-10	14.5
503-1-10C	17
503-1-10	19
504V-1-10	23
503-2-10	28
502-16-10	31



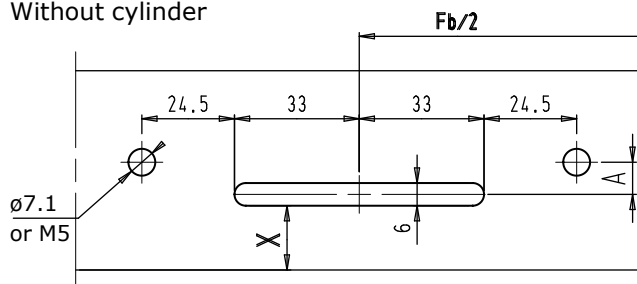
6. Preparations

General

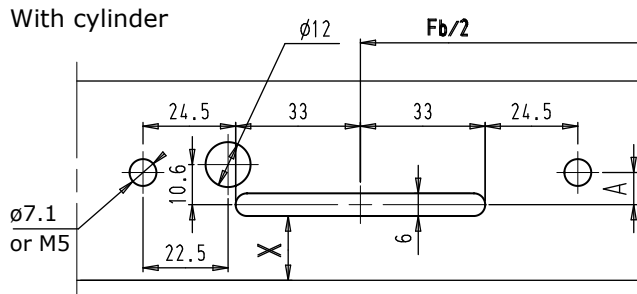
- Only the handles with 1 fork are possible with cylinder.
- Dimension X is profile-related.
- The handles are preferably fixed with blind rivnuts. Therefore you must drill holes with diameter $\varnothing 7.1$ mm. Fixing holes M5 when you fix directly in the profile.

Handles with 1 fork (502 and 5020)

Without cylinder



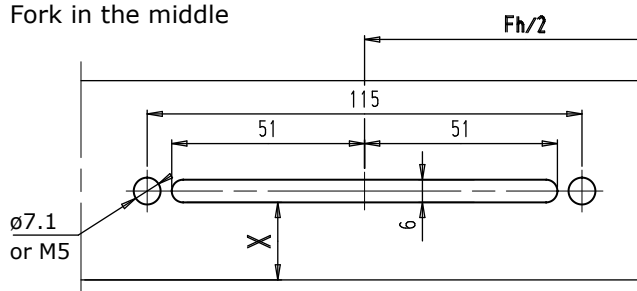
With cylinder



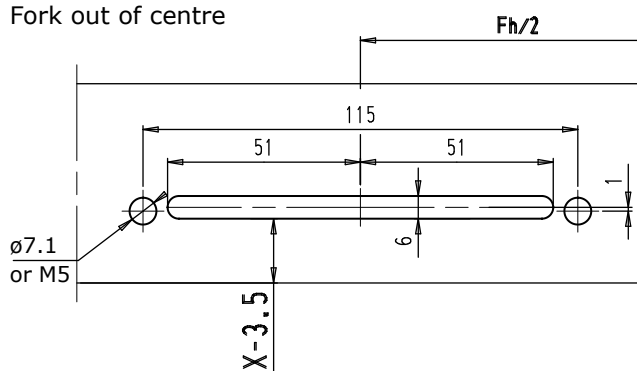
Standard: A=8.5 mm
B-version: A=4 mm

Handles with 2 forks (503 and 5030)

Fork in the middle



Fork out of centre





HANDLES

7. Application examples

