

K12.13 SINGLE LOCKS SERIES 8000

01.11.2019



SINGLE LOCKS SERIES 8000

CONTENTS

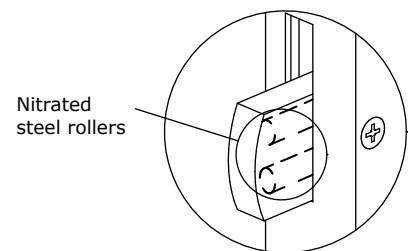
1. Door locks series 8000	K12.13.03
1.1. General	K12.13.03
1.2. Turning of the latch bolt	K12.13.04
1.3. Lock with latch bolt and dead bolt	K12.13.04
1.4. Lock with roller and dead bolt	K12.13.05
1.5. Lock with dead bolt only	K12.13.06
1.6. Drilling operations	K12.13.07
2. Keeps	K12.13.08
2.1. General	K12.13.08
2.2. Keeps for locks with latch bolt or roller and dead bolt	K12.13.08
2.3. Keeps for locks with dead bolt only	K12.13.10
2.4. Keeps for hook locks	K12.13.11
3. Electric strikes	K12.13.12
3.1. General information	K12.13.12
3.2. Order codes	K12.13.13
3.3. Types and function	K12.13.13
3.4. Electric strikes with keep series 8355-.-.	K12.13.14
4. Application examples	K12.13.15



1. Door locks series 8000

1.1. General

- The dead bolt is pivoting, rather than sliding. It is therefore longer than conventional bolts, so there is the same proportion of the dead bolt within the lockcase as is engaged into the frame, making it extremely difficult for burglars to force entry.
- Locking and unlocking by a single turn of 360° with the cylinder key.
- The latch bolt can be operated by the door handle as well as by the key.
- Two holes above and below the handle opening allow the door handles to be screwed to each other through the lock, so there are no screws visible from the outside. In addition to a more pleasing look and increased security a much stronger fastening of the door handles is obtained.
- The lock can be used left hand and right hand simply by turning the latch bolt.
- The lock is manufactured from non-corroding materials.
- All locks can also be supplied in a P-type version, which means that the dead bolt is equipped with two invisible nitrated steel rollers, making it impossible to cut the bolt with a hacksaw. Recommended for double action doors and doors without rebate.
- P-type locks have the same dimensions as the standard locks.
- Finish:
 - lockcase, faceplate : zinc alloy, natural colour coated
 - latch bolt : zinc alloy nickel plated
 - night bolt : zinc alloy zinc plated
- The locks are tested in accordance with the European standard EN 12209:2003/AC:2005 and obtained the following classification code:



P-type

Category of use	Durability	Door mass	Fire resistance	Safety	Corrosion resistance	Security	Door application	Type of key operation	Type of spindle	Key identification
3	H	7	0	0	C	1	B	A	2	0

- **Note:**
The cylinder should always be mounted with the night bolt in unlocked position.

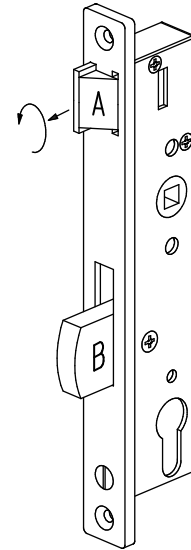


SINGLE LOCKS SERIES 8000

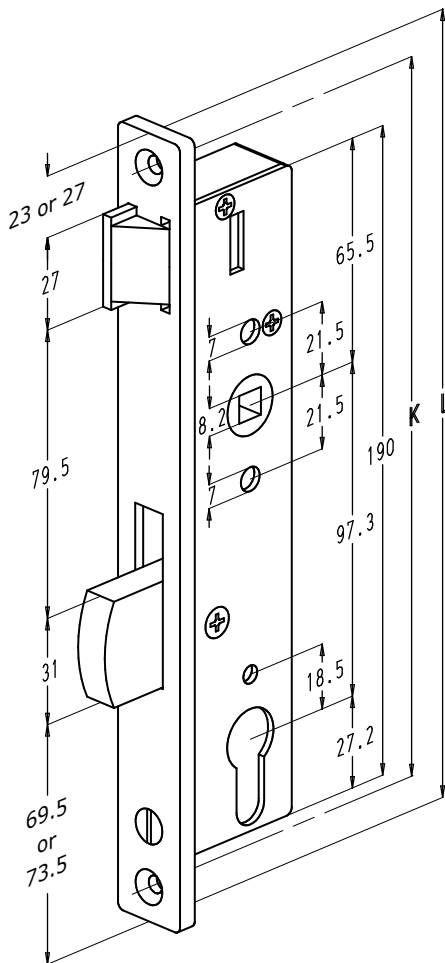
1.2. Turning of the latch bolt

Procedure:

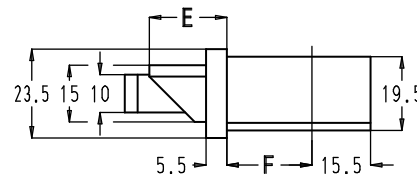
1. Put the dead bolt (B) in locked position.
2. Pull the latch bolt (A) forwards with a pair of pliers.
3. Turn the latch bolt (A) 180°.
4. Move the latch bolt (A) backwards.



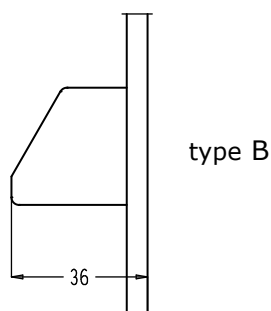
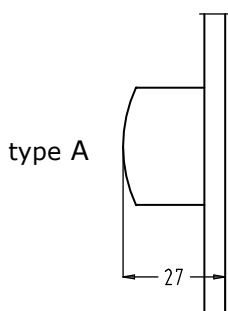
1.3. Lock with latch bolt and dead bolt



Order code standard type	Type bolt	E (mm)	F (mm)	K (mm)	L (mm)	Order code P-type
8001-25	A	15	22.5	210	230	8001P-25
8002-25	B					8002P-25
8005-25	A	8005P-25				
8006-25	B	8006P-25				
8008-25	B	24				8008P-25
8001-30	A	15	27.5			8001P-30
8002-30	B					8002P-30
8005-30	A	8005P-30				
8006-30	B	8006P-30				
8001-35	A	15	32.5	222	238	8001P-35
8002-35	B					8002P-35

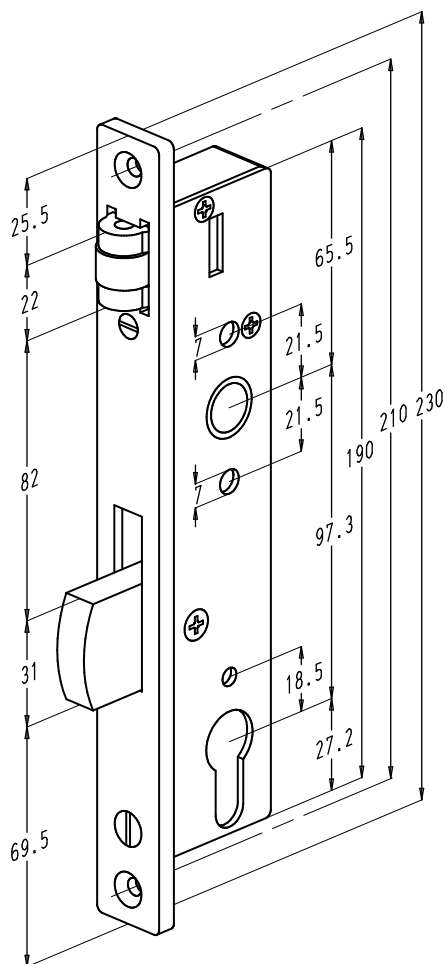


• Dead bolts:

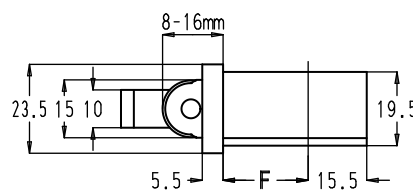




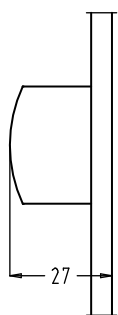
1.4. Lock with roller and dead bolt



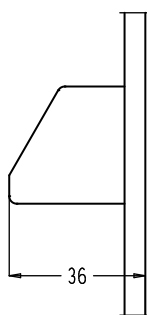
Order code standard type	Type bolt	F (mm)	Order code P-type
8011-25	A	22.5	8011P-25
8012-25	B		8012P-25
8011-30	A	27.5	8011P-30
8012-30	B		8012P-30



• Dead bolts:

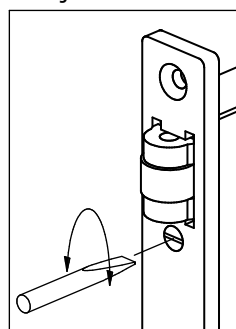


type A



type B

Adjustable roller

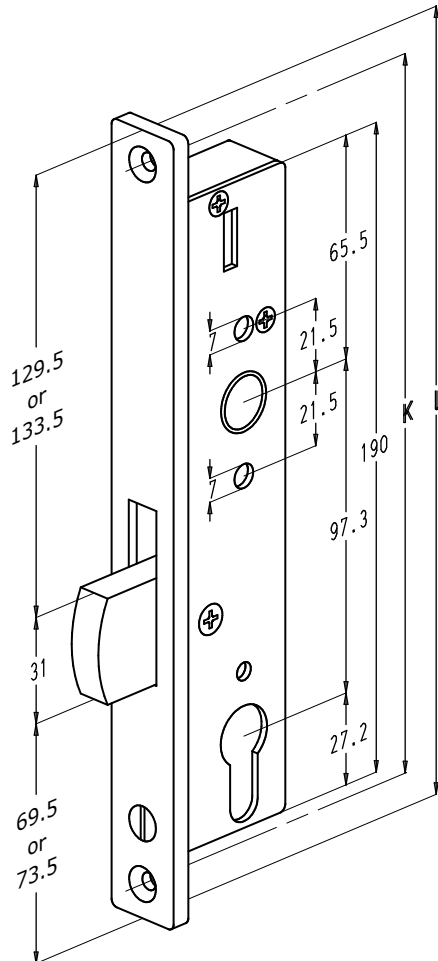


The roller has an adjustment range of 8 mm. Adjust the roller with a screwdriver.

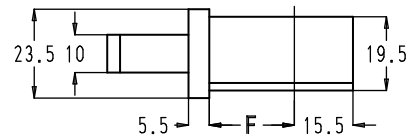


SINGLE LOCKS SERIES 8000

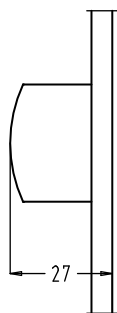
1.5. Lock with dead bolt only



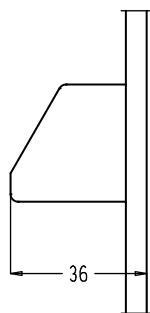
Order code standard type	Type bolt	F (mm)	K (mm)	L (mm)	Order code P-type
8021-25	A	22.5	210	230	8021P-25
8022-25	B				8022P-25
8027-25	C				8027P-25
8028-25	D				8028P-25
8021-30	A	27.5	210	230	8021P-30
8022-30	B				8022P-30
8027-30	C				8027P-30
8028-30	D				8028P-30
8021-35	A	32.5	222	238	8021P-35
8022-35	B				8022P-35
8027-35	C				8027P-35
8028-35	D				8028P-35



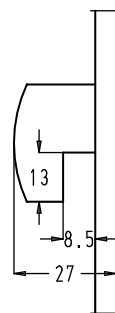
• Dead bolts:



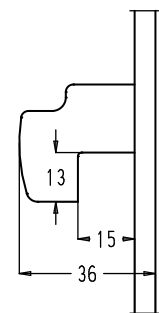
type A



type B



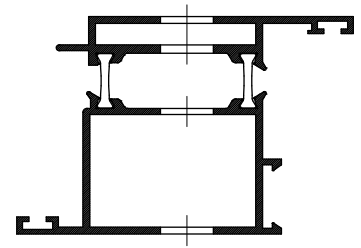
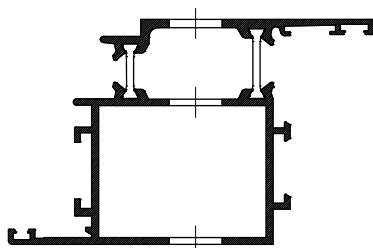
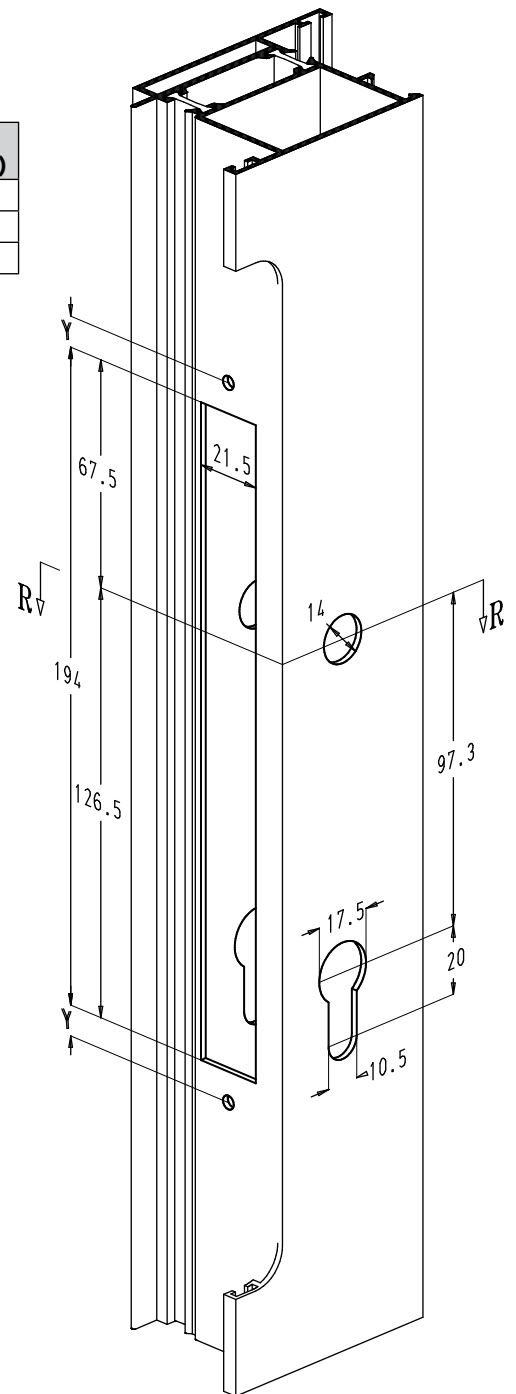
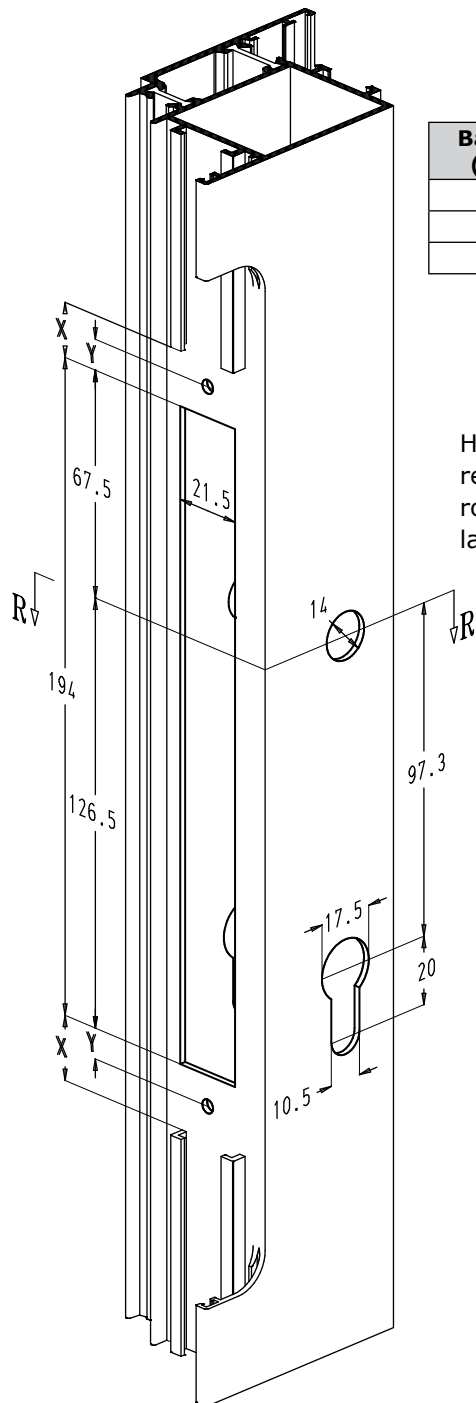
type C



type D



1.6. Drilling operations





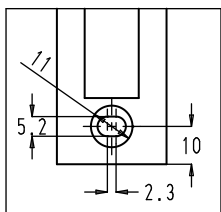
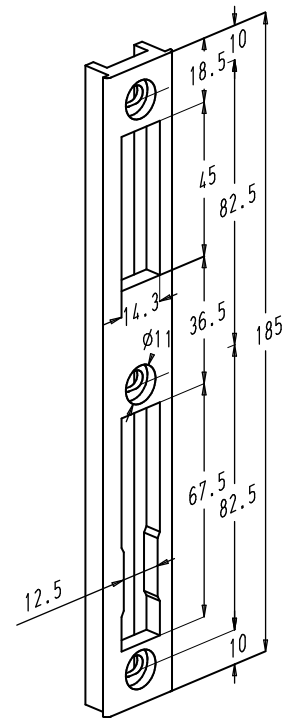
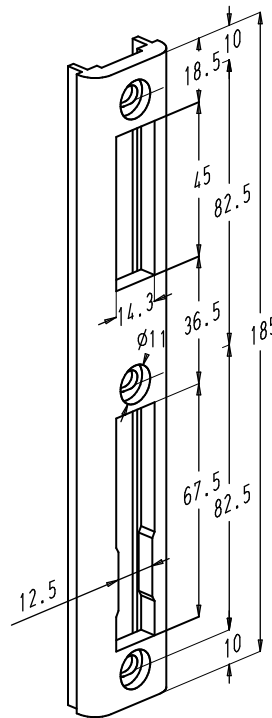
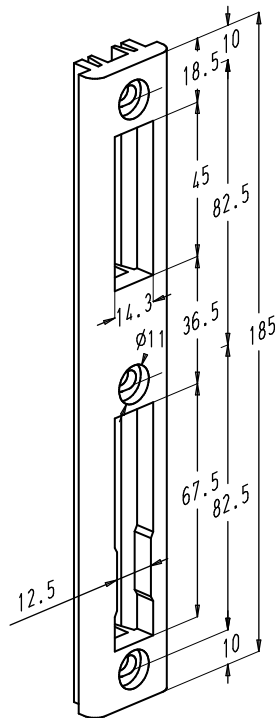
SINGLE LOCKS SERIES 8000

2. Keeps

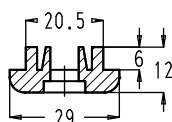
2.1. General

- There are 3 types of keeps:
 - keeps for locks with latch bolt or roller and dead bolt.
 - keeps for locks with dead bolt only.
 - keeps for locks with hook bolt.
- All keeps are horizontally adjustable. The adjustment range is 2.3 mm. Exception: keeps n 897, 897-2 and 897K-2 are not adjustable.
- Finish: aluminium anodised or polyester powder coated (more than 450 RAL colours), except keeps n° 897, 897-2 and 897K-2 in stainless steel.

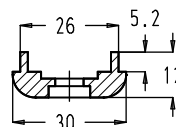
2.2. Keeps for locks with latch bolt or roller and dead bolt



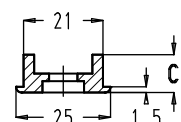
Fixing holes with a horizontal adjustment range of 2.3 mm.



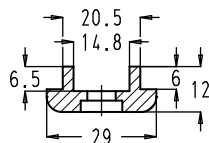
n° 891



n° 893



n° 894
n° 895

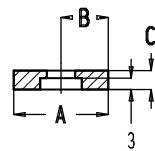
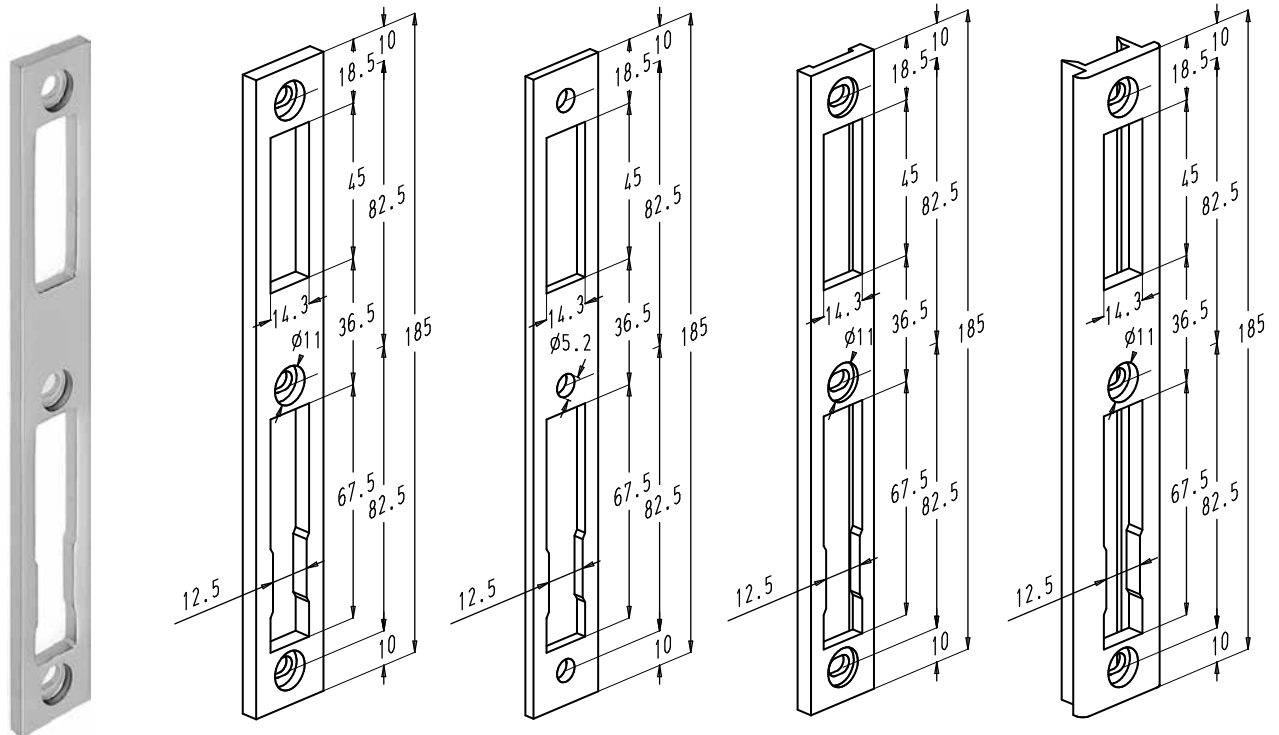


n° 891B

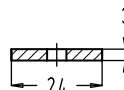
Order code	C (mm)
894	10
895	8.7



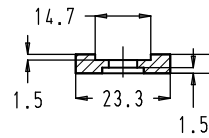
SINGLE LOCKS SERIES 8000



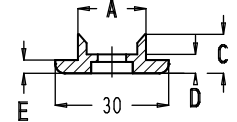
n° 896 ,B,C,D
n° 898 ,B,C



n° 897

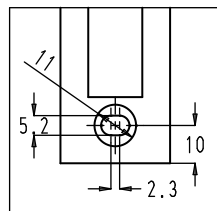


n° 8910



n° 898D
n° 8912

Order code	A (mm)	B (mm)	C (mm)
896	25	12.5	5
896B	22	11	5
896C	20	10	5
896D	20	10	5
898	30	15	6
898B	30	15	6
898C	29	14.5	6



Fixing holes with a horizontal adjustment range of 2.3 mm.

Order code	A (mm)	C (mm)	D (mm)	E (mm)
898D	18	-	6	3.5
8912	20.8	10.3	5	3

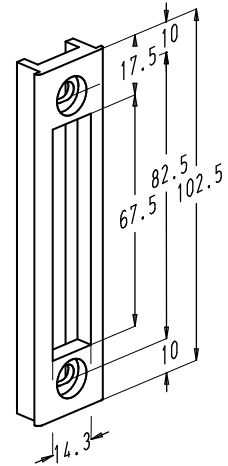
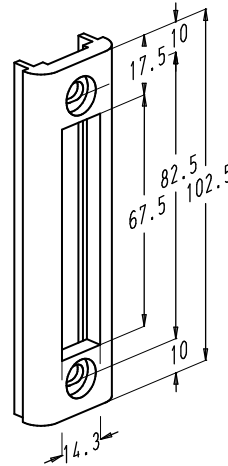
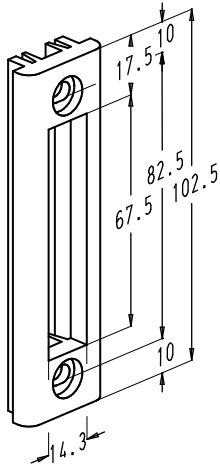
• Notes:

- Keep n° 896D is supplied with 3 washers $\phi 10 \times 10$.
- Keep n° 898B is supplied with 3 washers $\phi 10 \times 5$.

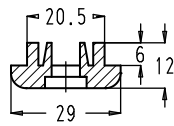


SINGLE LOCKS SERIES 8000

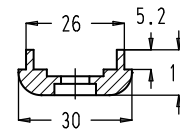
2.3. Keeps for locks with dead bolt only



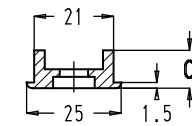
Order code	C (mm)
894-2	10
895-2	8.7



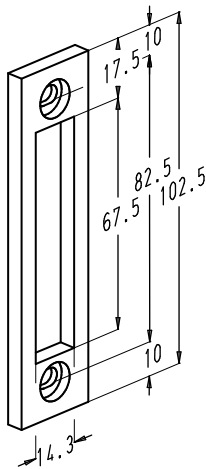
n° 891-2



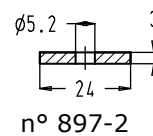
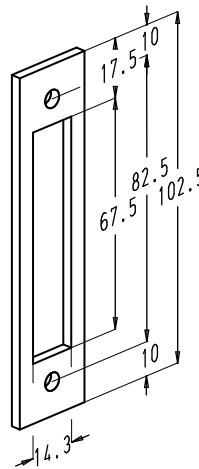
n° 893-2



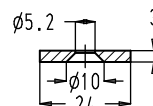
n° 894-2
n° 895-2



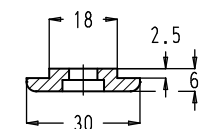
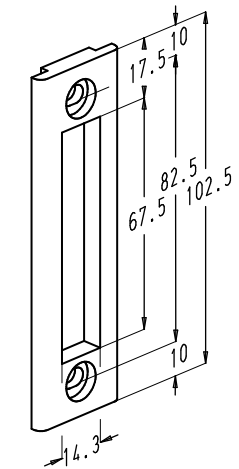
n° 896 ,B,C,D-2
n° 898 ,B,C-2



n° 897-2



n° 897B-2

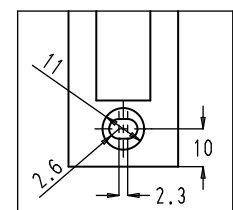


n° 898D-2

Order code	A (mm)	B (mm)	C (mm)
896-2	25	12.5	5
896B-2	22	11	5
896C-2	20	10	5
896D-2	20	10	5
898-2	30	15	6
898B-2	30	15	6
898C-2	29	14.5	6

• Notes:

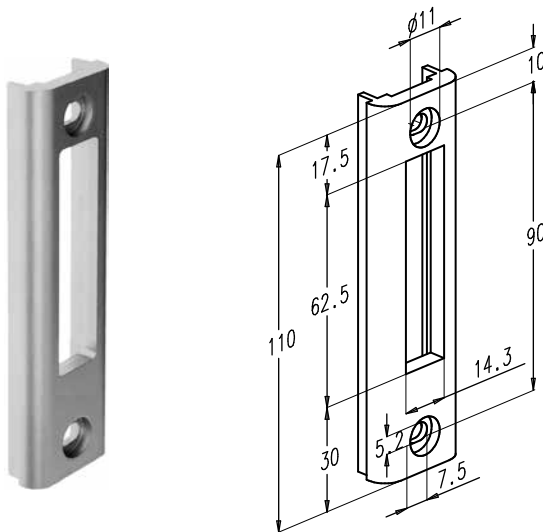
- Keep n° 896D-2 is supplied with 2 washers $\varnothing 10 \times 10$.
- Keep n° 898B-2 is supplied with 2 washers $\varnothing 10 \times 5$.
- Keep n° 898D-2 is supplied with 2 washers $\varnothing 10 \times 2.5$.



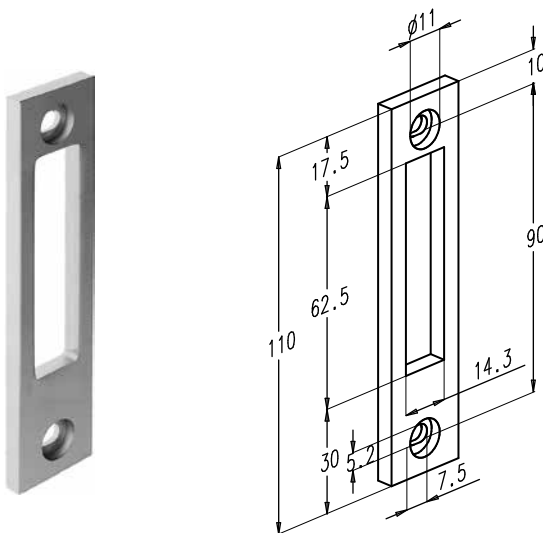
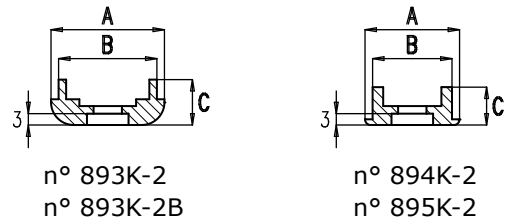
Fixing holes with a horizontal adjustment range of 2.3 mm.



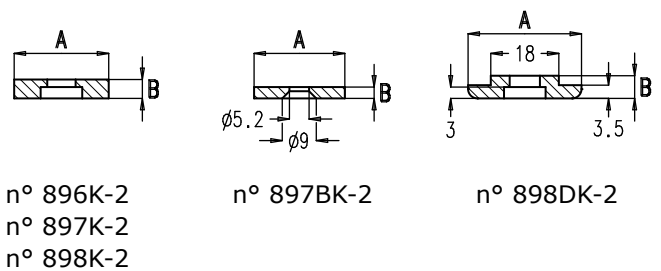
2.4. Keeps for hook locks



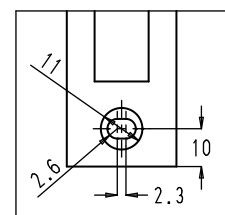
Order code	A (mm)	B (mm)	C (mm)
893K-2	30	26	12
893K-2B	30	26	10.5
894K-2	25	21	10
895K-2	25	21	8.7



Order code	A (mm)	B (mm)
896K-2	25	5
896BK-2	22	5
896CK-2	20	5
896DK-2	20	5
897K-2	24	3
897BK-2	24	3
898K-2	30	6
898BK-2	30	6
898CK-2	29	6
898DK-2	30	6



- Notes:
 - Hook keep n° 896DK-2 is supplied with 2 washers $\phi 10 \times 10$.
 - Hook keep n° 898BK-2 is supplied with 2 washers $\phi 10 \times 5$.
 - Hook keep n° 898DK-2 is supplied with 2 washers $\phi 10 \times 2.5$.



Fixing holes with a horizontal adjustment range of 2.3 mm.

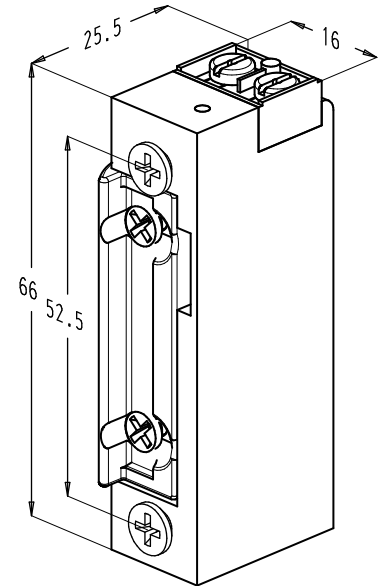
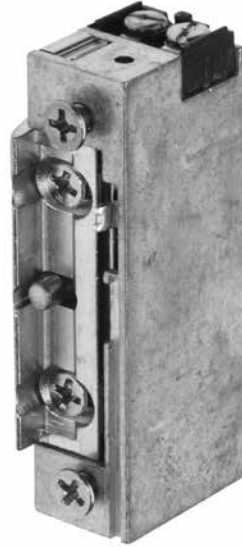


SINGLE LOCKS SERIES 8000

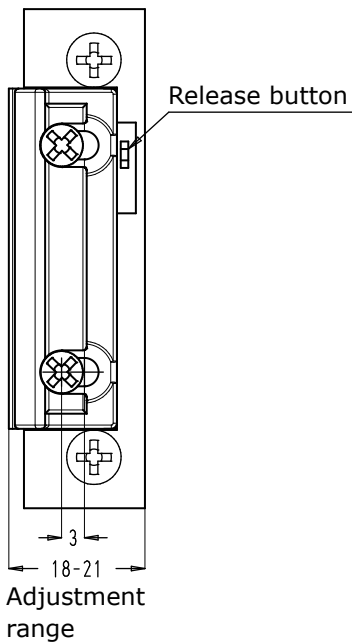
3. Electric strikes

3.1. General information

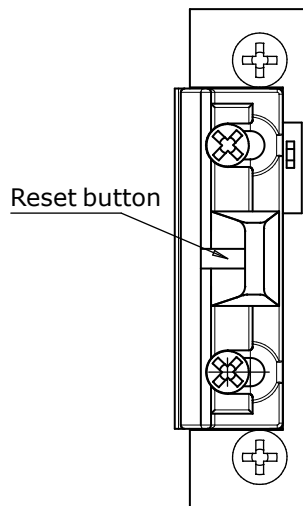
- Small electric strike incorporating a space-saving locking flap, especially developed for installation in aluminium doors.
- The flap rotates back within the keep when operated. Big advantage: the cut-out is much smaller making the installation aesthetically pleasing.
- Break-in resistance of strike: 3750 N.
- Width adjustment of the locking flap: 3 mm.
- Current consumption:
 - Alternating current (AC): 250 mA at 12V
 - Direct current (DC): 280 mA at 12V
- The electric strikes are handed.



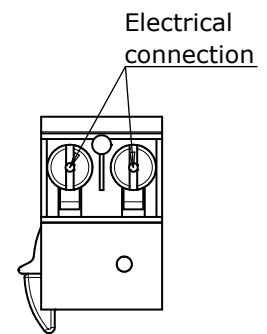
Mechanical release (version E)



Reset button



Electrical connection



- Quick and easy electrical connection.

- The reset button applies only to type 128 where the strike is held in the release position until the door has been opened.
- This button resets the electric strike when the door opens.

- The release button (version E) allows to suspend temporarily the automatic locking upon closing the door.
- Only available for type 118 and 128.



3.2. Order codes

- The following electric strikes are available:

Order code	Voltage	Note
787-118	10-24V AC/DC	
788-118E	10-24V AC/DC	With release button
787-128	10-24V AC/DC	
788-128E	10-24V AC/DC	With release button
787-138-12	12V DC	
787-138-24	24V DC	

3.3. Types and function

Model 118

- The door is only unlocked when you push a button. After releasing the button the door is locked again.
- This type works on 10-24V AC/DC and may be permanently connected to electrical supply up to 12V.
- Note: when the door is pushed open by the gaskets, the door can still be open after releasing the button. This can be solved by mounting a door closer on the door.
- This type is available with release button (version E). The release button allows to suspend temporarily the automatic locking upon closing the door.

Electric strike			
Door			
Operation			

Model 128

- On releasing the electric strike, for example, from a button on an intercom system, the strike is held in the release position until the door has been opened.
- The electric strike resets when the door opens. This means there is no need to rush through the door.
- This type works on 10-24V AC/DC and may be permanently connected to electrical supply up to 12V.
- This type is available with release button (version E). The release button allows to suspend temporarily the automatic locking upon closing the door.

Electric strike					
Door					
Operation					

Model 138

- This type works on 12V DC or 24V DC and may be permanently connected to electrical current.
- The electric strike is mainly used in combination with an emergency or a fire centre. In case of a power failure, the door can be opened.

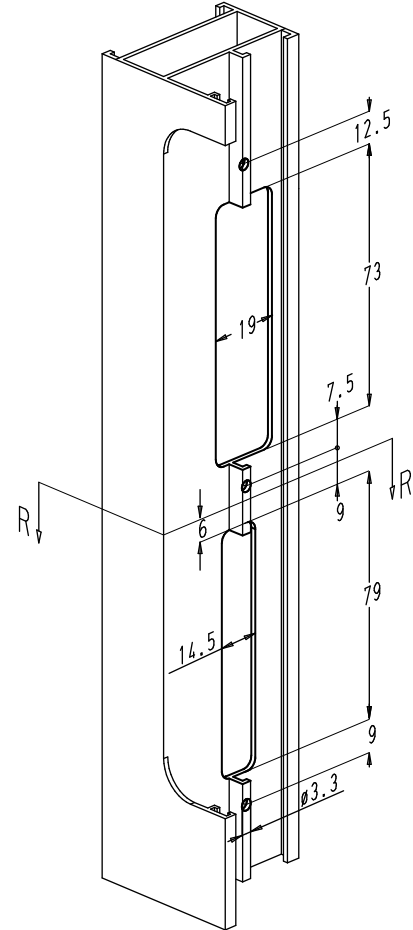
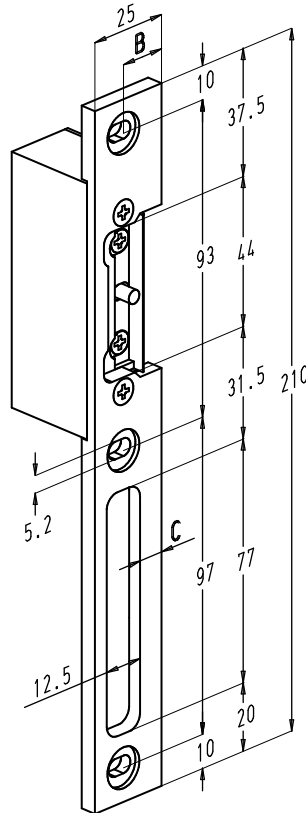
Electric strike			
Door			
Operation			



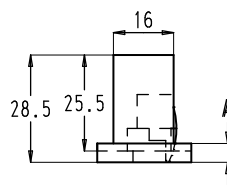
SINGLE LOCKS SERIES 8000

3.4. Electric strikes with keep series 8355-.-.

- Electric strikes with extended faceplate for latch bolt and dead bolt.
- Finish: keep in aluminium natural anodised.



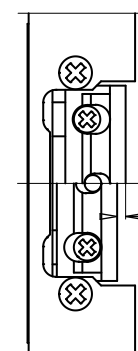
left hand = illustrated
right hand = opposite view



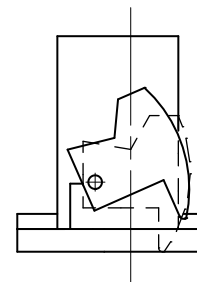
Order code	A (mm)	B (mm)	C (mm)	Possibilities		
8355-51	5	14.3	8.05	118	10-24V AC/DC	left or right
8355-52	8	10.7	4.45	118E	10-24V AC/DC	
8355-53	10	10.7	4.45	128	10-24V AC/DC	
8355-54	12	10.7	4.45	128E	10-24V AC/DC	
8355-55	8	14.3	8.05	138-12	12V DC	
8355-56	15	10.7	4.45	138-24	24V DC	
8355-57	15	12.5	6.25			
8355-58	10	14.3	8.05			

- Order example: 8355-56-128E left

This is an electric strike with release button (E) with faceplate height of 15 mm and an electric strike type 128 (see page K12.13.13) working on 10-24V AC/DC.

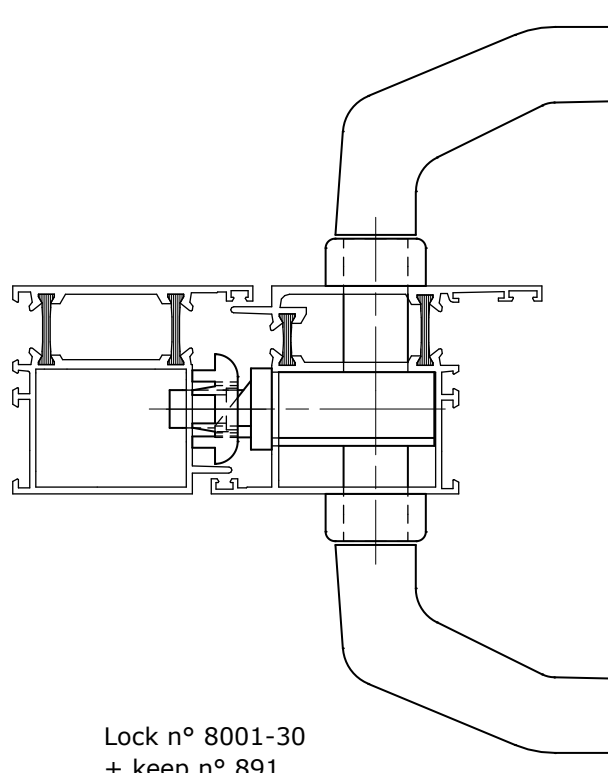


Movement of locking flap





4. Application examples



Lock n° 8001-30
+ keep n° 891

