



K14.12 STANDARD CYLINDERS

01.11.2019



STANDARD CYLINDERS

CONTENTS

1. Overview and coding	K14.12.03
2. Standard cylinders series 880	K14.12.04
2.1. Key operated n° 880-.-.-.	K14.12.04
2.2. Knob operated n° 881-.-K-.. and n° 881-.-.-K	K14.12.05
2.3. Knob operated n° 882-.-K-.. and n° 882-.-.-K	K14.12.06
2.4. Knob operated n° 883-.-K-.. and n° 883-.-.-K	K14.12.07
3. Half standard cylinders series 880	K14.12.08
3.1. Key operated n° 880-10-..	K14.12.08
3.2. Knob operated n° 881-10-..K	K14.12.08
3.3. Knob operated n° 882-10-..K	K14.12.09
3.4. Knob operated n° 883-10-..K	K14.12.09
4. Applications	K14.12.10



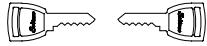

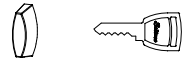
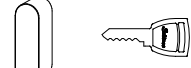
1. Overview and coding

Key operated cylinder

- Key operation on both sides of full cylinders or on 1 side of half cylinders.
- Examples:
 - N° 880-40-80
 - N° 880-10-50

Knob operated cylinder (K)

- The knob cylinders are available with knob (see table) at the shortest or the longest side.
- Examples:
 - Knob at the shortest side: n° 881-30K-45
 - Knob at the longest side: n° 881-45-60K
 - Half knob operated cylinder: n° 882-10-40K

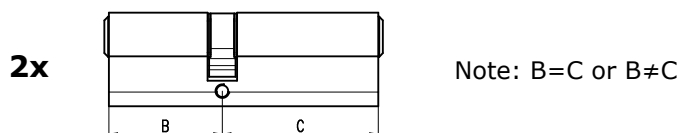
Type	Key/Knob	SKG	Ownership certificate
880		-	-
881		-	-
882		-	-
883		-	-

Knob operated cylinder with special-finish knob

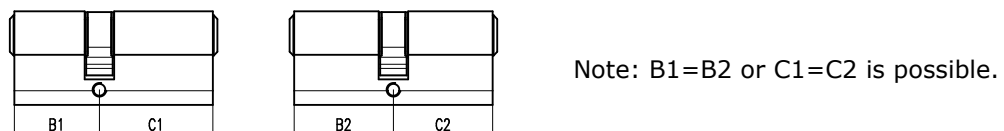
- Knob cylinders series 883 are provided with a knob with a choice of finish: aluminium anodised, stainless steel look or polyester powder coated in more than 450 RAL colours.
- Example: n° 883-30K-45

Options

- Option 'A'
 - 2 or more cylinders with the **same** dimensions can be operated with the same key.
 - Example: 2x n° 880A-40-55



- Option 'DA'
 - 2 or more cylinders with **different** dimensions can be operated with the same key.
 - Example: n° 880DA-30-40 and n° 880DA-35-35



- Option 'M'
 - Cylinder as part of a master-key plan.
 - Example: n° 880M-45-65
- Option 'KEY'
 - Additional order of a cylinder to match an existing key.
 - Example: n° 881KEY-35K-55

Keys (S)

- Keys can be duplicated by the following order code with specification of the key number:
 - Cylinders series 880: n° 880S + key number (on the key)



STANDARD CYLINDERS

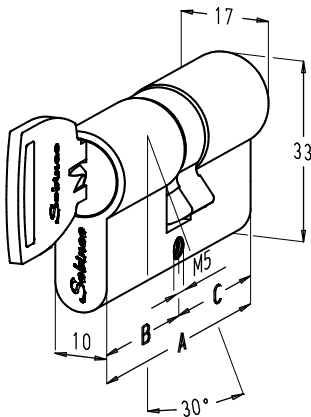
2. Standard cylinders series 880

2.1. Key operated n° 880-...-

- Cylinder and keys in brass nickel plated. The cylinder is supplied with 3 keys.
- Quantities of 2 to 50 keyed alike cylinders and combinations with different lengths and types are available.
- Delivery time on request for master key combinations and quantities of more than 100 keyed alike cylinders.
- The cylinders may only be lubricated with WD40 lubricant. Only the key may be lubricated.



Order table



Order code	A (mm)	B (mm)	C (mm)
880-30-30	60	30	30
880-30-35	65	30	35
880-30-40	70	30	40
880-30-45	75	30	45
880-30-50	80	30	50
880-30-55	85	30	55
880-30-60	90	30	60
880-30-65	95	30	65
880-30-70	100	30	70
880-30-75	105	30	75
880-30-80	110	30	80
880-30-90	120	30	90
880-35-35	70	35	35
880-35-40	75	35	40
880-35-45	80	35	45
880-35-50	85	35	50
880-35-55	90	35	55
880-35-60	95	35	60
880-35-65	100	35	65
880-35-70	105	35	70
880-35-75	110	35	75
880-35-80	115	35	80
880-35-85	120	35	85

Order code	A (mm)	B (mm)	C (mm)
880-40-40	80	40	40
880-40-45	85	40	45
880-40-50	90	40	50
880-40-55	95	40	55
880-40-60	100	40	60
880-40-65	105	40	65
880-40-70	110	40	70
880-40-75	115	40	75
880-40-80	120	40	80
880-40-85	125	40	85
880-40-90	130	40	90
880-45-45	90	45	45
880-45-50	95	45	50
880-45-55	100	45	55
880-45-60	105	45	60
880-45-65	110	45	65
880-50-50	100	50	50
880-50-55	105	50	55
880-50-60	110	50	60
880-50-65	115	50	65
880-60-60	120	60	60

Other dimensions on request



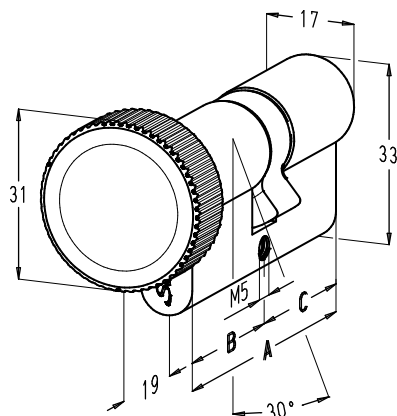
STANDARD CYLINDERS

2.2. Knob operated n° 881-..K-.. and n° 881-...-..K

- Characteristics are similar to cylinders series 880-...-... .



Order tables



With knob at the shortest side			
Order code	A (mm)	B (mm)	C (mm)
881-30K-30	60	30	30
881-30K-35	65	30	35
881-30K-40	70	30	40
881-30K-45	75	30	45
881-30K-50	80	30	50
881-30K-55	85	30	55
881-30K-60	90	30	60
881-30K-65	95	30	65
881-30K-70	100	30	70
881-30K-75	105	30	75
881-30K-80	110	30	80
881-30K-85	115	30	85
881-30K-90	120	30	90
881-35K-35	70	35	35
881-35K-40	75	35	40
881-35K-45	80	35	45
881-35K-50	85	35	50
881-35K-55	90	35	55
881-35K-60	95	35	60
881-35K-65	100	35	65
881-35K-70	105	35	70
881-35K-75	110	35	75
881-35K-80	115	35	80
881-35K-85	120	35	85
881-40K-40	80	40	40
881-40K-45	85	40	45
881-40K-50	90	40	50
881-40K-55	95	40	55
881-40K-60	100	40	60
881-40K-65	105	40	65
881-40K-70	110	40	70
881-40K-75	115	40	75
881-40K-80	120	40	80
881-40K-85	125	40	85
881-40K-90	130	40	90
881-45K-45	90	45	45
881-45K-50	95	45	50
881-45K-55	100	45	55
881-45K-60	105	45	60
881-45K-65	110	45	65
881-50K-50	100	50	50
881-50K-55	105	50	55
881-50K-60	110	50	60
881-50K-65	115	50	65
881-60K-60	120	60	60

With knob at the longest side			
Order code	A (mm)	B (mm)	C (mm)
881-30-35K	65	35	30
881-30-40K	70	40	30
881-30-45K	75	45	30
881-30-50K	80	50	30
881-30-55K	85	55	30
881-30-60K	90	60	30
881-30-65K	95	65	30
881-30-70K	100	70	30
881-30-75K	105	75	30
881-30-80K	110	80	30
881-30-85K	115	85	30
881-30-90K	120	90	30
881-35-40K	75	40	35
881-35-45K	80	45	35
881-35-50K	85	50	35
881-35-55K	90	55	35
881-35-60K	95	60	35
881-35-65K	100	65	35
881-35-70K	105	70	35
881-35-75K	110	75	35
881-35-80K	115	80	35
881-35-85K	120	85	35
881-40-45K	85	45	40
881-40-50K	90	50	40
881-40-55K	95	55	40
881-40-60K	100	60	40
881-40-65K	105	65	40
881-40-70K	110	70	40
881-40-75K	115	75	40
881-40-80K	120	80	40
881-40-85K	125	85	40
881-40-90K	130	90	40
881-45-50K	95	50	45
881-45-55K	100	55	45
881-45-60K	105	60	45
881-45-65K	110	65	45
881-50-55K	105	55	50
881-50-60K	110	60	50
881-50-65K	115	65	50

Other dimensions on request



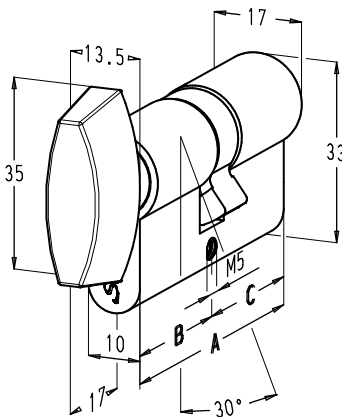
STANDARD CYLINDERS

2.3. Knob operated n° 882-..K-.. and n° 882-..-..K

- Characteristics are similar to cylinders series 880-..-.. .



Order tables



With knob at the shortest side			
Order code	A (mm)	B (mm)	C (mm)
882-30K-30	60	30	30
882-30K-35	65	30	35
882-30K-40	70	30	40
882-30K-45	75	30	45
882-30K-50	80	30	50
882-30K-55	85	30	55
882-30K-60	90	30	60
882-30K-65	95	30	65
882-30K-70	100	30	70
882-30K-75	105	30	75
882-30K-80	110	30	80
882-30K-85	115	30	85
882-30K-90	120	30	90
882-35K-35	70	35	35
882-35K-40	75	35	40
882-35K-45	80	35	45
882-35K-50	85	35	50
882-35K-55	90	35	55
882-35K-60	95	35	60
882-35K-65	100	35	65
882-35K-70	105	35	70
882-35K-75	110	35	75
882-35K-80	115	35	80
882-35K-85	120	35	85
882-40K-40	80	40	40
882-40K-45	85	40	45
882-40K-50	90	40	50
882-40K-55	95	40	55
882-40K-60	100	40	60
882-40K-65	105	40	65
882-40K-70	110	40	70
882-40K-75	115	40	75
882-40K-80	120	40	80
882-40K-85	125	40	85
882-40K-90	130	40	90
882-45K-45	90	45	45
882-45K-50	95	45	50
882-45K-55	100	45	55
882-45K-60	105	45	60
882-45K-65	110	45	65
882-50K-50	100	50	50
882-50K-55	105	50	55
882-50K-60	110	50	60
882-50K-65	115	50	65
882-60K-60	120	60	60

With knob at the longest side			
Order code	A (mm)	B (mm)	C (mm)
882-30-35K	65	35	30
882-30-40K	70	40	30
882-30-45K	75	45	30
882-30-50K	80	50	30
882-30-55K	85	55	30
882-30-60K	90	60	30
882-30-65K	95	65	30
882-30-70K	100	70	30
882-30-75K	105	75	30
882-30-80K	110	80	30
882-30-85K	115	85	30
882-30-90K	120	90	30
882-35-40K	75	40	35
882-35-45K	80	45	35
882-35-50K	85	50	35
882-35-55K	90	55	35
882-35-60K	95	60	35
882-35-65K	100	65	35
882-35-70K	105	70	35
882-35-75K	110	75	35
882-35-80K	115	80	35
882-35-85K	120	85	35
882-40-45K	85	45	40
882-40-50K	90	50	40
882-40-55K	95	55	40
882-40-60K	100	60	40
882-40-65K	105	65	40
882-40-70K	110	70	40
882-40-75K	115	75	40
882-40-80K	120	80	40
882-40-85K	125	85	40
882-40-90K	130	90	40
882-45-50K	95	50	45
882-45-55K	100	55	45
882-45-60K	105	60	45
882-45-65K	110	65	45
882-50-55K	105	55	50
882-50-60K	110	60	50
882-50-65K	115	65	50

Other dimensions on request



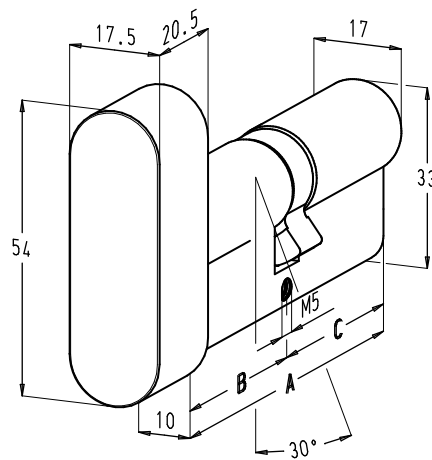
STANDARD CYLINDERS

2.4. Knob operated n° 883-..K-.. and n° 883-...-...K

- Knob operated cylinder with fixed position and coated knob.
- Characteristics are similar to cylinders series 880-...-... .
- Knob finish: aluminium anodised, stainless steel look or polyester powder coated in more than 450 RAL colours.



Order tables



With knob at the shortest side			
Order code	A (mm)	B (mm)	C (mm)
883-30K-30	60	30	30
883-30K-35	65	30	35
883-30K-40	70	30	40
883-30K-45	75	30	45
883-30K-50	80	30	50
883-30K-55	85	30	55
883-30K-60	90	30	60
883-30K-65	95	30	65
883-30K-70	100	30	70
883-30K-75	105	30	75
883-30K-80	110	30	80
883-30K-85	115	30	85
883-30K-90	120	30	90
883-35K-35	70	35	35
883-35K-40	75	35	40
883-35K-45	80	35	45
883-35K-50	85	35	50
883-35K-55	90	35	55
883-35K-60	95	35	60
883-35K-65	100	35	65
883-35K-70	105	35	70
883-35K-75	110	35	75
883-35K-80	115	35	80
883-35K-85	120	35	85
883-40K-40	80	40	40
883-40K-45	85	40	45
883-40K-50	90	40	50
883-40K-55	95	40	55
883-40K-60	100	40	60
883-40K-65	105	40	65
883-40K-70	110	40	70
883-40K-75	115	40	75
883-40K-80	120	40	80
883-40K-85	125	40	85
883-40K-90	130	40	90
883-45K-45	90	45	45
883-45K-50	95	45	50
883-45K-55	100	45	55
883-45K-60	105	45	60
883-45K-65	110	45	65
883-50K-50	100	50	50
883-50K-55	105	50	55
883-50K-60	110	50	60
883-50K-65	115	50	65
883-60K-60	120	60	60

With knob at the longest side			
Order code	A (mm)	B (mm)	C (mm)
883-30-35K	65	35	30
883-30-40K	70	40	30
883-30-45K	75	45	30
883-30-50K	80	50	30
883-30-55K	85	55	30
883-30-60K	90	60	30
883-30-65K	95	65	30
883-30-70K	100	70	30
883-30-75K	105	75	30
883-30-80K	110	80	30
883-30-85K	115	85	30
883-30-90K	120	90	30
883-35-40K	75	40	35
883-35-45K	80	45	35
883-35-50K	85	50	35
883-35-55K	90	55	35
883-35-60K	95	60	35
883-35-65K	100	65	35
883-35-70K	105	70	35
883-35-75K	110	75	35
883-35-80K	115	80	35
883-35-85K	120	85	35
883-40-45K	85	45	40
883-40-50K	90	50	40
883-40-55K	95	55	40
883-40-60K	100	60	40
883-40-65K	105	65	40
883-40-70K	110	70	40
883-40-75K	115	75	40
883-40-80K	120	80	40
883-40-85K	125	85	40
883-40-90K	130	90	40
883-45-50K	95	50	45
883-45-55K	100	55	45
883-45-60K	105	60	45
883-45-65K	110	65	45
883-50-55K	105	55	50
883-50-60K	110	60	50
883-50-65K	115	65	50

Other dimensions on request



STANDARD CYLINDERS

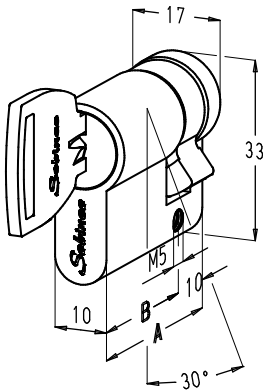
3. Half standard cylinders series 880

3.1. Key operated n° 880-10-..



• Characteristics are similar to cylinders series 880-... .

Order table



Order code	A (mm)	B (mm)
880-10-30	40	30
880-10-35	45	35
880-10-40	50	40
880-10-45	55	45
880-10-50	60	50
880-10-55	65	55
880-10-60	70	60
880-10-65	75	65
880-10-70	80	70
880-10-75	85	75
880-10-80	90	80
880-10-85	95	85
880-10-90	100	90
880-10-95	105	95
880-10-100	110	100

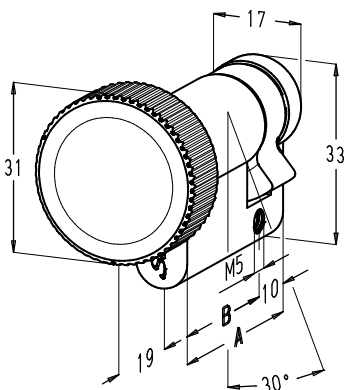
Other dimensions on request

3.2. Knob operated n° 881-10-..K



• Characteristics are similar to cylinders series 881-..K-.. and 881-...K .

Order table



Order code	A (mm)	B (mm)
881-10-30K	40	30
881-10-35K	45	35
881-10-40K	50	40
881-10-45K	55	45
881-10-50K	60	50
881-10-55K	65	55
881-10-60K	70	60
881-10-65K	75	65
881-10-70K	80	70
881-10-75K	85	75
881-10-80K	90	80
881-10-85K	95	85
881-10-90K	100	90
881-10-95K	105	95
881-10-100K	110	100

Other dimensions on request

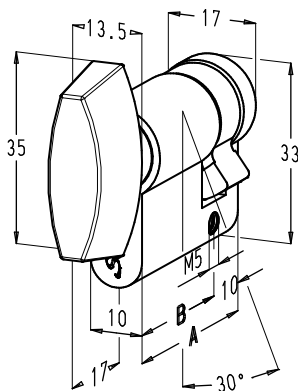


3.3. Knob operated n° 882-10-..K



- Characteristics are similar to cylinders series 882-..K-.. and 882-...K .

Order table



Order code	A (mm)	B (mm)
882-10-30K	40	30
882-10-35K	45	35
882-10-40K	50	40
882-10-45K	55	45
882-10-50K	60	50
882-10-55K	65	55
882-10-60K	70	60
882-10-65K	75	65
882-10-70K	80	70
882-10-75K	85	75
882-10-80K	90	80
882-10-85K	95	85
882-10-90K	100	90
882-10-95K	105	95
882-10-100K	110	100

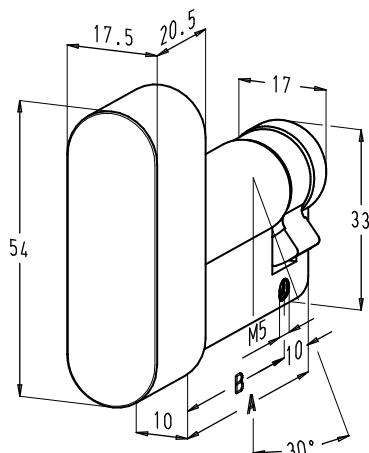
Other dimensions on request

3.4. Knob operated n° 883-10-..K



- Characteristics are similar to cylinders series 883-..K-.. and 883-...K.

Order table



Order code	A (mm)	B (mm)
883-10-30K	40	30
883-10-35K	45	35
883-10-40K	50	40
883-10-45K	55	45
883-10-50K	60	50
883-10-55K	65	55
883-10-60K	70	60
883-10-65K	75	65
883-10-70K	80	70
883-10-75K	85	75
883-10-80K	90	80
883-10-85K	95	85
883-10-90K	100	90
883-10-95K	105	95
883-10-100K	110	100

Other dimensions on request



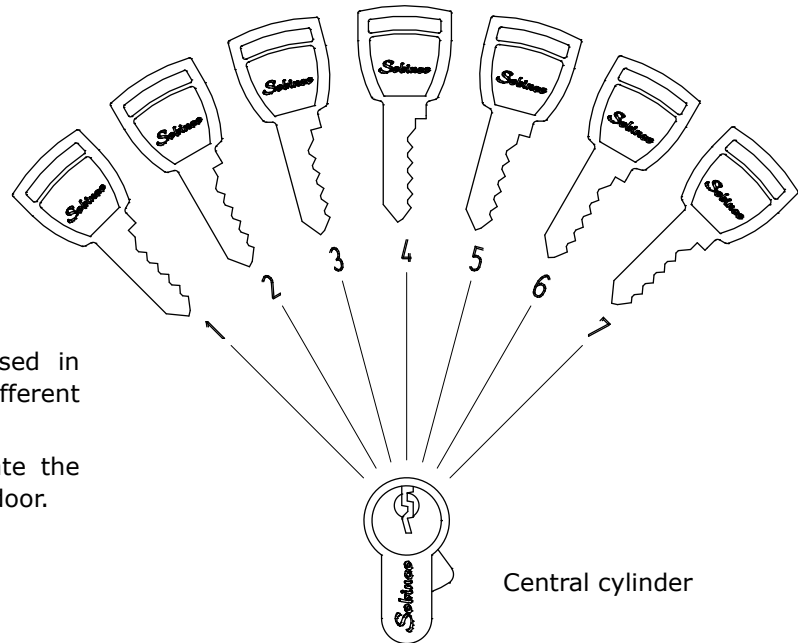
STANDARD CYLINDERS

4. Applications

- The Sobinco cylinders are available in master key combinations: central locking system, master key combination as well as grand master key combination with different groups.

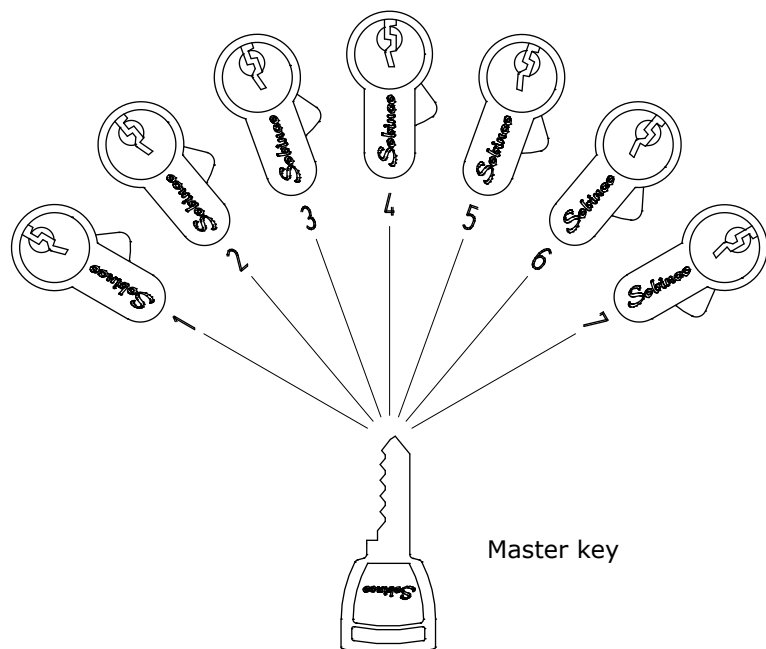
Central locking system

- For example, this combination is used in blocks of flats where all flats have different keys.
- The key of each flat can also operate the central cylinder of the main entrance door.



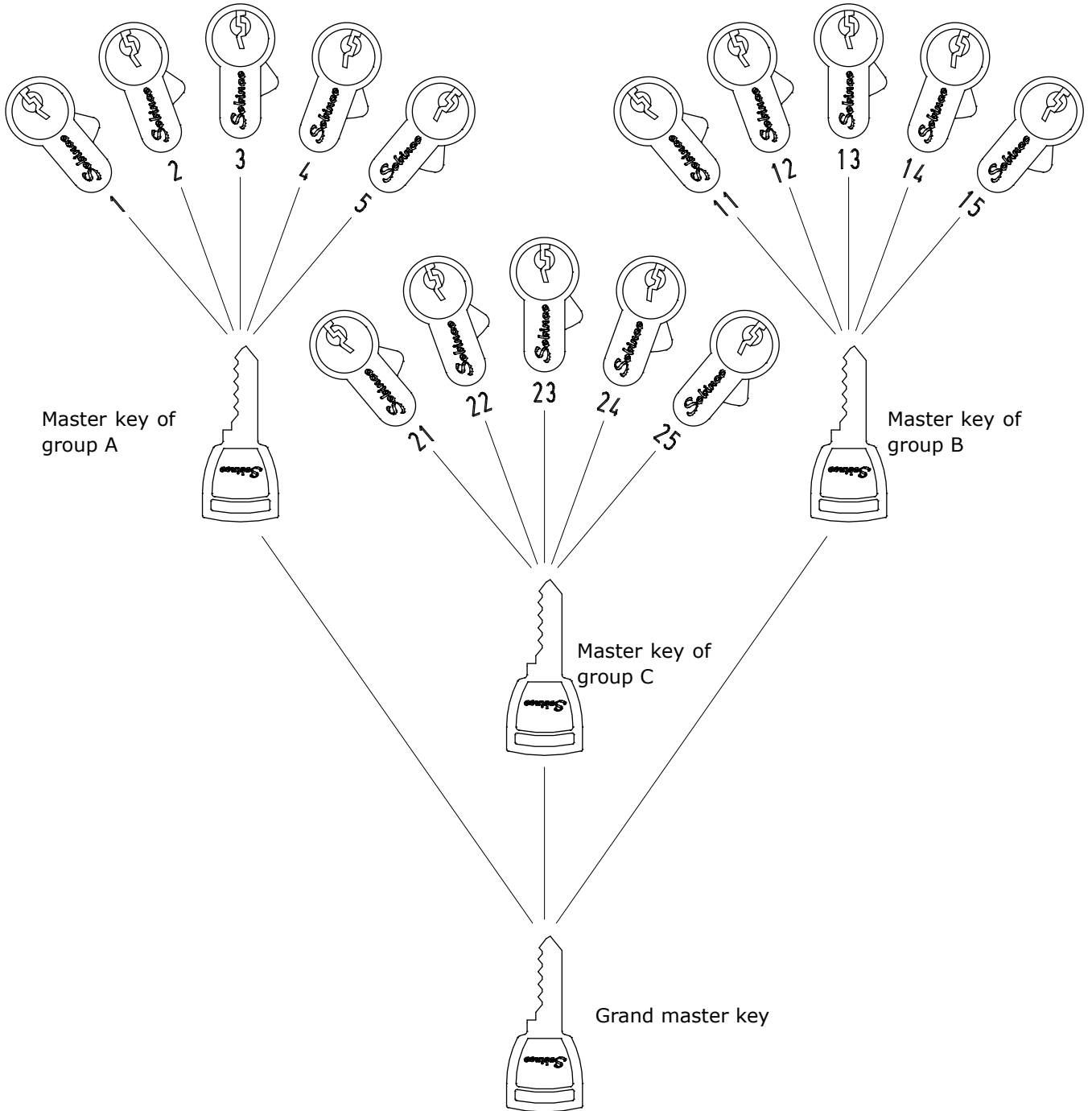
Master key combination

- Each key opens its own door only.
- The master key opens all doors.





Grand master key combination



- Each key opens its own door only.
- Each master key opens all doors of its own group.
- The grand master key opens all doors.

