



DOORS



K17.13
DOOR STAYS

01.11.2019



DOOR STAYS

CONTENTS

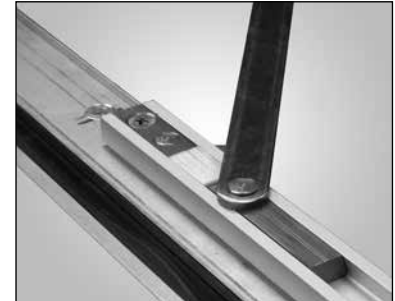
1. Door stays n° 684(C)-500.....	K17.13.03
1.1. General characteristics	K17.13.03
1.2. Installation dimensions	K17.13.04
1.3. Minimum vent width	K17.13.05
2. Door stays series 681-.....	K17.13.06
2.1. General characteristics	K17.13.06
2.2. Cross sections with critical dimensions	K17.13.06
3. Detachable door stays series 682-..	K17.13.07
3.1. General characteristics	K17.13.07
3.2. Cross sections with critical dimensions	K17.13.08
4. Door stay SR16BAC	K17.13.08
5. Application examples.....	K17.13.08



1. Door stays n° 684(C)-500

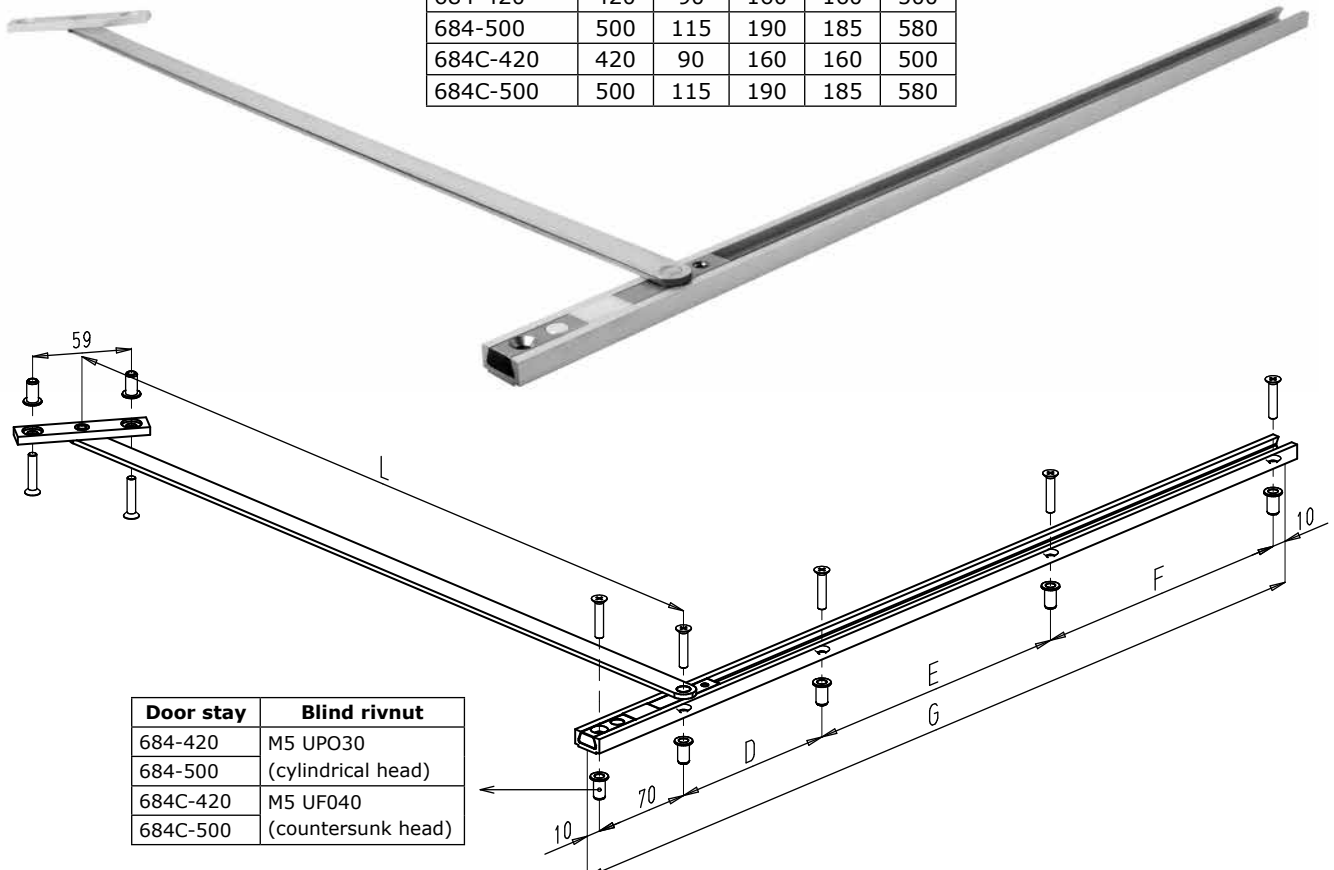
1.1. General characteristics

- Reinforced, concealed door stay with high impact resistance. Tested in accordance with the European standard EN 13126-5, impact test class 4.
- High durability: > 100.000 cycles.
- Reinforced end position stop, provided with a self-lubricating buffer in synthetic material.
- Each door stay can be applied to:
 - open in and open out doors
 - flush doors and rebated doors
- Types (see next page):
 - n° 684-420 and -500: rebated doors
 - n° 684C-420 and -500: flush doors
- Solid fixing of frame and vent part by blind rivnuts M5 and screws DIN 965 M5x25. The rivnuts and screws are included.
- Fabricated from stainless steel materials:
 - arm and rivets: stainless steel
 - frame fixing plate:
 - n° 684-420 and -500: aluminium
 - n° 684C-420 and -500: stainless steel
 - vent track: aluminium, natural anodised
 - end position stop and slider: stainless steel
 - buffer: synthetic material



End position stop

Order code	L	D	E	F	G
684-420	420	90	160	160	500
684-500	500	115	190	185	580
684C-420	420	90	160	160	500
684C-500	500	115	190	185	580





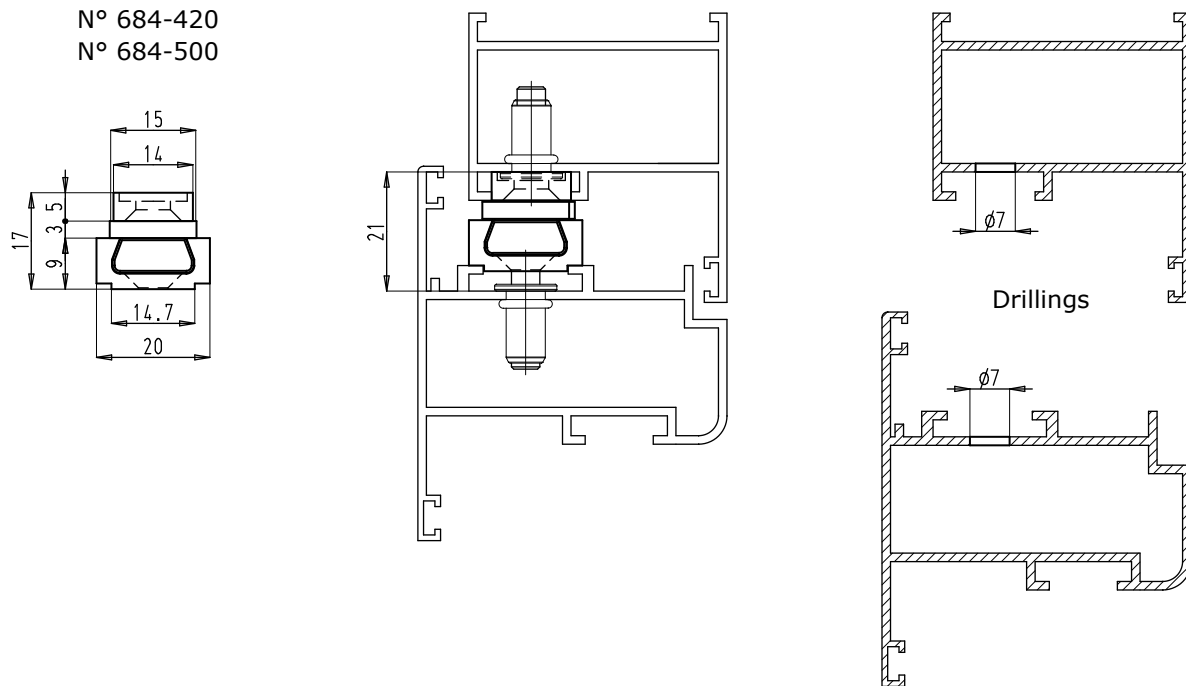
DOOR STAYS

1.2. Installation dimensions

- Installation with the supplied blind rivnuts M5 and screws DIN 965 M5x25 is required.

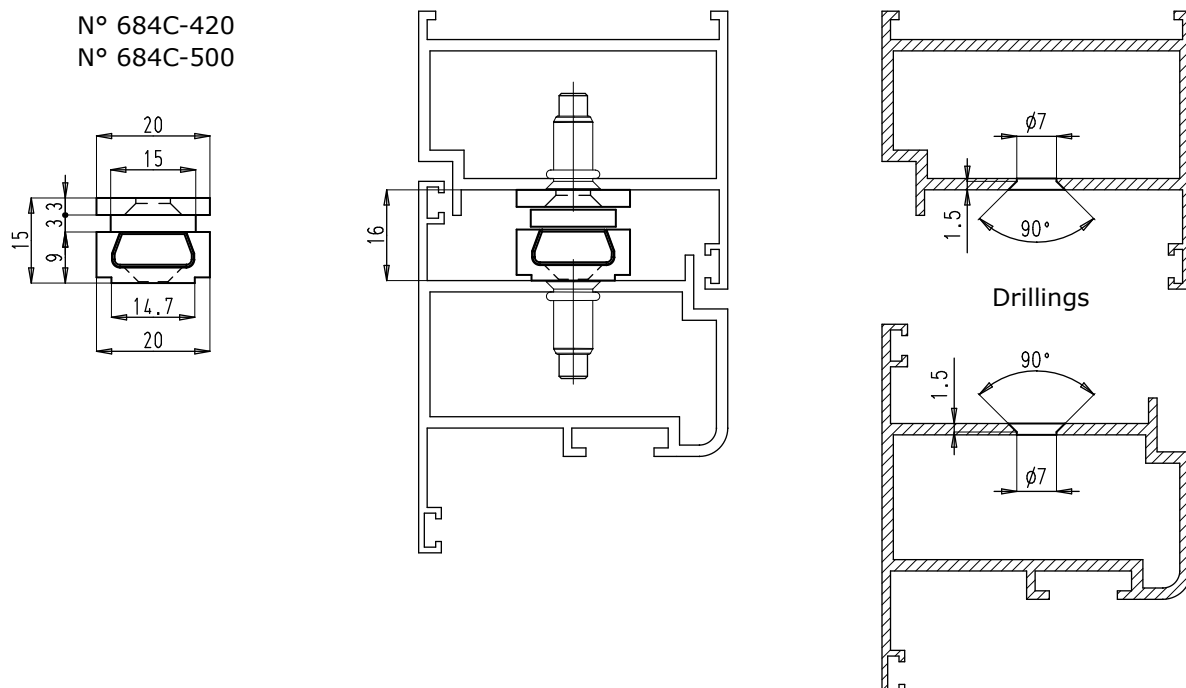
Rebated door

- With eurogroove with vent groove 15/20 mm and frame groove 14/18 mm.



Flush door

- Without eurogroove.
- Inside gap: 15-18 mm.





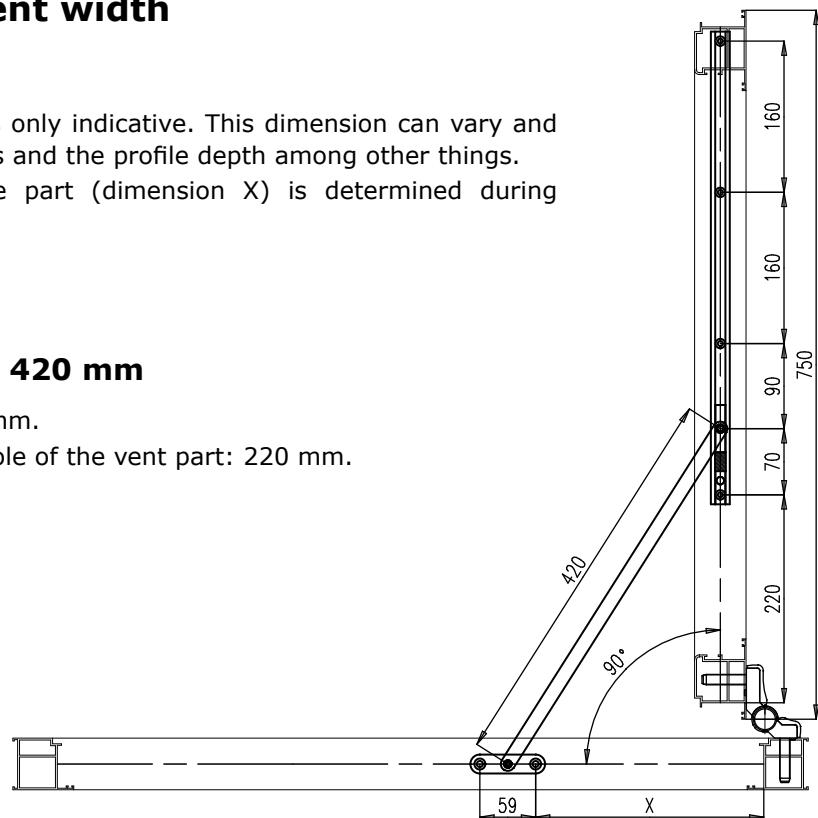
1.3. Minimum vent width

General

- The minimum vent width is only indicative. This dimension can vary and depends on the used hinges and the profile depth among other things.
- The position of the frame part (dimension X) is determined during installation.
- Opening angle 90°.

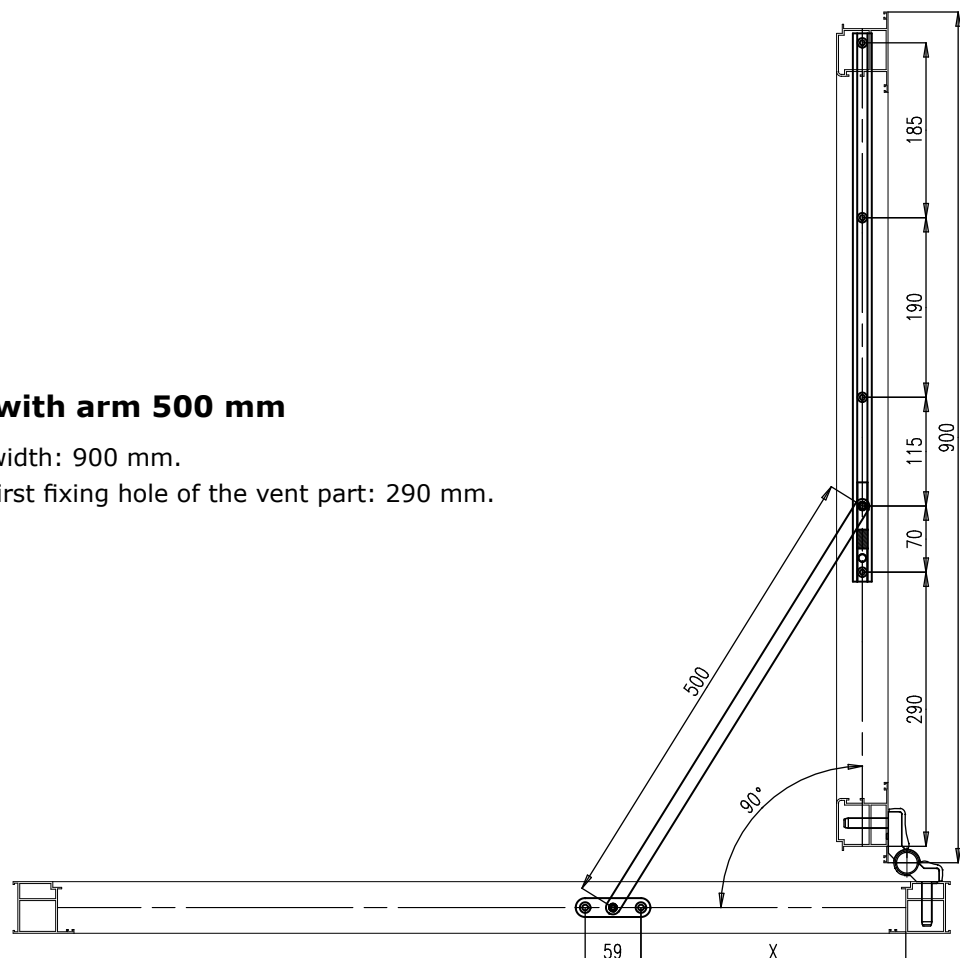
Door stays with arm 420 mm

- Minimum vent width: 750 mm.
- Position of the first fixing hole of the vent part: 220 mm.



Door stays with arm 500 mm

- Minimum vent width: 900 mm.
- Position of the first fixing hole of the vent part: 290 mm.

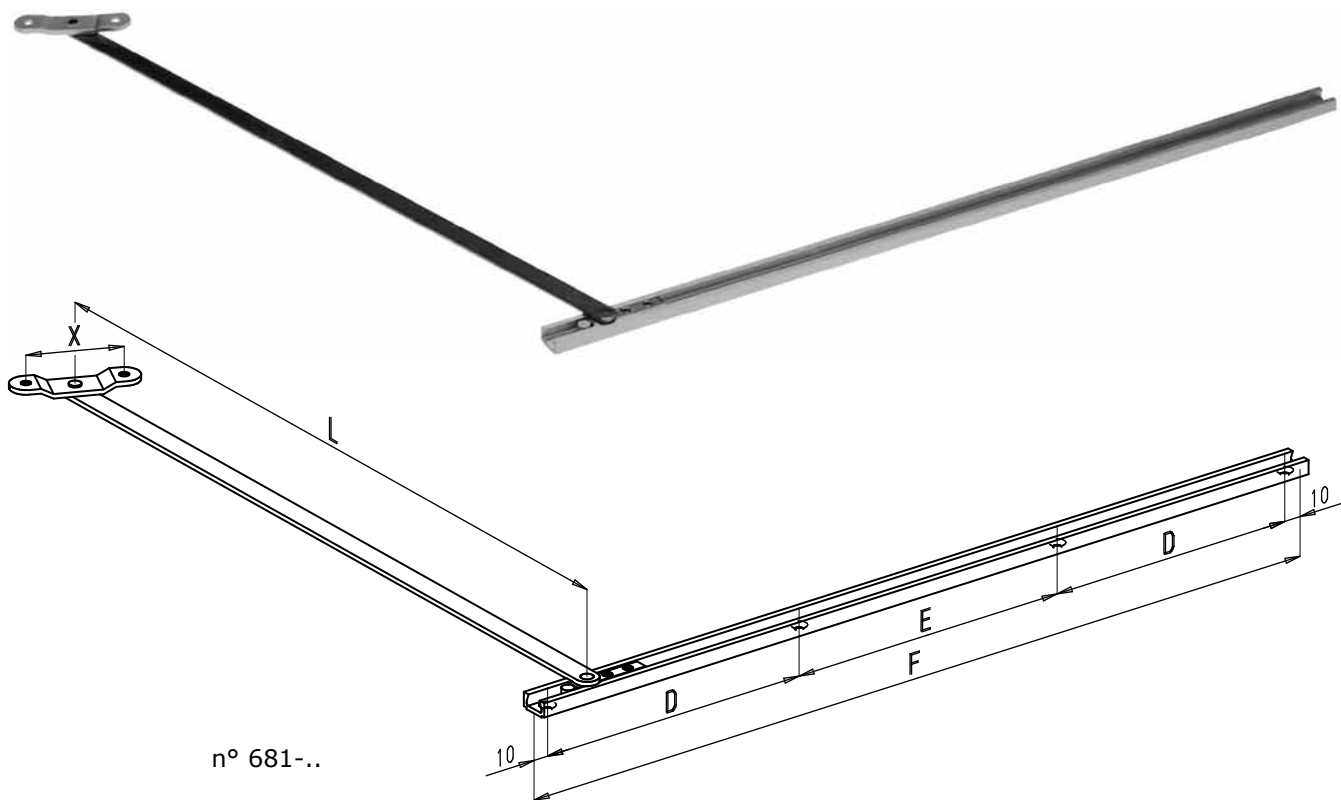
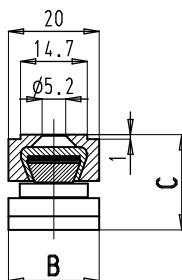




DOOR STAYS

2. Door stays series 681-..**2.1. General characteristics**

- The door stays have an incorporated adjustable friction.
- All door stays are suitable for open in and open out doors.
- Finish:
 - arm and rivets in stainless steel;
 - frame fixing plate in aluminium or stainless steel;
 - vent track in natural anodised aluminium;
 - friction pad in plastic;
 - friction adjusting plate in zinc alloy.

**2.2. Cross sections with critical dimensions**

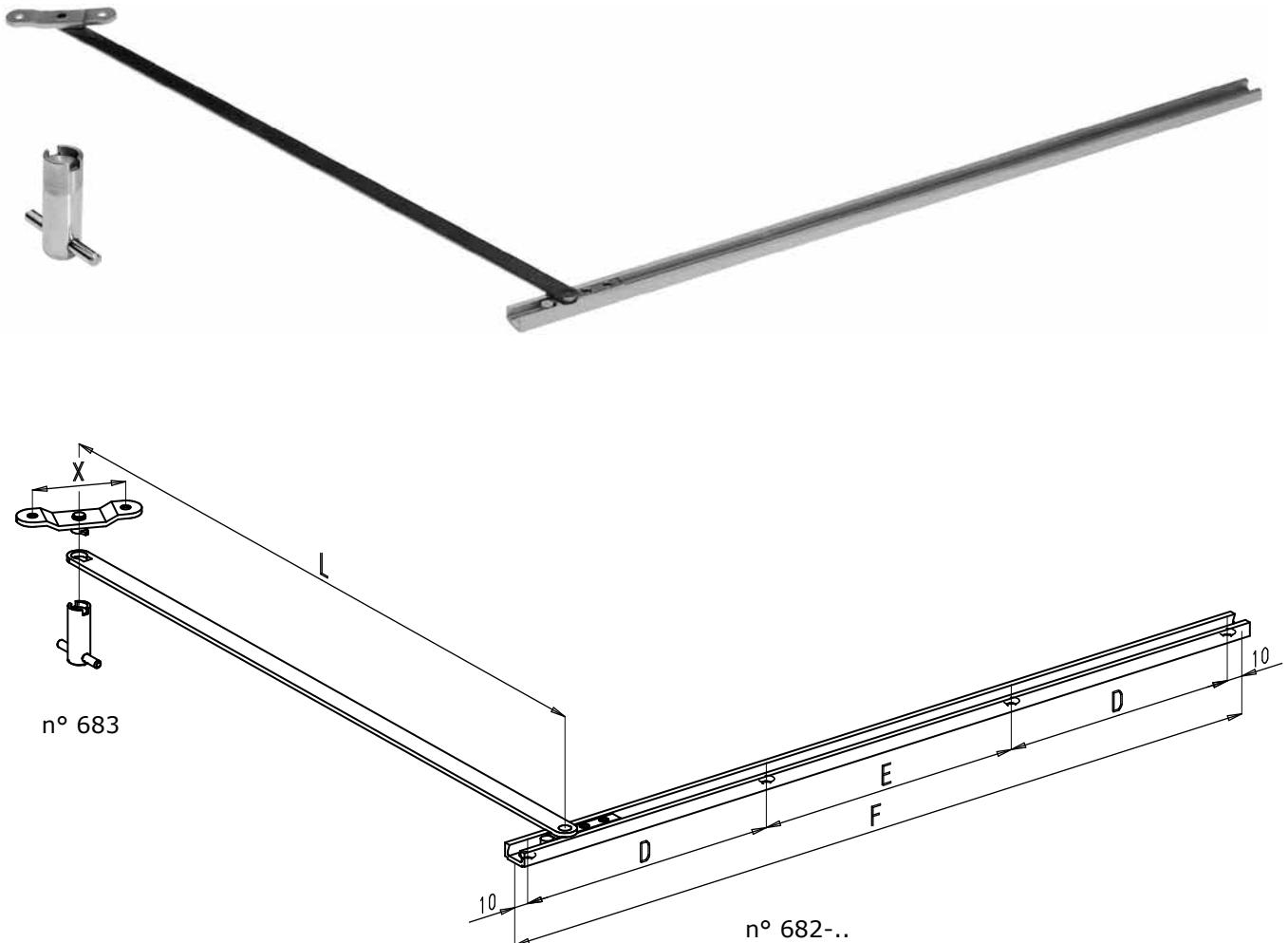
Order code	B	C	L	X	D	E	F
681-420	20	20	420	59	160	160	500
681-420-23	20	22.5	420	56	160	160	500
681-420-30	20	29.5	420	56	160	160	500
681-500	20	20	500	59	185	190	580
681C-420	20	16	420	58	160	160	500
681C-500	20	16	500	58	185	190	580
681-12-320	12	18	320	59	190	0	400
681-12-420	12	18	420	59	160	160	500
681-12-500	12	18	500	59	185	190	580
681-12C-420	12	16	420	58	160	160	500
681-12C-500	12	16	500	58	185	190	580



3. Detachable door stays series 682-..

3.1. General characteristics

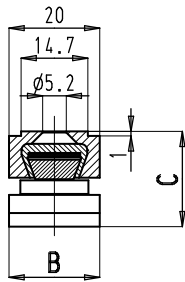
- The door stays series 682-.. have a detachable arm. By turning the rivet on the frame part with key n° 683, the arm can be released to open the door completely.
- The door stays have an incorporated adjustable friction.
- All door stays are suitable for open in and open out doors.
- Finish:
 - arm and rivets in stainless steel;
 - frame fixing plate in aluminium or stainless steel;
 - vent track in natural anodised aluminium;
 - friction pad in plastic;
 - friction adjusting plate in zinc alloy;
 - key n° 683 in stainless steel.





DOOR STAYS

3.2. Cross sections with critical dimensions



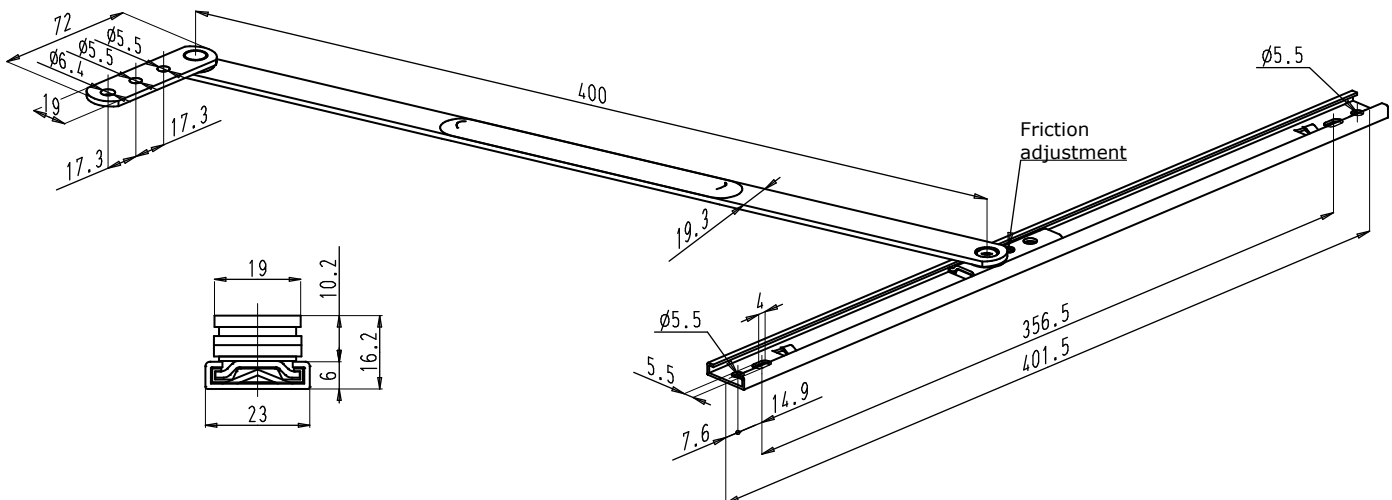
Order code	B	C	L	X	D	E	F
682-420	20	20	420	59	160	160	500
682-420-23	20	22.5	420	56	160	160	500
682-420-30	20	29.5	420	56	160	160	500
682-500	20	20	500	59	185	190	580
682C-420	20	16	420	58	160	160	500
682C-500	20	16	500	58	185	190	580
682-12-320	12	18	320	59	190	0	400
682-12-420	12	18	420	59	160	160	500
682-12-500	12	18	500	59	185	190	580

4. Door stay SR16BAC

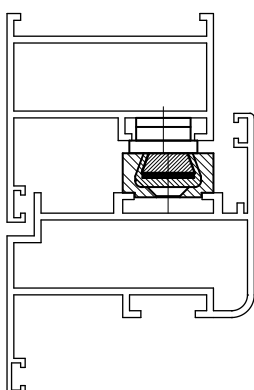
- The door stay has an incorporated adjustable friction and it is suitable for open in and open out doors.
- The length of the arm is 400 mm.
- Finish: stainless steel, friction pad in plastic.
- The door stay is tested in accordance with the European standard EN 13126-5:2012 and obtained the following classification code:

Category of use	Durability	Mass	Fire resistance	Safety in use	Corrosion resistance	Security	Application part	Test sizes
-	200.000*	100	0	2/1	4	-	5/4	2300x1200

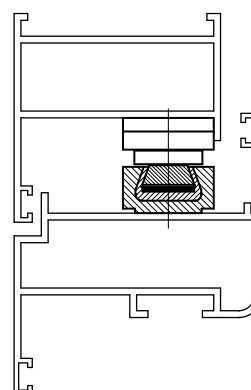
* Not in accordance with EN 13126-5: higher amount of cycles with an opening limitation of 90°.



5. Application examples



Door stay
n° 681-12-500



Door stay
n° 681-500