



---

**SLIDING DOORS**

---



**L11.13**  
**HOOK LOCKS**

01.06.2019



---

HOOK LOCKS

---

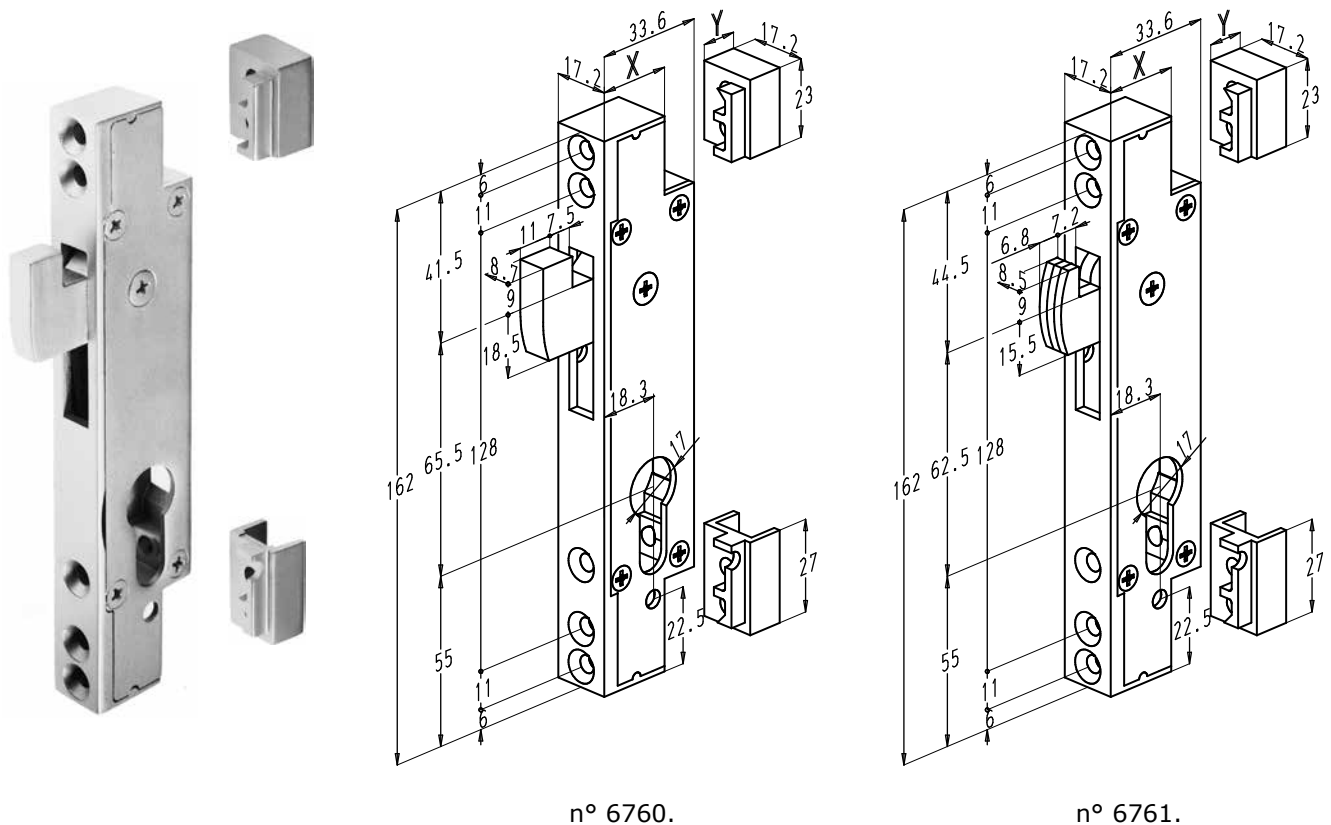
**CONTENTS**

<b>1. Hook locks n° 6760 and n° 6761</b> .....	L11.13.03
1.1. Hook lock	L11.13.03
1.2. Hook keeps	L11.13.04
<b>2. Hook lock n° 8027 and n° 8028</b> .....	L11.13.05
2.1. Hook lock	L11.13.05
2.2. Hook keeps	L11.13.06
<b>3. Round handles</b> .....	L11.13.07
3.1. With cylinder opening n° 6750	L11.13.07
3.2. Without cylinder opening n° 6751	L11.13.08
3.3. With symmetric fixing legs n° 6752	L11.13.09
<b>4. Edge finger pulls</b> .....	L11.13.10
<b>5. Horizon finger pulls</b> .....	L11.13.11
<b>6. Fixed finger pull n° 6731D</b> .....	L11.13.12
<b>7. Fixed handles</b> .....	L11.13.13
7.1. Fixed handle n° 663	L11.13.13
7.2. Fixed handle n° 660	L11.13.14



## 1. Hook locks n° 6760 and n° 6761

### 1.1. Hook lock



n° 6760.

n° 6761.

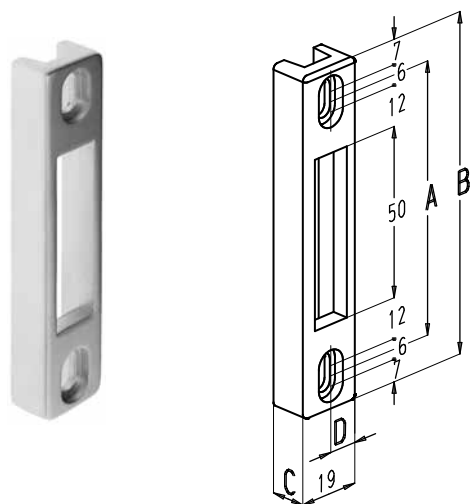
Order code	X (mm)	Y (mm)	Order code
6760A	22.6	0	6761A
6760B	22.6	5.5	6761B
6760C	22.6	11	6761C
6760D	13	0	6761D
6760E	8.5	0	6761E

- The hook locks n° 6760 and n° 6761 are compact, yet very solid and safe against burglary.
- The upwards pivoting night bolt prevents the lifting up of the door and thereby the opening of the sliding door in locked position. The installation of an additional packer between the door and frame, to prevent forced entry, is no longer necessary.
- This narrow lock with a width of only 17.2 mm is suitable in most of the sliding door sections.
- The hook lock is designed to provide a quick and simple installation in U-channel vent sections.
- The hook lock forms an ideal combination with the round handles n° 6750 and n° 6750 VI.
- Finish:
  - Lockcase : zinc alloy, silver grey painted.
  - Night bolt : hook lock 6760: zinc alloy, zinc plated.  
hook lock 6761: stainless steel.

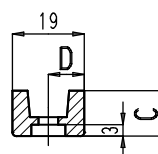


HOOK LOCKS

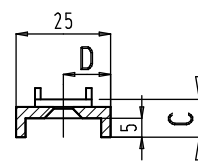
1.2. Hook keeps



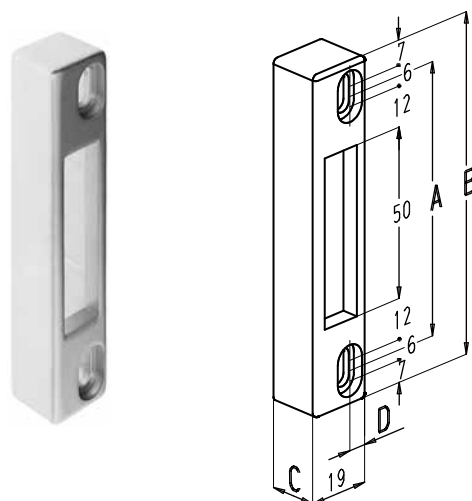
Order code	A (mm)	B (mm)	C (mm)	D (mm)
6860-1	80	100	12	9.5
6860-3	90	110	10	12.5
6860-5	80	100	21.5	9.5
6860-9	80	100	15.7	9.5



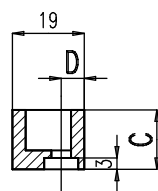
n° 6860-1  
n° 6860-5  
n° 6860-9



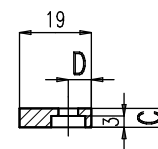
n° 6860-3



Order code	A (mm)	B (mm)	C (mm)	D (mm)
6860-2	80	100	15.7	6
6860-6	80	100	13	6
6860-7	80	100	5	6

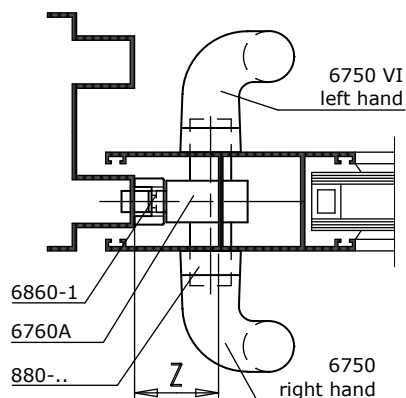


n° 6860-2  
n° 6860-6



n° 6860-7

- Hook keeps in zinc alloy, silver grey painted.
- The hook keeps are non-handed.
- Hook keep selection: see table below.

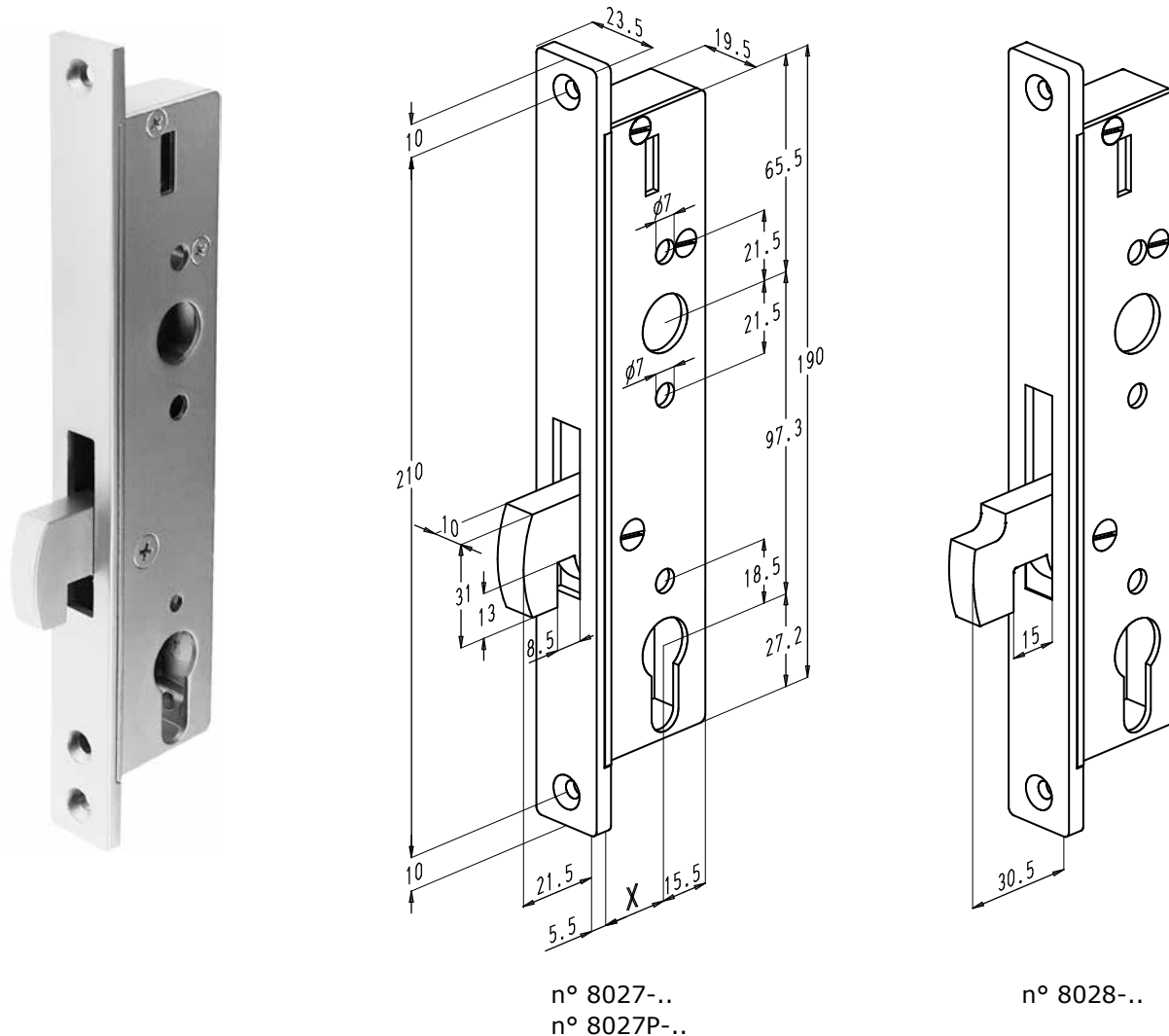


Hook keep	Inside gap Z (mm)				
<b>6860-1</b>	36	41.5	47	26.5	22
<b>6860-2</b>	40	45.5	51	30.5	26
<b>6860-3</b>	34	39.5	45	24.5	10
<b>6860-5</b>	45.5	51	56.5	36	31.5
<b>6860-6</b>	37	42.5	48	27.5	23
<b>6860-7</b>	29	34.5	40	19.5	15
<b>6860-9</b>	40	45.5	51	30.5	26
<b>Hook lock</b>	<b>6760A</b>	<b>6760B</b>	<b>6760C</b>	<b>6760D</b>	<b>6760E</b>
	<b>6761A</b>	<b>6761B</b>	<b>6761C</b>	<b>6761D</b>	<b>6761E</b>



## 2. Hook lock n° 8027 and n° 8028

### 2.1. Hook lock



n° 8027-..  
n° 8027P-..

n° 8028-..

- Very solid hook lock which offers high security against burglary.
- Available with armoured night bolt ('P' type): the night bolt is equipped with an invisible nitrated steel roller, making it impossible to saw through the bolt.
- Finish:
  - Lockcase: zinc alloy, silver grey painted.
  - Night bolt: zinc alloy, zinc plated.

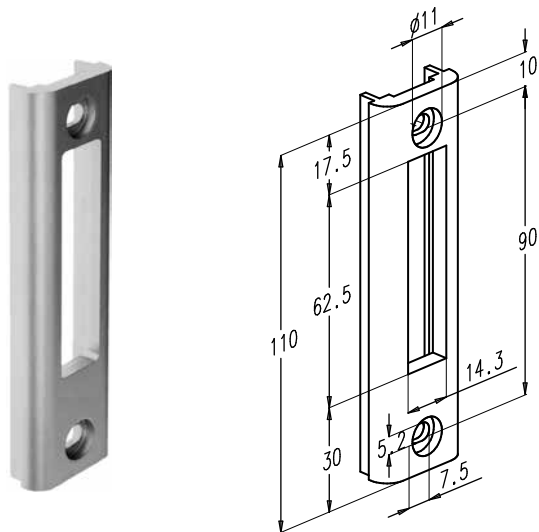
Order code	Backset X (mm)
8027-25	22.5
8027-30	27.5
8027-35	32.5
8027P-25	22.5
8027P-30	27.5
8027P-35	32.5

Order code	Backset X (mm)
8028-25	22.5
8028-30	27.5
8028-35	32.5

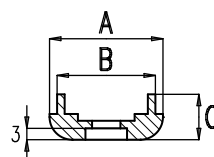


## HOOK LOCKS

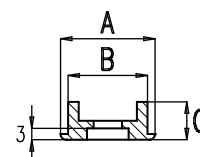
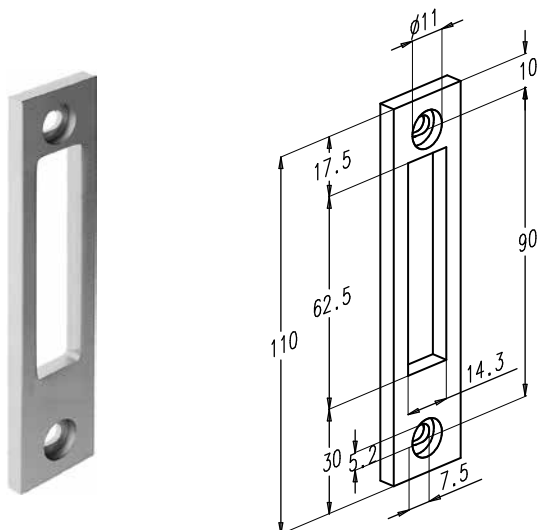
## 2.2. Hook keeps



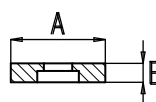
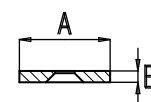
Order code	A (mm)	B (mm)	C (mm)
893K-2	30	26	12
894K-2	25	21	10
895K-2	25	21	8.7



n° 893K-2

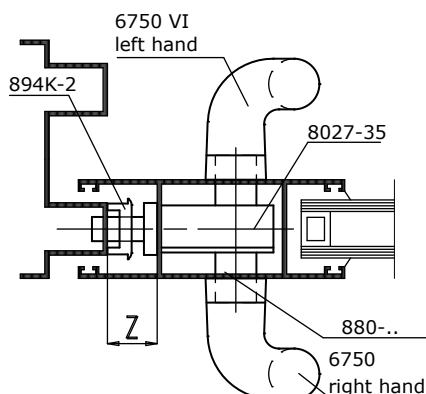
n° 894K-2  
n° 895K-2

Order code	A (mm)	B (mm)
896K-2	25	5
896BK-2	22	5
896CK-2	20	5
897K-2	24	3
898K-2	30	6
898BK-2	30	6
898CK-2	29	6

n° 896K-2  
n° 898K-2

n° 897K-2

- Hook keeps in aluminium anodised or polyester powder coated in more than 450 RAL colours, except hook keep n° 897K-2 in stainless steel.
- All hook keeps are adjustable in width, except hook keep n° 897K-2.
- Hook keep n° 898BK-2 is supplied with 2 washers  $\varnothing 10 \times 5$ .
- The hook keeps are non-handed.
- Hook keep selection: see table below.

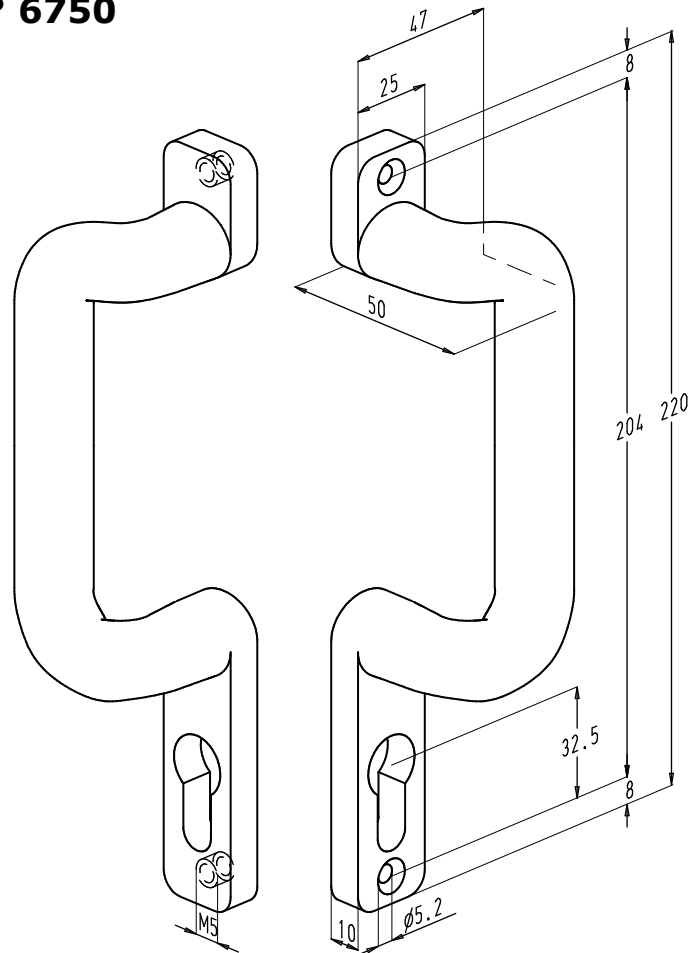


Hook keep	Inside gap Z (mm)	
893K-2	20	26.5
894K-2	18.5	24.5
895K-2	16.5	23
896...-2	13	19.5
897K-2	13	19.5
898...-2	13	19.5
Hook lock	8027	8028



### 3. Round handles

#### 3.1. With cylinder opening n° 6750

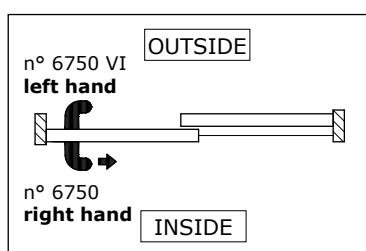


n° 6750 VI

n° 6750

left hand = illustrated  
right hand = opposite view

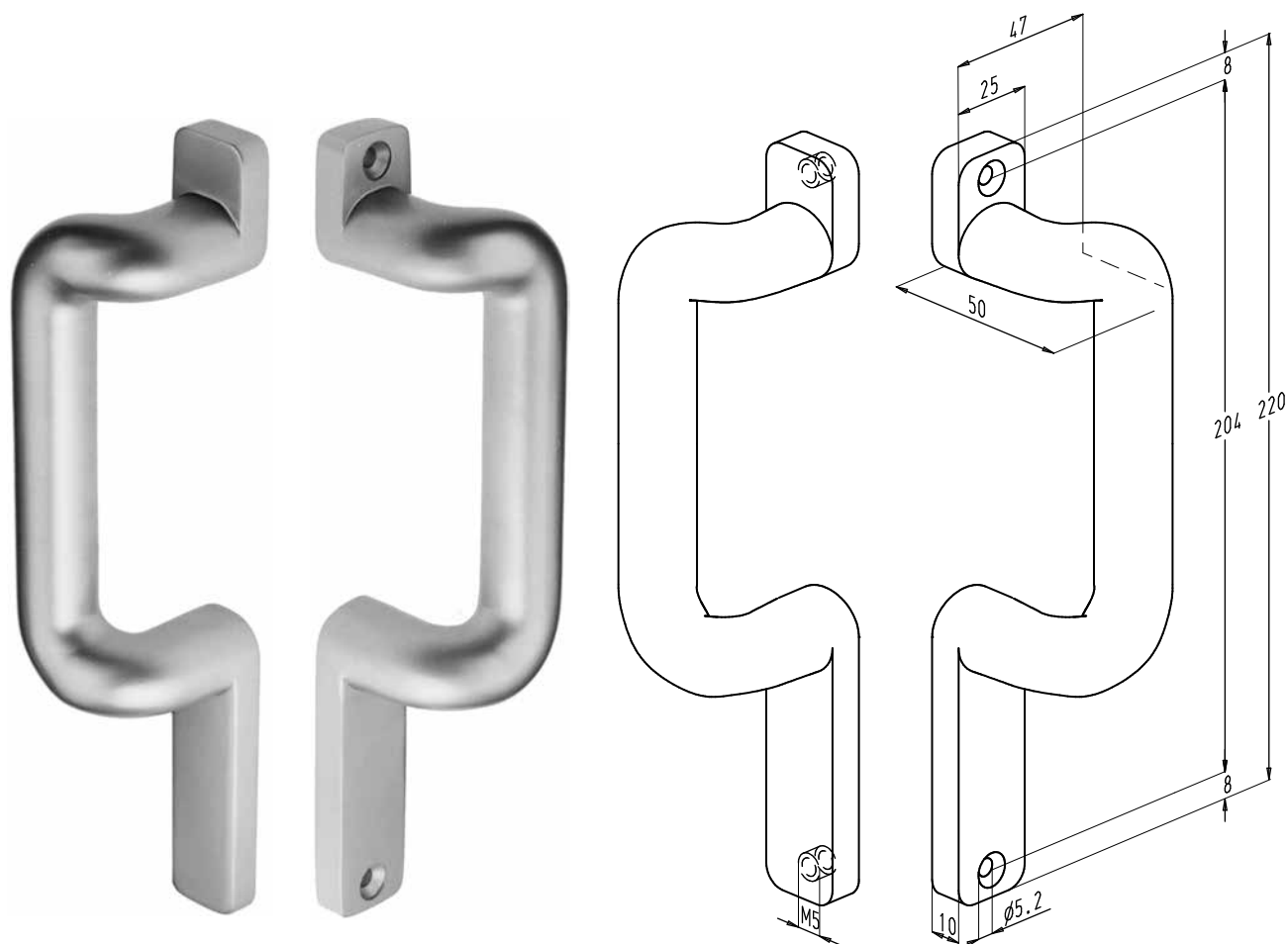
right hand = illustrated  
left hand = opposite view



- The round handle n° 6750 with cylinder opening and visible fixing is mounted on the inside of the sliding door. The round handle n° 6750 VI with cylinder opening and invisible fixing is placed at the outside. Both are screwed together from the inside.
- The round handles n° 6750 and n° 6750 VI are generally used in combination with the hook locks n° 6760 and n° 6761 or with the hook locks n° 8027-.. and n° 8028-.. .
- The round handle inside n° 6750 is also used in combination with finger pull outside n° 6731D (see page L11.13.12). Both are screwed together from the inside.
- Finish: aluminium, always polyester powder coated in more than 450 RAL colours.
- When ordering please indicate quantity of left hand and right hand handles.



## HOOK LOCKS

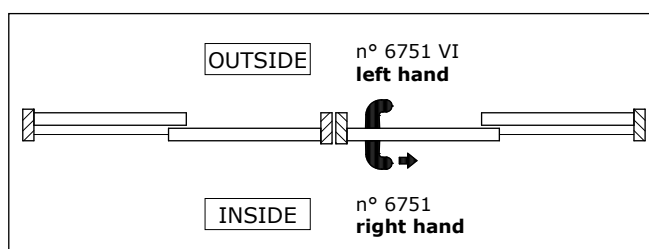
**3.2. Without cylinder opening n° 6751**

n° 6751 VI

n° 6751

left hand = illustrated  
right hand = opposite view

right hand = illustrated  
left hand = opposite view

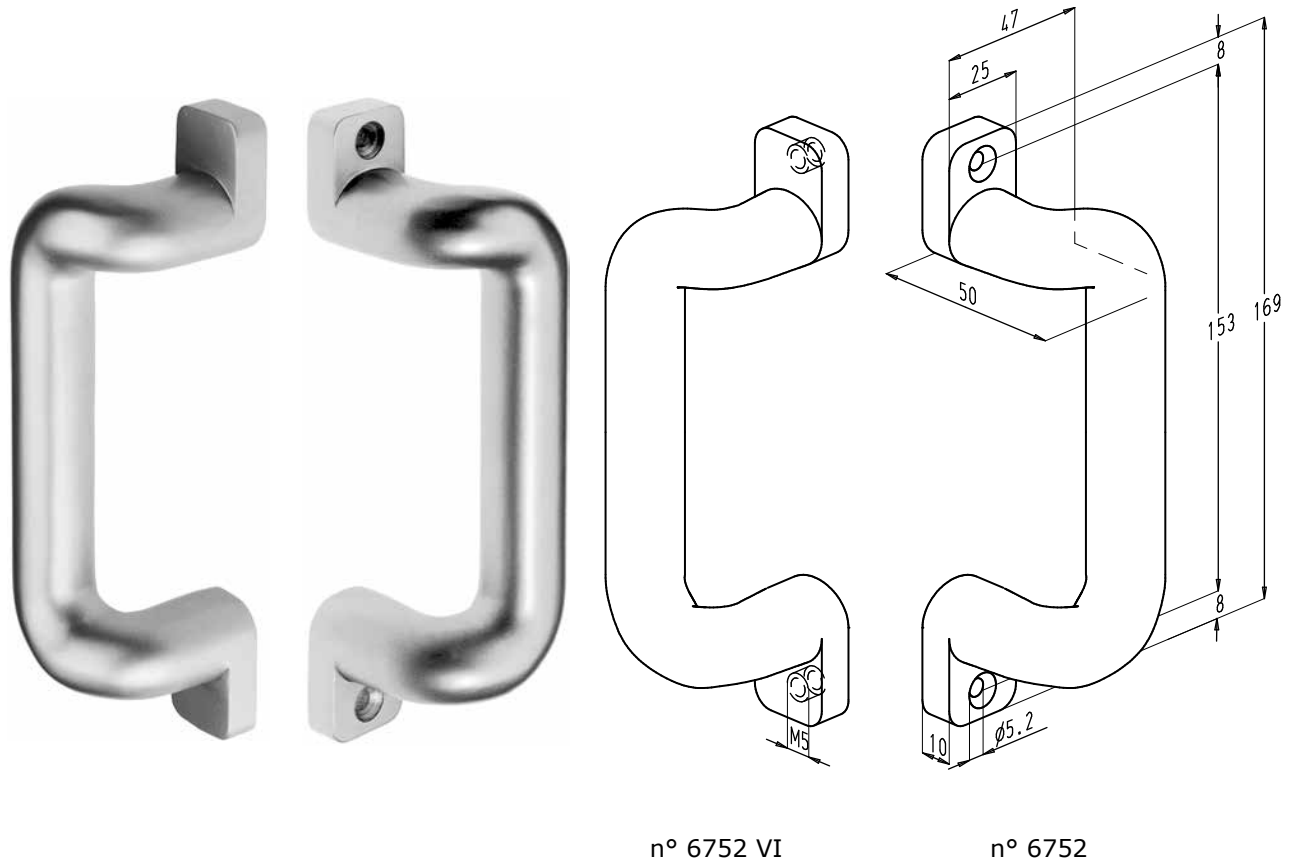


- The round handle n° 6751 without cylinder opening and with visible fixing is mounted on the inside of the sliding door. The round handle n° 6751 VI without cylinder opening and with invisible fixing is placed at the outside. Both are screwed together from the inside.
- The round handle inside n° 6751 is also used in combination with finger pull outside n° 6731D (see page L11.13.12). Both are screwed together from the inside.
- Finish: aluminium, always polyester powder coated in more than 450 RAL colours.
- When ordering please indicate quantity of left hand and right hand handles.





### 3.3. With symmetric fixing legs n° 6752

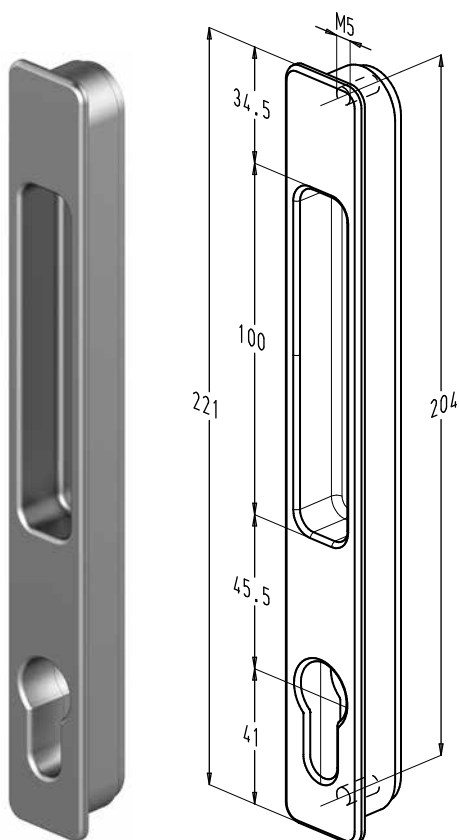


- The round handle n° 6752 with symmetric fixing legs and visible fixing is mounted on the inside of the sliding door. The round handle n° 6752 VI with symmetric fixing legs and invisible fixing legs is placed at the outside. Both are screwed together from the inside.
- Finish: aluminium, always polyester powder coated in more than 450 RAL colours.
- The handles are non-handed.

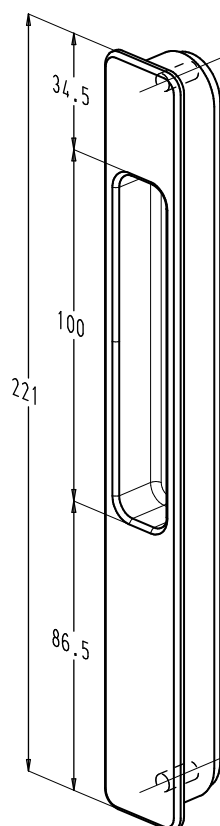


## HOOK LOCKS

### 4. Edge finger pulls

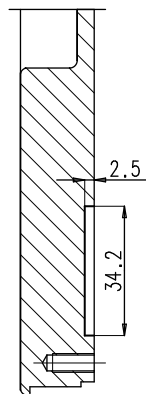


n° 82690L VI  
n° 82691L VI

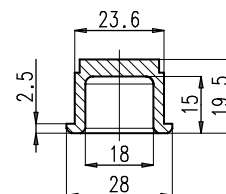


n° 82691CL VI

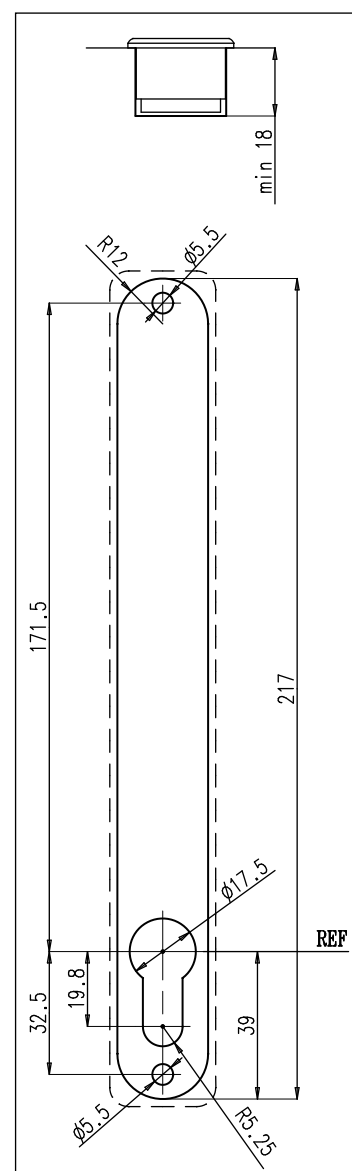
Clearance cavity for half cylinder.



Cross section of the grip.

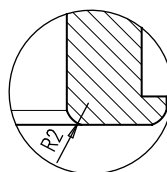


Profile preparations

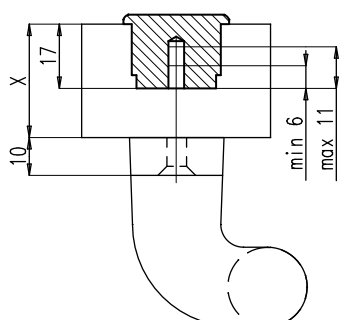
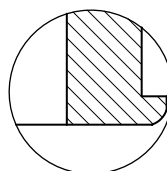


- The finger pulls are developed for the cylinder operated BT-Lock and hook locks 6760 and 6761.
- The finger pulls with ergonomic grip are mounted to the outside and are provided with invisible fixing holes.
- The finger pulls are used with handles n° 6750 and n° 6751 on the inside.
- Available with or without cylinder opening. Finger pull n° 82690L VI is provided with a cylinder opening with radius for a neater installation of the cylinder.
- Finish: aluminium, anodised or polyester powder coated in more than 450 RAL colours.
- The finger pull and handle are fixed to each other with screws DIN 965 M5 x length.

n° 82690L VI



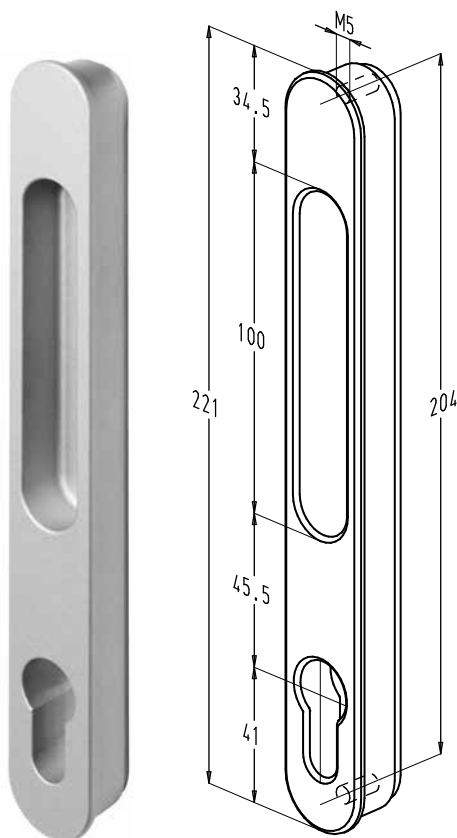
n° 82691L VI



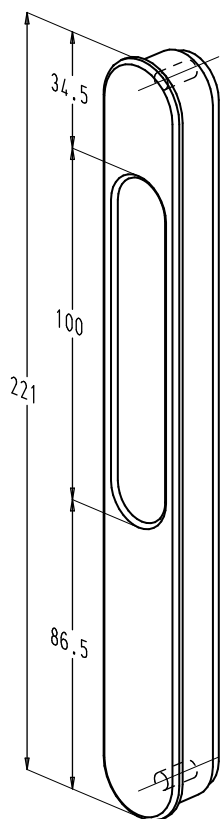
Profile depth X	Screw length
46-51 mm	50 mm
51-56 mm	55 mm
56-61 mm	60 mm
61-66 mm	65 mm
66-71 mm	70 mm
71-76 mm	75 mm
76-81 mm	80 mm
81-86 mm	85 mm
86-91 mm	90 mm



## 5. Horizon finger pulls

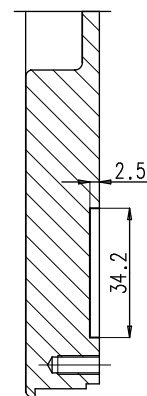


n° 82090L VI  
n° 82091L VI

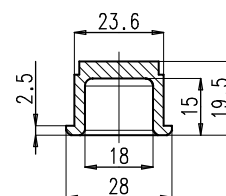


n° 82091CL VI

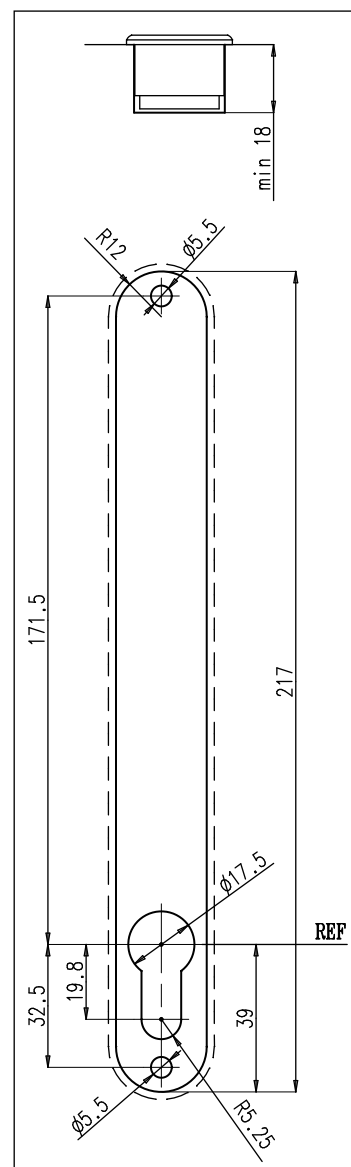
Clearance cavity for half cylinder.



Cross section of the grip.

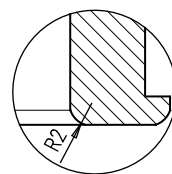


Profile preparations

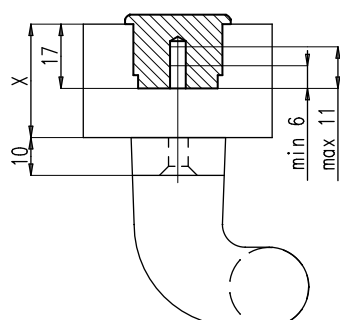
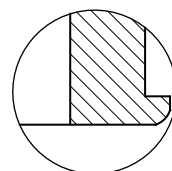


- The finger pulls are developed for the cylinder operated BT-Lock and hook locks 6760 and 6761.
- The finger pulls with ergonomic grip are mounted to the outside and are provided with invisible fixing holes.
- The finger pulls are used with handles n° 6750 and n° 6751 on the inside.
- Available with or without cylinder opening. Finger pull n° 82090L VI is provided with a cylinder opening with radius for a neater installation of the cylinder.
- Finish: aluminium, anodised or polyester powder coated in more than 450 RAL colours.
- The finger pull and handle are fixed to each other with screws DIN 965 M5 x length.

n° 82090L VI



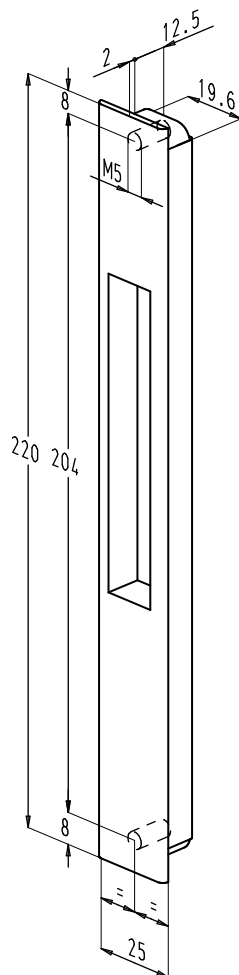
n° 82091L VI



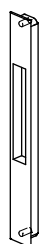
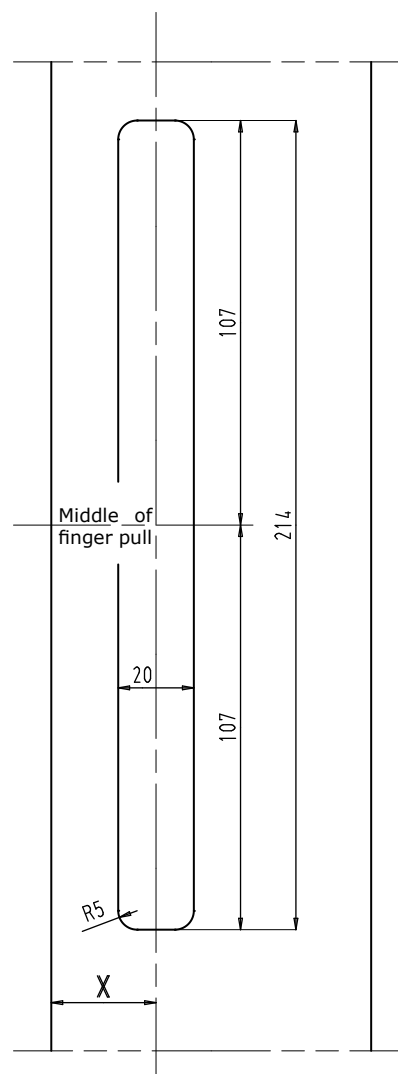
Profile depth X	Screw length
46-51 mm	50 mm
51-56 mm	55 mm
56-61 mm	60 mm
61-66 mm	65 mm
66-71 mm	70 mm
71-76 mm	75 mm
76-81 mm	80 mm
81-86 mm	85 mm
86-91 mm	90 mm



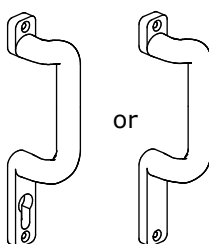
## HOOK LOCKS

**6. Fixed finger pull n° 6731D**

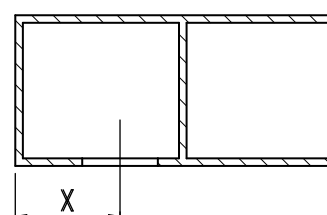
n° 6731D



In combination with



or



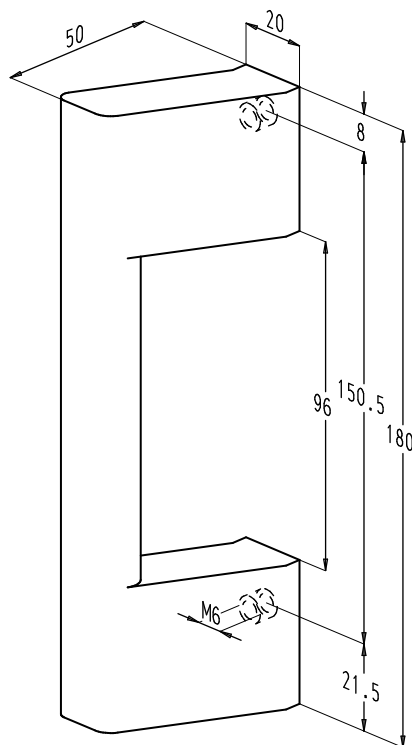
cut-out

- Fixed finger pull outside n° 6731D with invisible fixing is used exclusively in combination with round handle inside n° 6750 or n° 6751.
- Finish: aluminium anodised or polyester powder coated in more than 450 RAL colours.
- Installation instructions: cut out the indicated opening in the vent section and fix it to the round handle from the inside.
- The finger pull is non-handed.

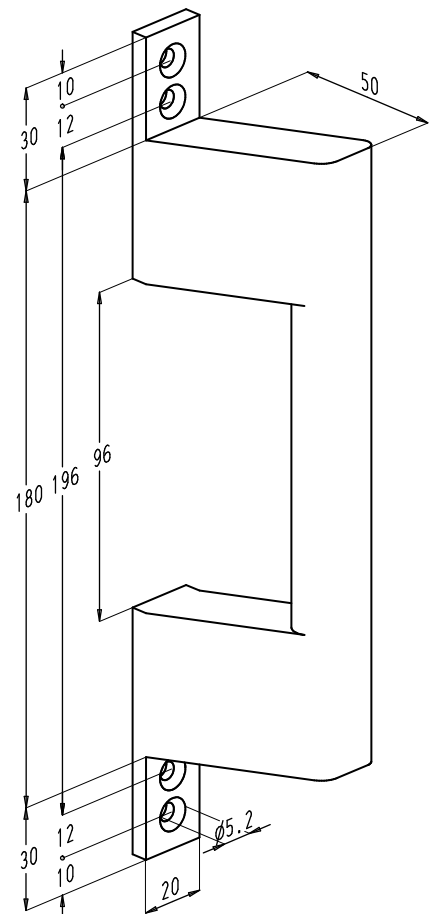


## 7. Fixed handles

### 7.1. Fixed handle n° 663



n° 663 VI

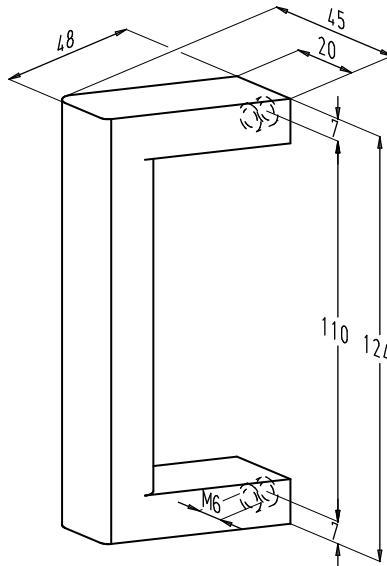


n° 663

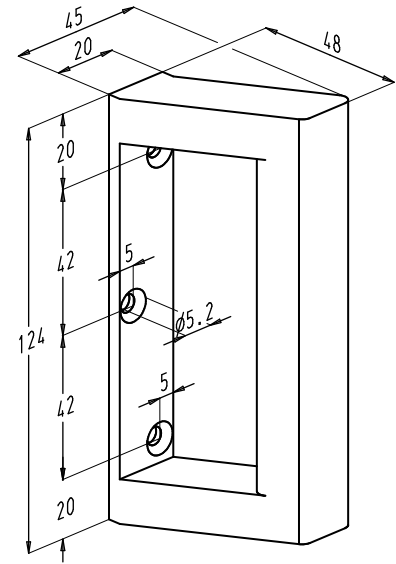
- The fixed handle n° 663 with visible fixing is generally mounted on the inside of the sliding door. The fixed handle n° 663 VI with invisible fixing is generally placed at the outside.
- Finish: aluminium anodised or polyester powder coated in more than 450 RAL colours.
- The handles are non-handed.



## HOOK LOCKS

**7.2. Fixed handle n° 660**

n° 660 VI



n° 660

- The fixed handle n° 660 has visible fixings and the fixed handle n° 660 VI has invisible fixings.
- Finish: aluminium anodised or polyester powder coated in more than 450 RAL colours.