



SLIDING DOORS



L13.08
**EDGE DOOR HANDLES
FOR PENTA-LOCK**

01.11.2019



EDGE DOOR HANDLES FOR PENTA-LOCK

CONTENTS

1. General characteristics	L13.08.03
1.1. General	L13.08.03
1.2. Edge Standard door handles	L13.08.04
1.3. Edge Security door handles	L13.08.05
2. Edge Standard door handles	L13.08.06
3. Edge Security door handles (SKG**)	L13.08.07
4. Edge* Polaris door handles	L13.08.09
5. Square spindles V18-... and V38-...	L13.08.10
6. Screw lengths	L13.08.11
7. Profile preparations	L13.08.12
7.1. Edge Standard door handles	L13.08.12
7.2. Edge Security door handles	L13.08.12
8. Fixed door handles and finger pulls	L13.08.13
8.1. Edge Standard door handle	L13.08.13
8.2. Edge Standard long backplate	L13.08.14
8.3. Edge Security long backplate	L13.08.15
8.4. Edge finger pull n° 82791L VI	L13.08.16



1. General characteristics

1.1. General

- The Edge door handles with modern design create an aesthetic look with minimalistic and timeless design, without sacrificing versatility and functionality.
- The door handles are available as Standard and Security version.
- This exclusive design has been extended to the range of window handles as well as to the range of door handles for doors. In this way, a uniform look and seamless integration in any architectural style is obtained. For more information about these products we refer to the relevant chapters.
- The door handle with built-in click system enables rotating over 360° in 4 steps of 90°.
- The door handles are non-handed.
- The door handles are available without cylinder hole.
- The square spindle (\varnothing 8 mm) in steel zinc plated must be ordered separately.
- Explanation codes:
 - C = without cylinder hole
 - L = on a long backplate
 - VI = with concealed fixing



Edge Standard



Edge Security

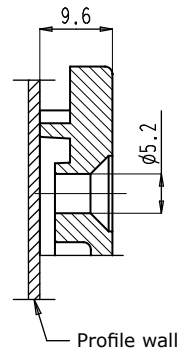


EDGE DOOR HANDLES FOR PENTA-LOCK

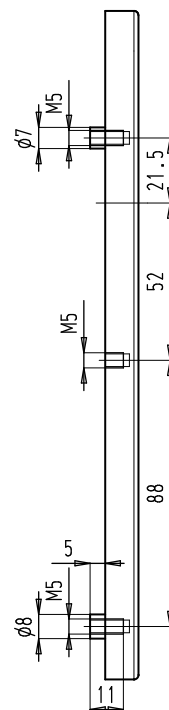
1.2. Edge Standard door handles

- The door handles are available with visible or with blind (VI) fixing holes. Due to the aluminium cover the fixing screws are always concealed. The VI door handle has the advantage that both door handles can be screwed to each other.
- High-quality materials:
 - door handle: aluminium
 - long backplate: zinc alloy
 - cover: aluminium
 - finish:
 - anodised in natural aluminium colour and in various bronze shades
 - polyester powder coated in more than 450 RAL colours
- The door handles have a high corrosion resistance grade 5 (480h) in accordance with the European standard EN1670.

Visible fixing



VI fixing



- The door handles meet the European standard EN1906:2012 and obtained the following classification code:

Category of use	Durability	Door mass	Fire resistance	Safety	Corrosion resistance	Security	Type of operation
4	7	-	0	0	5	0	A



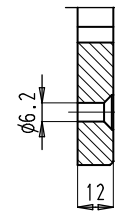
EDGE DOOR HANDLES FOR PENTA-LOCK

1.3. Edge Security door handles

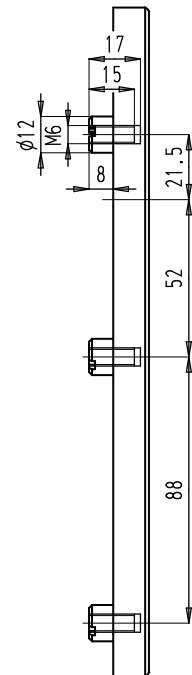
- The Edge Security door handles are high security handles with a long backplate in solid aluminium which makes the cylinder practically unreachable and the long backplate hard to break.
- Two stars are awarded to the Edge Security external door handles by the SKG. These door handles are provided with blind fixing holes (VI version).
- The concealed fixing holes are suitable for screws M6. The fixing holes on the internal side are visible.
- High-quality materials:
 - door handle: aluminium
 - long backplate: aluminium
 - finish:
 - anodised in natural aluminium colour and in various bronze shades
 - polyester powder coated in more than 450 RAL colours
- The door handles have a high corrosion resistance grade 5 (480h) in accordance with the European standard EN1670.



Visible fixing



VI fixing



- The door handles meet the European standard EN1906:2012 and obtained the following classification code:

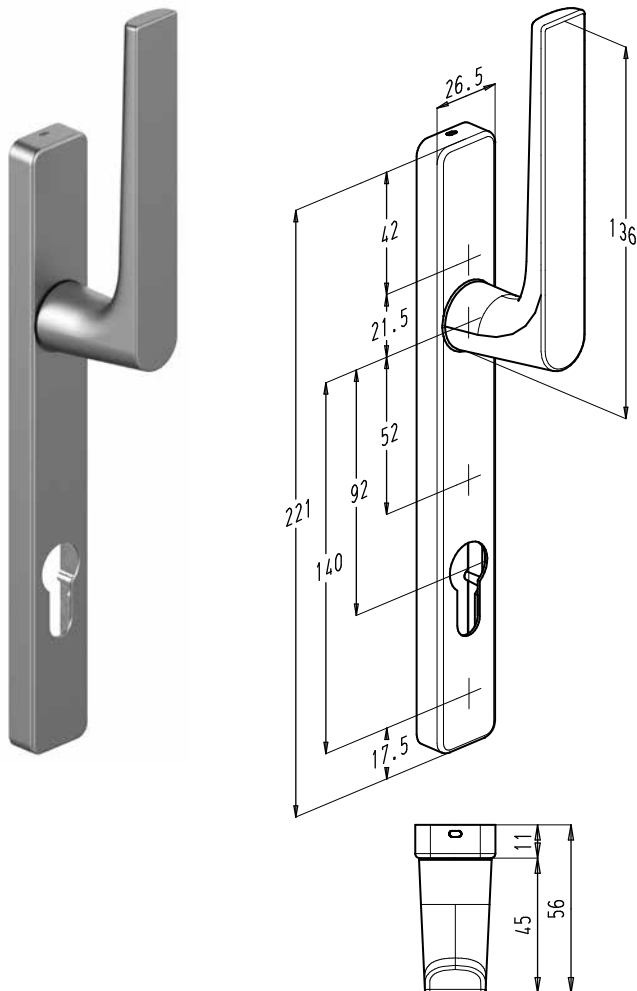
Category of use	Durability	Door mass	Fire resistance	Safety	Corrosion resistance	Security	Type of operation
4	7	-	0	0	5	1	A



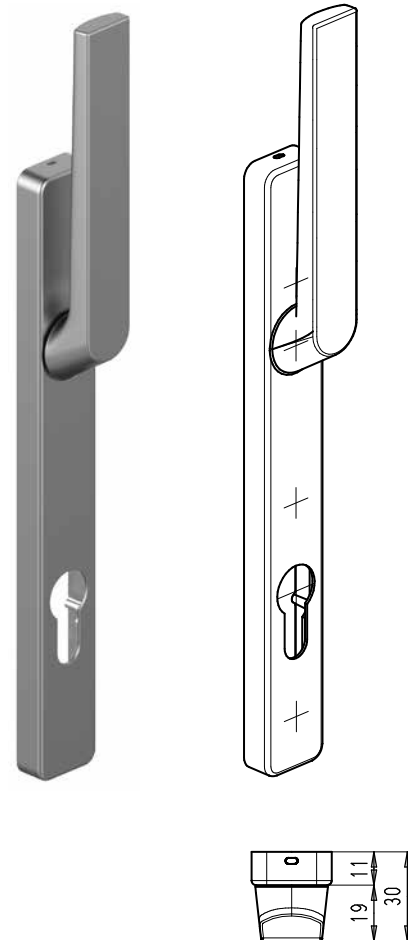
EDGE DOOR HANDLES FOR PENTA-LOCK

2. Edge Standard door handles

Standard door handles



Roller shutter handles



Article n°	Description
82600L	Internal door handle
82600L VI	External door handle
82600CL	Internal door handle
82600CL VI	External door handle

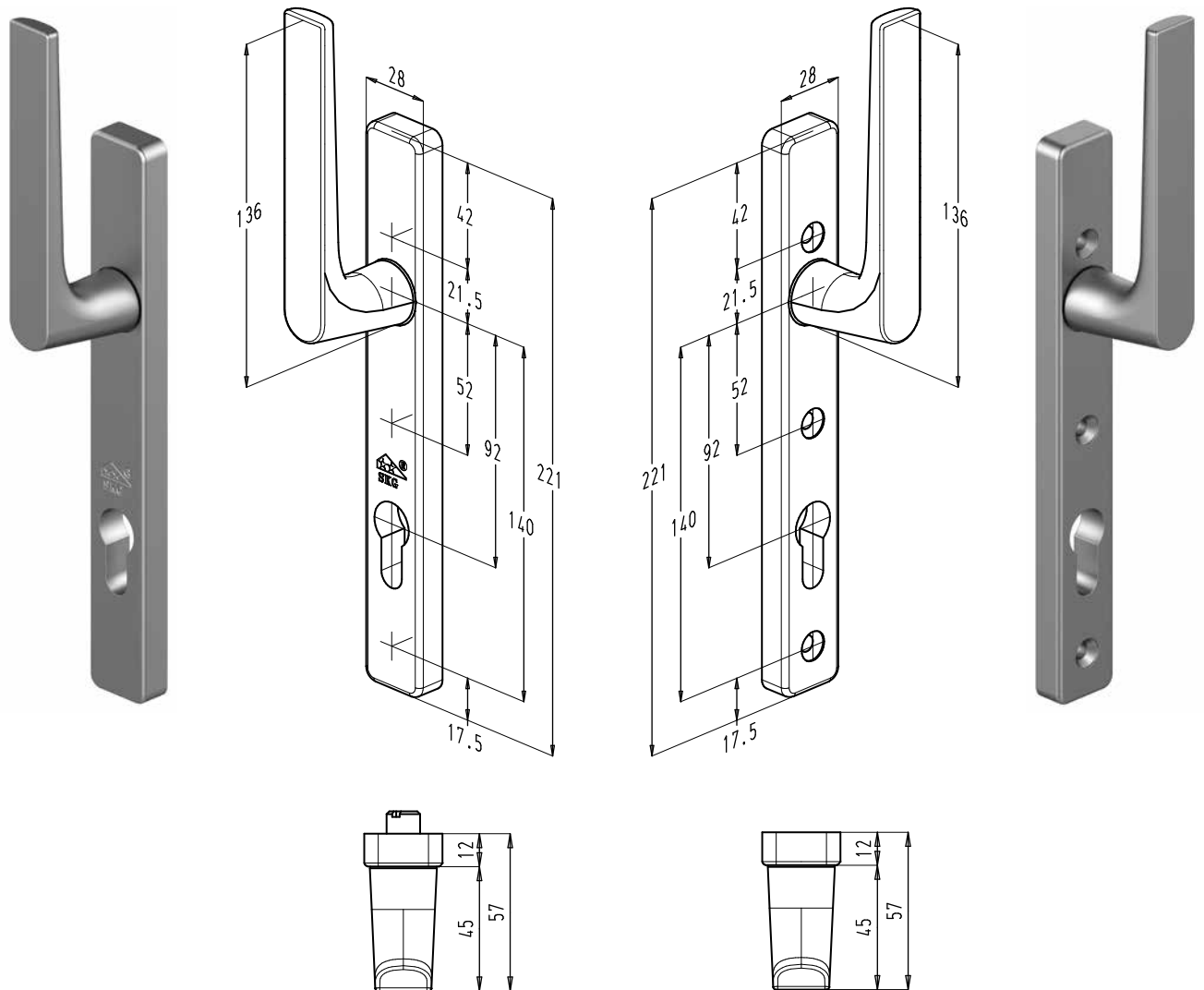
Article n°	Description
82602L	Internal door handle
82602L VI	External door handle
82602CL	Internal door handle
82602CL VI	External door handle



EDGE DOOR HANDLES FOR PENTA-LOCK

3. Edge Security door handles (SKG)**

Standard door handles

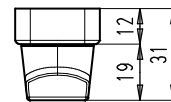
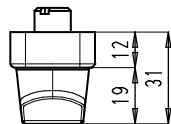
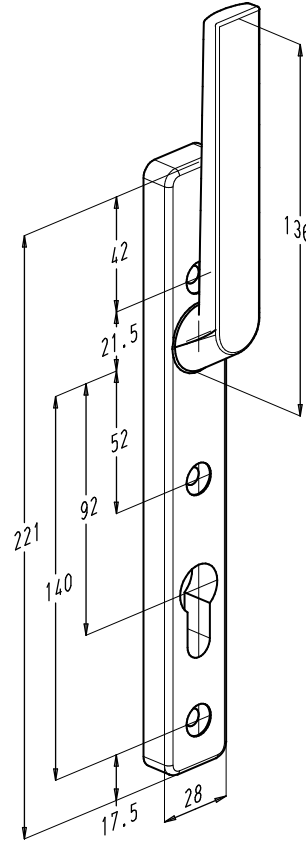
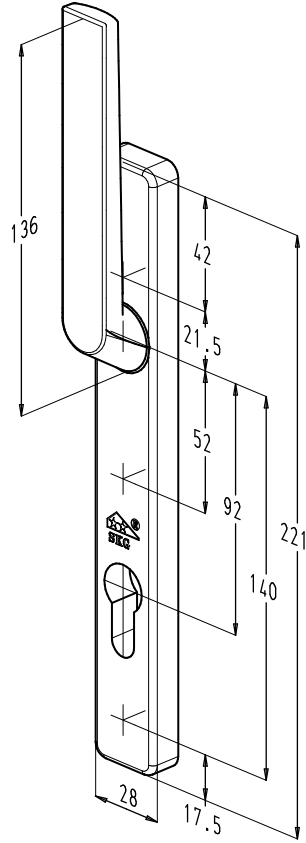


Article n°	Description
82740L	Internal door handle
82740L VI	External door handle
82740CL	Internal door handle
82740CL VI	External door handle



EDGE DOOR HANDLES FOR PENTA-LOCK

Roller shutter handles



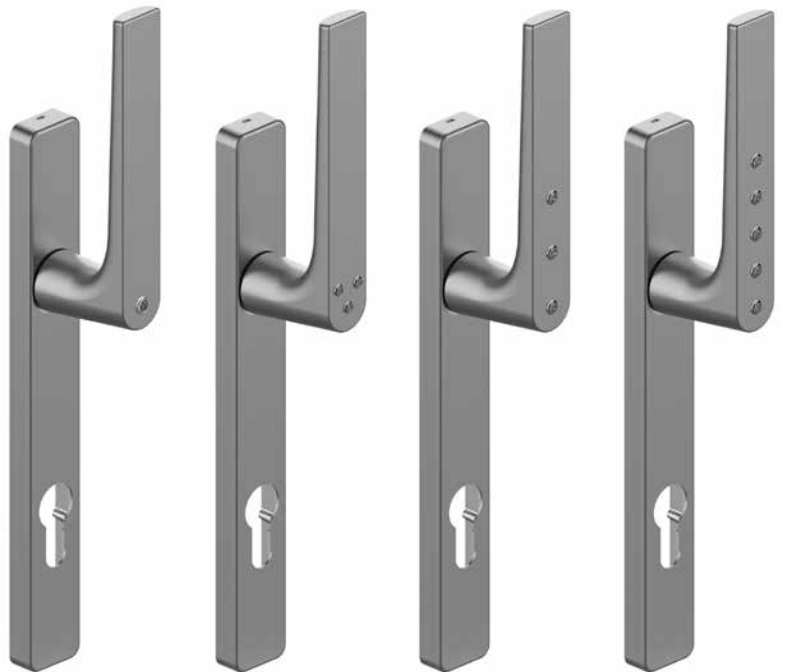
Article n°	Description
82742L	Internal door handle
82742L VI	External door handle
82742CL	Internal door handle
82742CL VI	External door handle



4. Edge* Polaris door handles

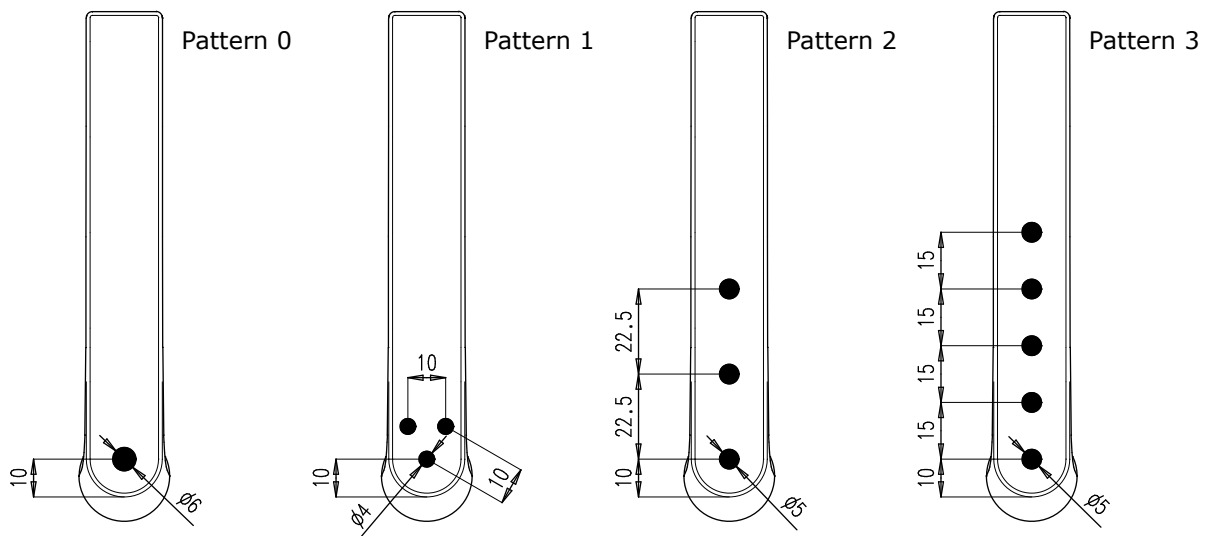
General

- On request, the grip of a number of Edge door handles can be provided with gemstones in 4 different patterns.
- This finish is only applied on the Edge door handles at the internal side.
- The gemstones are possible in white and blue.
- Example: door handle n° 82600L.



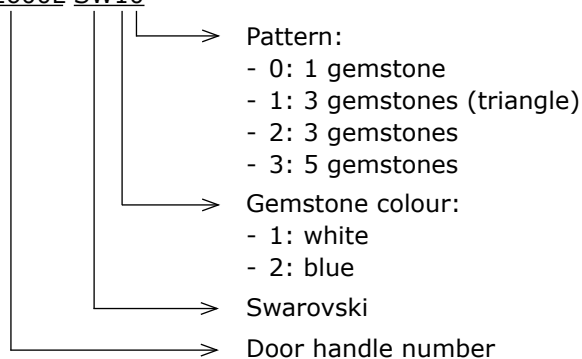
Patterns

- The patterns are identical for all Edge door handles that can be provided with gemstones.



Encoding

Example: **82600L-SW10**

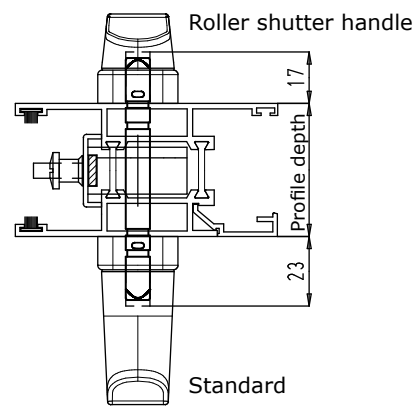
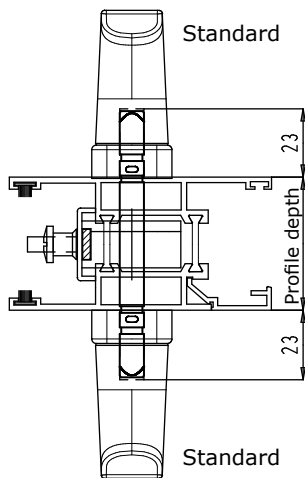






EDGE DOOR HANDLES FOR PENTA-LOCK

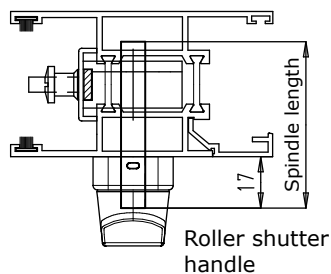
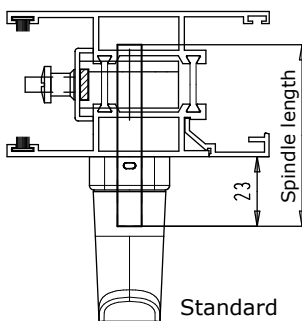
5. Square spindles V18-... and V38-...

- The square spindle in steel zinc plated must be ordered separately.
- The square spindles are also available in large scalement package (G) per 50 pieces.
- The determination of the spindle length is the same for the Edge Standard and the Edge Security door handles.
- Order tables:

With both internal and external door handles

Order code		Spindle length	Profile depth 
Per piece	Large scalement package		
V38-80	GV38-80	80 mm	34-42 mm
V38-88	GV38-88	88 mm	42-50 mm
V38-96	GV38-96	96 mm	50-58 mm
V38-104	GV38-104	104 mm	58-66 mm
V38-112	GV38-112	112 mm	66-74 mm

Order code		Spindle length	Profile depth 
Per piece	Large scalement package		
V38-80	GV38-80	80 mm	40-48 mm
V38-88	GV38-88	88 mm	48-56 mm
V38-96	GV38-96	96 mm	56-64 mm
V38-104	GV38-104	104 mm	64-72 mm
V38-112	GV38-112	112 mm	72-80 mm

With only an internal door handle

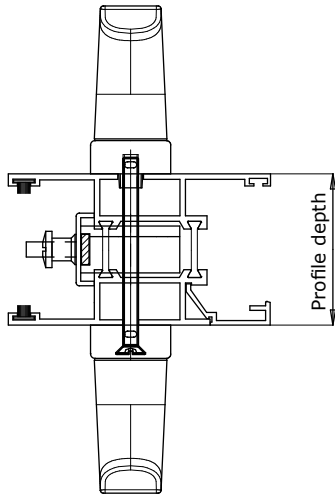
Order code		Spindle length
Per piece	Large scalement package	
V18-60	GV18-60	60 mm
V18-65	GV18-65	65 mm
V18-70	GV18-70	70 mm
V18-75	GV18-75	75 mm
V18-80	GV18-80	80 mm
V18-85	GV18-85	85 mm
V18-90	GV18-90	90 mm
V18-95	GV18-95	95 mm
V18-100	GV18-100	100 mm



EDGE DOOR HANDLES FOR PENTA-LOCK

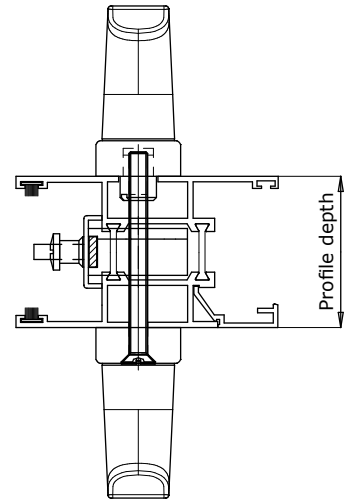
6. Screw lengths

Standard door handles



Screws DIN 965		
Standard handles	Profile depth	Security handles
M5x55	40-45 mm	M6x60
M5x60	45-50 mm	M6x65
M5x65	50-55 mm	M6x70
M5x70	55-60 mm	M6x75
M5x75	60-65 mm	M6x80
M5x80	65-70 mm	M6x85
M5x85	70-75 mm	M6x90
M5x90	75-80 mm	M6x95
M5x95	80-85 mm	M6x100
M5x100	85-90 mm	M6x105
M5x105	90-95 mm	M6x110
M5x110	95-100 mm	M6x115

Security door handles



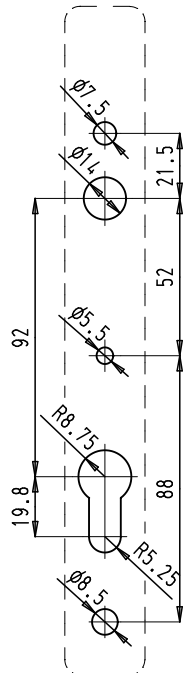


EDGE DOOR HANDLES FOR PENTA-LOCK

7. Profile preparations

7.1. Edge Standard door handles

External side (VI)



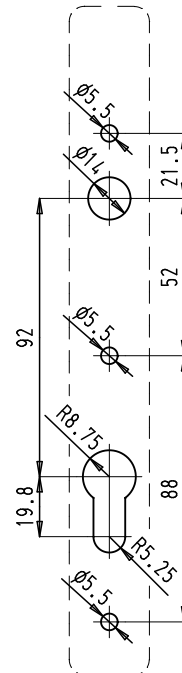
Attention!

The drill holes for the top and bottom fixing hole are different for the VI-version.

Note:

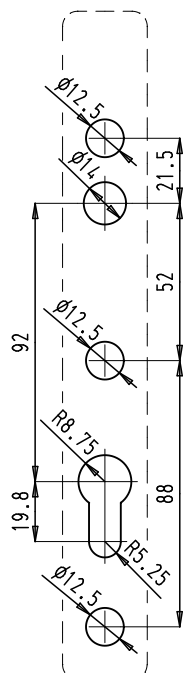
The milling for the cylinder hole is not necessary for the C-version.

Internal side



7.2. Edge Security door handles

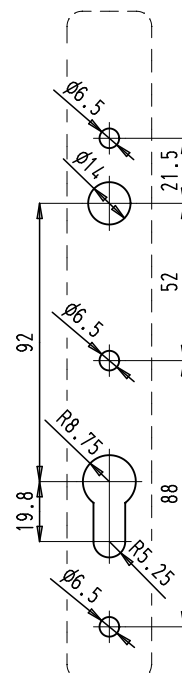
External side (VI)



Note:

The milling for the cylinder hole is not necessary for the C-version.

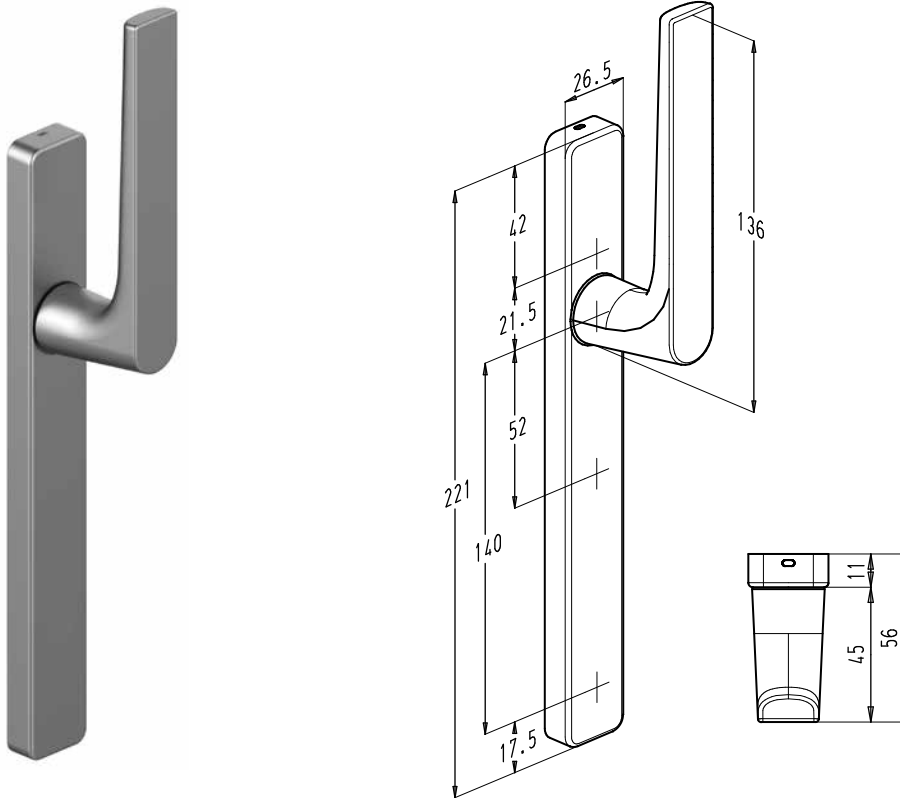
Internal side





8. Fixed door handles and finger pulls

8.1. Edge Standard door handle

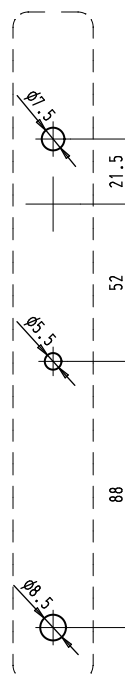


Article n°	Description
82640FCL	Internal door handle
82640FCL VI	External door handle

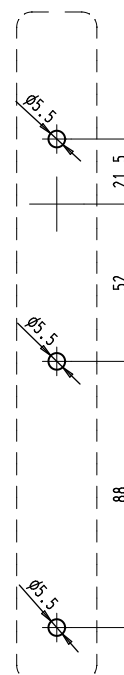
• Characteristics: see page L13.08.03 and L13.08.04.

• Profile preparations:

External door handles (VI)



Internal door handles



Attention !

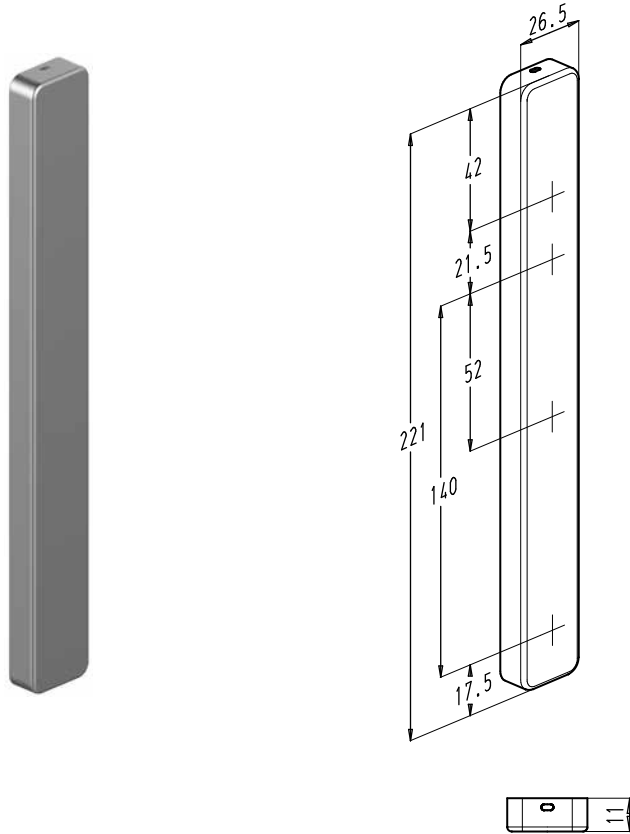
The drill holes for the top and bottom fixing hole are different for the VI version.



EDGE DOOR HANDLES FOR PENTA-LOCK

8.2. Edge Standard long backplate

- Characteristics: see page L13.08.03 and L13.08.04.



Article n°	Description
82608CL	Internal backplate
82608CL VI	External backplate

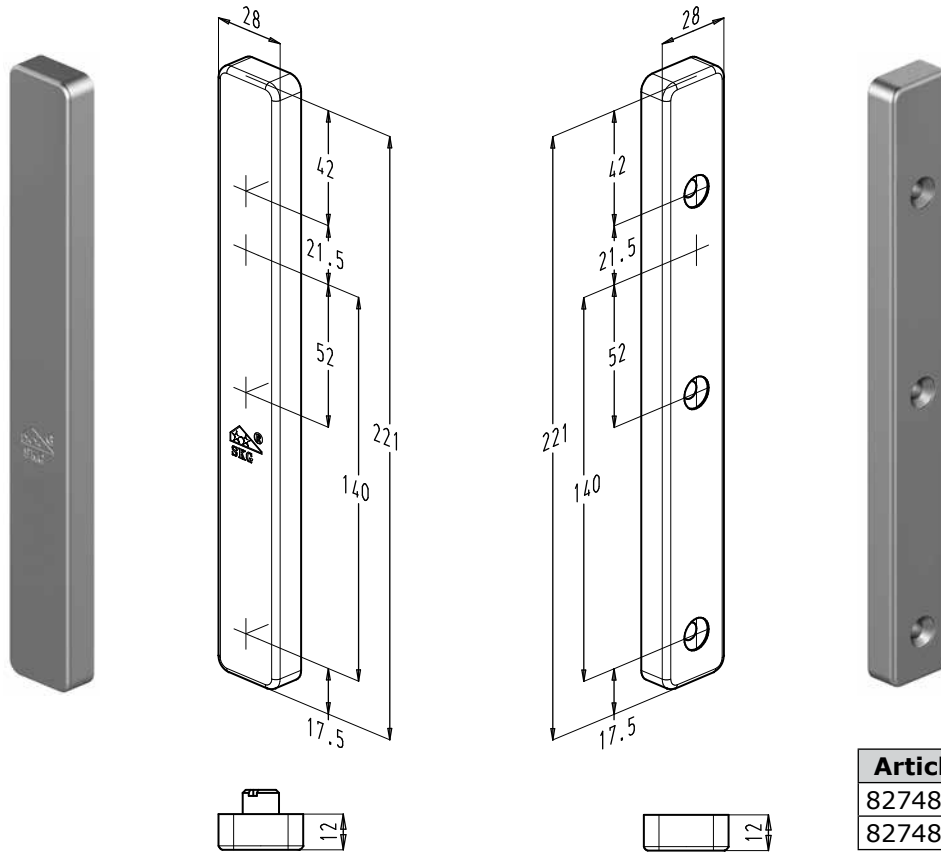
- Profile preparations: see page L13.08.13.



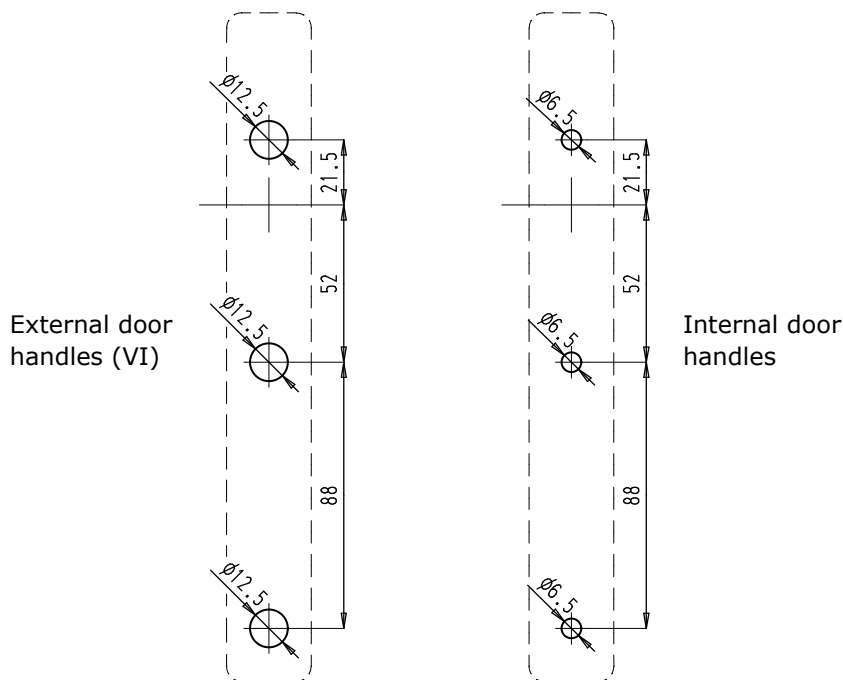
EDGE DOOR HANDLES FOR PENTA-LOCK

8.3. Edge Security long backplate

- Characteristics: see page L13.08.03 and L13.08.05.



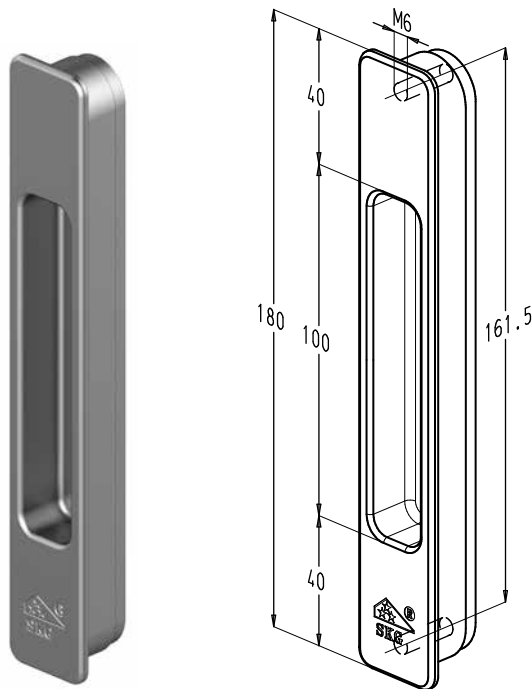
- Profile preparations





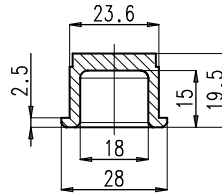
EDGE DOOR HANDLES FOR PENTA-LOCK

8.4. Edge finger pull n° 82791L VI

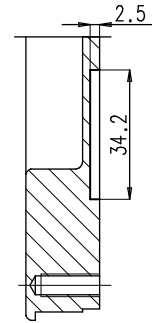


n° 82791L VI

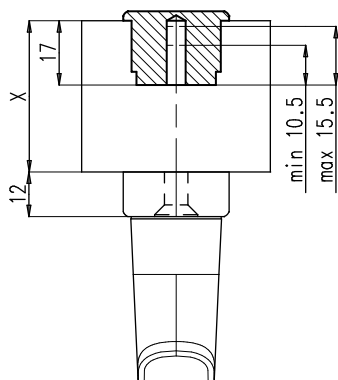
Cross section of the grip.



Clearance cavity for half cylinder.



- The finger pull is developed for Penta-Lock and is combined with the Edge Security door handle on the internal side: see page L13.08.07.
- The finger pull with ergonomic grip is mounted at the external side and is provided with invisible fixing holes.
- Finish: aluminium, anodised or polyester powder coated in more than 450 RAL colours.
- The finger pull is **tested by SKG, 3 stars**.
- The finger pull and door handle are fixed to each other with screws M6 DIN 965.



Profile depth X	Screw length
45-50 mm	55 mm
50-55 mm	60 mm
55-60 mm	65 mm
60-65 mm	70 mm
65-70 mm	75 mm
70-75 mm	80 mm
75-80 mm	85 mm
80-85 mm	90 mm
85-90 mm	95 mm

Profile preparations

